

50 Hz



e-LNE Series

SINGLE IN-LINE ELECTRIC PUMPS
EQUIPPED WITH **IE3** MOTORS

ErP 2009/125/EC

Cod. 191007431 Rev. D Ed.04/2015

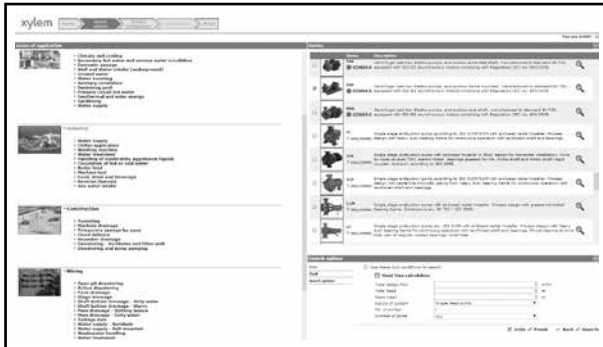
 **LOWARA**
a xylem brand

Xylect™

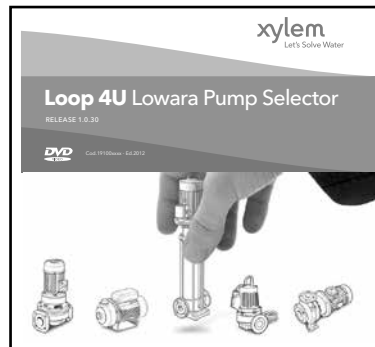
Xylect™ is a pump solution software with an extensive online database of product information across the entire range of pumps and related products, with multiple search options and helpful project management facilities. The system holds up-to-date product information on thousands of products and accessories.

Xylect™ can be available:

On the website – www.xylect.com



On DVD – Loop 4U



On Mobile Apps



For more information, please, see page 123-124.

Ecodesign Directive (ErP)

Over last decade the European Commission with the 'Energy Efficiency Plan' pushed the European Parliament and the Council to adopt specific measures to the purpose of reducing energy consumption and further negative environmental impacts.

Through the Directives 2005/32/EC, energy-using products (EuP), and 2009/125/EC, energy-related products (ErP) a framework for **ecodesign** requirements was established.

The Commission Regulations (EC) No 640/2009 and (EU) No 4/2014 have implemented two directives with regard to ecodesign requirements for **three-phase 50 Hz electric motors** placed on the market and put into service inside EU zone as self-alone units or integrated in other products.

This regulation states that motors must have **efficiency level IE3** (or IE2 + Variable Speed Drive) from **1st January 2015 for 7,5 to 375 kW** rated powers and from **1st January 2017 for 0,75 to 375 kW** ones.

The Commission Regulation (EU) No 547/2012 has implemented two directives with regard to ecodesign requirements for some types of **clean water pumps** placed on the market and put into service inside EU zone as self-alone units or integrated in other products.

This regulation states that water pumps shall have **index MEI 0.4** as minimum from **1st January 2015**. That index comes from a dedicated formula which considers hydraulic efficiency values at 'best efficiency point' (BEP), 75 % of the flow at BEP (Part load – PL) and 110 % of the flow at BEP (Over load – OL).

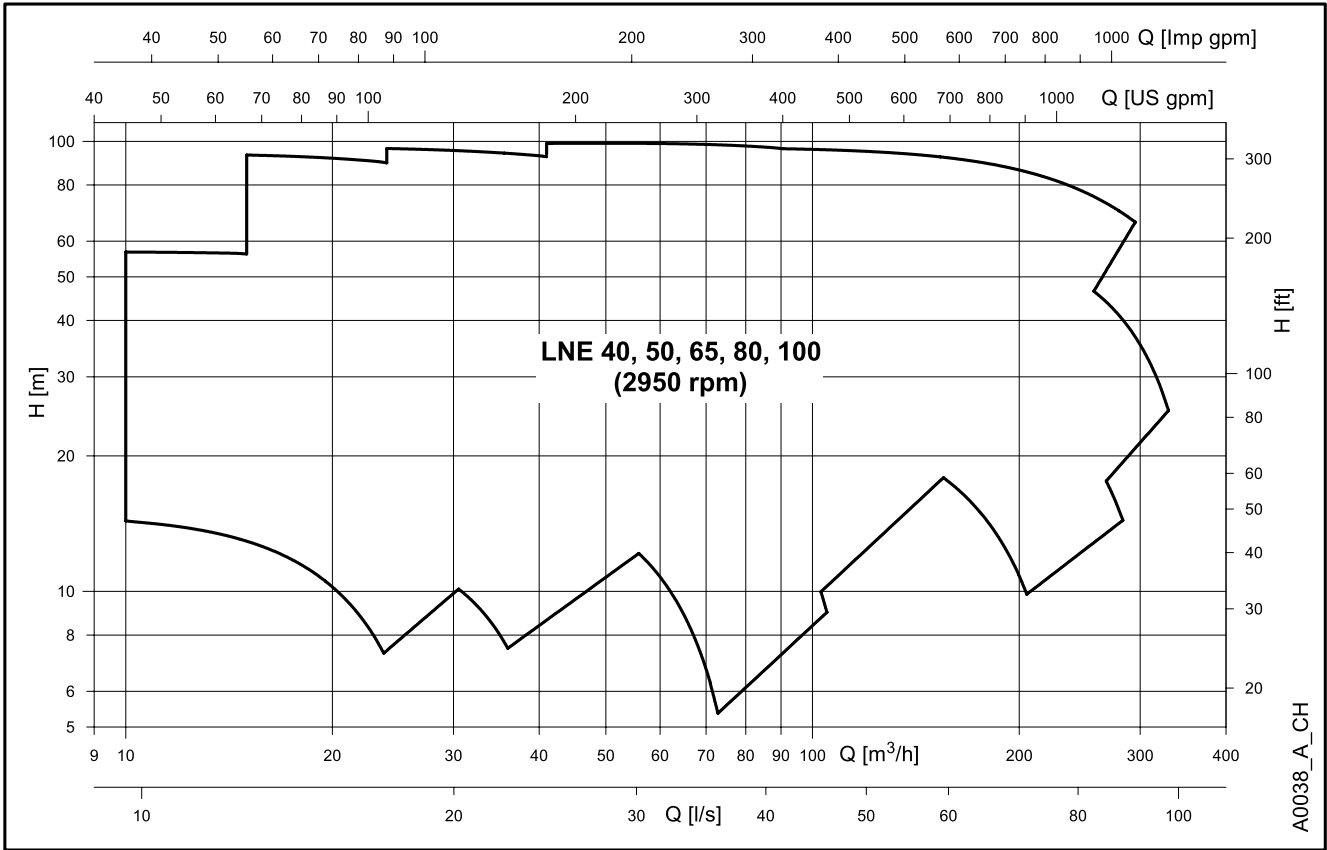
The Lowara e-LNE series, for the models in the scope of the regulations above, is ErP compliant, having an index MEI equal or higher than 0,4 and IE3 motor efficiency.

CONTENTS

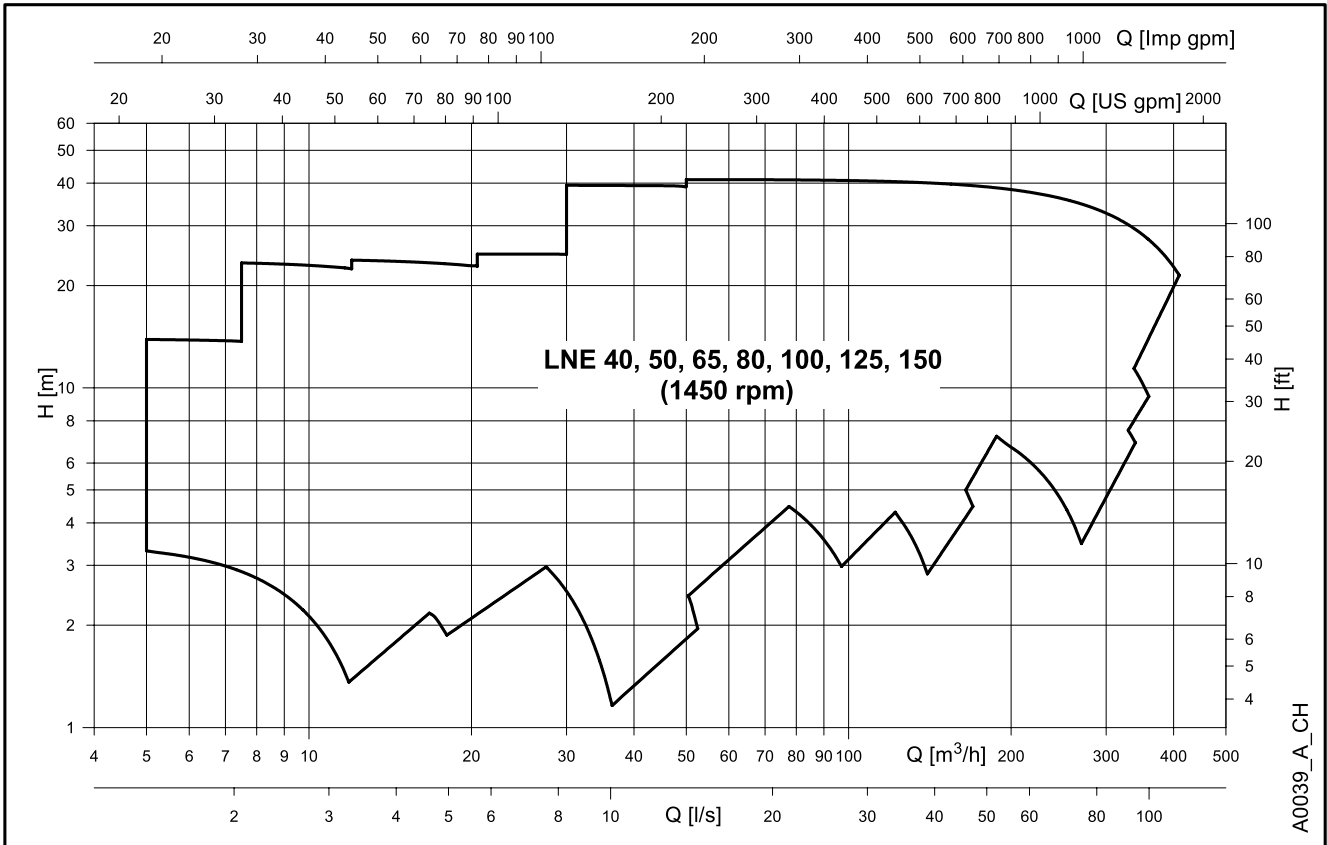
General Introduction	5
Applications	6
Identification code	8
Rating plate	9
List of Models at 50 Hz, 2 poles	10
List of Models at 50 Hz, 4 poles	11
Pump cross-section and main components	12
Mechanical seals	14
Motors (ErP 2009/125/EC).....	15
Pumps (ErP 2009/125/EC).....	21
Minimum efficiency index (MEI)	22
Hydraulic performance range at 50 Hz, 2 poles	23
Table of hydraulic performances at 50 Hz, 2 poles	24
Hydraulic performance range at 50 Hz, 4 poles	26
Table of hydraulic performances at 50 Hz, 4 poles	27
Operating characteristics at 50 Hz, 2 poles	31
Operating characteristics at 50 Hz, 4 poles	49
Dimensions and weights	75
LNE..H (e-LNE with HYDROVAR)	91
Accessories	111
Report and declarations	115
Technical appendix	117

e-LNE SERIES

HYDRAULIC PERFORMANCE RANGE AT 50 Hz, 2 POLES



HYDRAULIC PERFORMANCE RANGE AT 50 Hz, 4 POLES



e-LNE SERIES GENERAL INTRODUCTION

The new **Lowara e-LNE Series** is the result of the close collaboration between our customers and us; the new range has been redesigned and improved to meet the Commercial Building Services (CBS) requirements, in terms of performances and energy saving.

In addition the new **Lowara e-LNE Series** can be customized to meet the needs of the Industry, keeping the best-in-class quality in production that affords our pumps continuous reliability and robustness in operation.

Pump design

The new **Lowara e-LNE Series** is a single-impeller centrifugal pump with in-line suction and delivery flanges. The e-LNE Series has a "Back pull-out" design (impeller, adapter, and motor can be extracted without disconnecting the pump body from the piping system).

The pumps have cast iron casing as standard; the impeller standard material is cast iron but is also available in bronze and stainless steel.

The pumps are equipped with interchangeable mechanical seals and IE3 efficiency motors; and are available in the following constructions:

Extended shaft

Close-coupled by means of an adaptor bracket with an impeller keyed directly to the special motor shaft extension.



Stub shaft

Rigid-coupled with a bracket, an adaptor and a rigid coupling keyed to the standard motor shaft extension.



Hydraulic specifications

- Maximum delivery: **305** m³/h (2 poles range).
410 m³/h (4 poles range).
- Maximum head: **95** m (2 poles range).
41 m (4 poles range).
- Hydraulic performance compliant with ISO 9906:2012 – Grade 3B.
Grade 2B and 1B available upon request.
- Fluid temperature range:
 - standard version (with mechanical seal BQ1EGG-WA and EPDM gasket) **-25 to +120 °C**
 - versions on request (depending on mechanical seal and gasket) **-20* or -25 to +120 or +140 °C**.
- Maximum operating pressure:
 - standard version (with mechanical seal BQ1EGG-WA) **16 bar @ 90 °C** and **10 bar @ 120 °C**
 - versions on request (with other mechanical seals) **16 bar @ 120 °C** and **14,9 bar @ 140 °C**

* Fluoro-elastomer: FPM (old ISO), FKM (ASTM & new ISO).

Motor specifications

- Squirrel cage in short circuit enclosed construction with external ventilation (TEFC).
- 2-pole and 4-pole ranges.
- **IP55** protection degree as motor (EN 60034-5), IPX5 as electro-pump (EN 60529).
- Performances according to EN 60034-1.
- **IE3** efficiency level (three-phase 0,75 to 375 kW).
- **155 (F)** insulation class.
- Standard voltage:
 - 1 x 220-240 V 50 Hz for power up to 2,2 kW
 - 3 x 220-240/380-415 V 50 Hz for power up to 3 kW.
 - 3 x 380-415/660-690 V 50 Hz for power above 3 kW.
- Maximum ambient temperature: 40 °C.

Note

- Anti-clockwise rotation when facing pump's suction port.
- Pump does not include counter-flanges.

List of the Directives

- Machinery Directive MD 2006/42/EC
- Electromagnetic Compatibility Directive EMCD 2004/108/EC
- Ecodesign requirements for energy-related products ErP 2009/125/EC Regulation (EC) No 640/2009, Regulation (EU) No 4/2014, Regulation (EU) No 547/2012

and the main technical norms

- EN 809, EN 60204-1 (safety)
- EN 1092-2 (cast iron flanges)
- EN 61000-6-1, EN 61000-6-3
- EN 60034-30:2009, IEC 60034-30-1:2014 (electric motors)

e-LNE SERIES COMMERCIAL BUILDING SERVICES (CBS) APPLICATIONS & BENEFITS

Applications

The **Lowara e-LNE** Series is suitable for many different applications demanding variable duty points, reliable, and efficient products in cost saving operation.

The Lowara e-LNE Series can be used for the following CBS applications:

- **HVAC**
 - Liquid transfer in heating systems.
 - Liquid transfer in air-conditioning systems.
 - Liquid transfer in ventilation systems.
- **Water Supply**
 - Pressure boosting in commercial buildings.
 - Irrigation systems.
 - Water transfer for green houses.



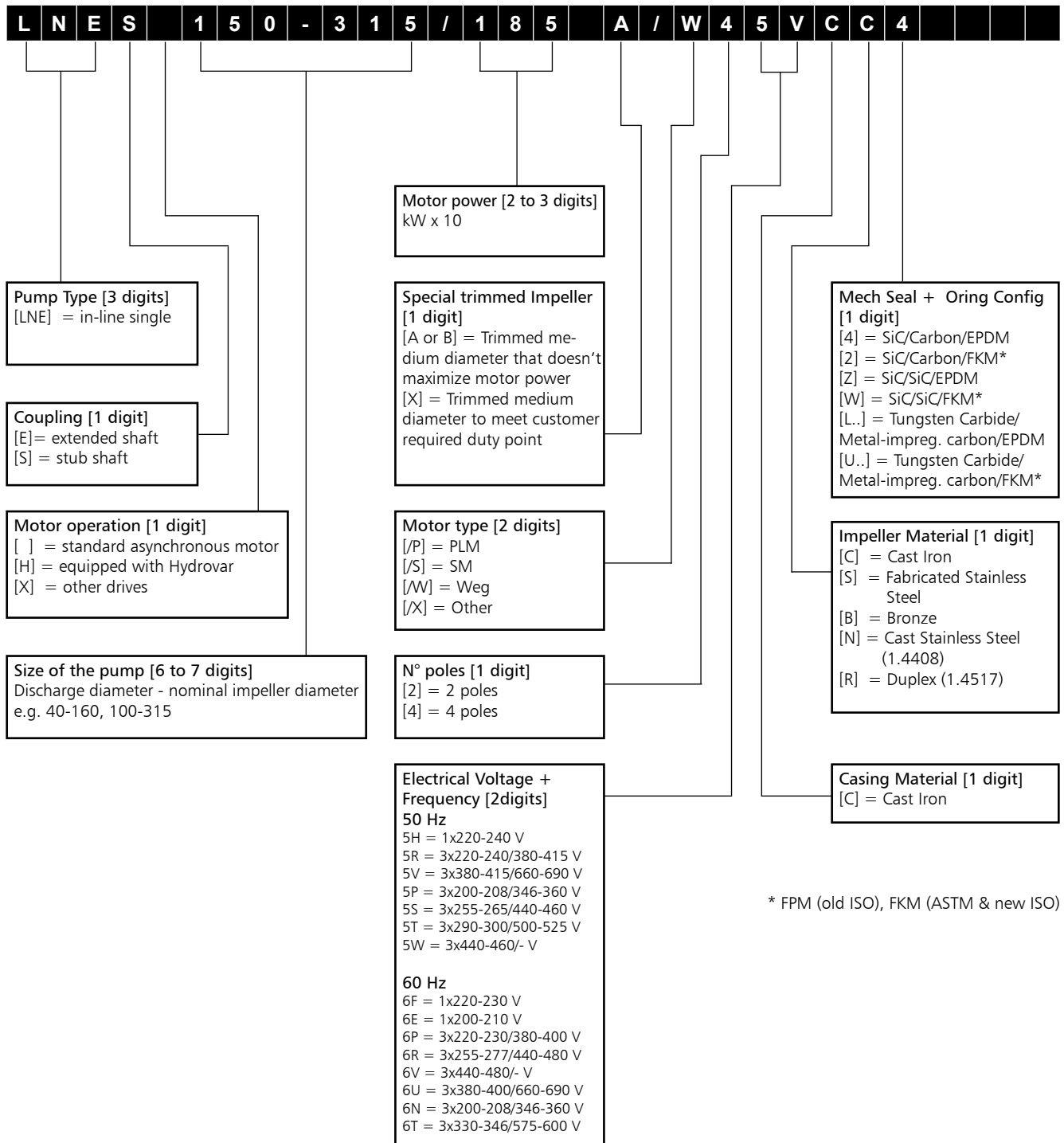
Benefits

The Lowara e-LNE Series permit to achieve the following benefits.

- **Performances:** the e-LNE pumps are ErP 2015 compliant, equipped with IE3 motors, and with hydraulic target points and coverage that satisfy the needs of CBS applications. The standard full cast iron version with PN16, 120 °C maximum fluid temperature, and EPDM elastomer is exactly what the CBS Market needs.
- **Reliability:** robust construction and high-quality standards in production, interchangeable mechanical seals and wear rings, guarantee a continuous operation without faults and a shorter down time for maintenance.
- **Versatility:** beside the standard offer, the Lowara e-LNE series is available in different construction as well as with different material configurations for impellers and elastomers. That helps in addressing a wide range of applications.
- **Total cost ownership:** the best-in-class hydraulic and electric efficiency, the HYDROVAR-equipped versions, the easy and quick maintenance, allow to reduce the operation and maintenance cost and to save energy when the pump is working or is at rest.
- **Pre-post sales support:** we are continuously working close to our customers to help them in selecting the right pump for the specific application. A user-friendly selection software is available on the website, on DVD, or on Apps for mobile phones. Experienced engineers are fully dedicated to big projects.



e-LNE SERIES IDENTIFICATION CODE



* FPM (old ISO), FKM (ASTM & new ISO)

EXAMPLES

LNES 125-160/22/W45RCC4

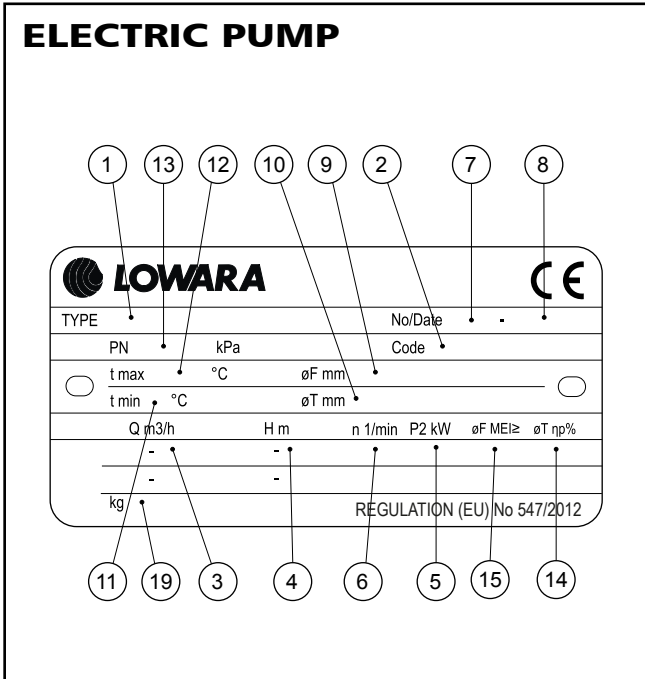
In-line single, electric pump stub shaft coupling, DN125 nominal discharge port, 160 mm nominal impeller diameter, 2,2 kW rated motor power, WEG IE3 model, 4 pole, 50 Hz 220-240/380-415 V, cast iron casing, cast iron impeller, Silicon Carbide/Carbon/EPDM mechanical seal.

LNES 150-200/55/W45VCB4

In-line single, electric pump stub shaft coupling, DN150 nominal discharge port, 200 mm nominal impeller diameter, 5,5kW rated motor power, WEG IE3 model, 4 pole, 50 Hz 380-415/660-690 V, cast iron casing, bronze impeller, Silicon Carbide/Carbon/EPDM mechanical seal.

**e-LNE SERIES
RATING PLATE**

ELECTRIC PUMP



LOWARA		CE	
TYPE	No/Date		.
PN	kPa	Code	
t max °C	øF mm	øT mm	
t min °C			
Q m ³ /h	H m	n 1/min	P2 kW
			øF MEI ≥ øT ηp%
kg	REGULATION (EU) No 547/2012		

LEGEND

- | | |
|--|--|
| <ul style="list-style-type: none"> 1 - Pump / electric pump unit type 2 - Pump code / electric pump unit code 3 - Flow range 4 - Head range 5 - Nominal or maximum pump power 6 - Speed 7 - Serial number or order number 8 - Order position number 9 - Full impeller diameter (only filled in for trimmed impellers) | <ul style="list-style-type: none"> 10 - Trimmed impeller diameter (only filled in for trimmed impellers) 11 - Minimum operating liquid temperature 12 - Maximum operating liquid temperature 13 - Maximum operating pressure 14 - Hydraulic efficiency in best efficiency point 15 - Minimum efficiency index MEI (Regulation (EU) No 547/2012) 19 - Weight |
|--|--|

e-LNE SERIES
LIST OF MODELS AT 50 Hz, 2 POLES

SIZE LNE..2	kW	VERSION	
		LNEE	LNES
40-125/11(*)	1,1	•	•
40-125/15(*)	1,5	•	•
40-125/22(*)	2,2	•	•
40-125/30	3	•	•
40-160/30	3	•	•
40-160/40	4	•	•
40-160/55	5,5	•	•
40-200/40	4	•	•
40-200/55	5,5	•	•
40-200/75	7,5	•	•
40-250/92	9,2	•	-
40-250/110A	11	-	•
40-250/110	11	•	•
40-250/150	15	•	•
50-125/15(*)	1,5	•	•
50-125/22(*)	2,2	•	•
50-125/30	3	•	•
50-125/40	4	•	•
50-160/40	4	•	•
50-160/55	5,5	•	•
50-160/75	7,5	•	•
50-200/75	7,5	•	•
50-200/92	9,2	•	-
50-200/110A	11	-	•
50-200/110	11	•	•
50-250/110	11	•	•
50-250/150	15	•	•
50-250/185	18,5	•	•
50-250/220	22	•	•
65-125/30	3	•	•
65-125/40	4	•	•
65-125/55	5,5	•	•
65-125/75	7,5	•	•
65-160/75	7,5	•	•
65-160/92	9,2	•	-
65-160/110A	11	-	•
65-160/110	11	•	•
65-200/110	11	•	•
65-200/150	15	•	•
65-200/185	18,5	•	•
65-250/185	18,5	•	•
65-250/220	22	•	•
65-250/300	30	-	•

• = Available

LNE_models-2p50-en_a_sc

SIZE LNE..2	kW	VERSION	
		LNEE	LNES
80-160/75	7,5	•	•
80-160/92	9,2	•	-
80-160/110A	11	-	•
80-160/110	11	•	•
80-160/150	15	•	•
80-160/185	18,5	•	•
80-200/185	18,5	-	•
80-200/220	22	-	•
80-200/300	30	-	•
80-250/370	37	-	•
100-160/110	11	•	•
100-160/150	15	•	•
100-160/185	18,5	•	•
100-160/220	22	•	•
100-200/220	22	-	•
100-200/300	30	-	•
100-200/370	37	-	•
100-250/370	37	-	•

(*) Models available also in single-phase version.

LEGEND

LNEE : Extended shaft (single version).

LNES : Stub shaft (single version).

e-LNE SERIES
LIST OF MODELS AT 50 Hz, 4 POLES

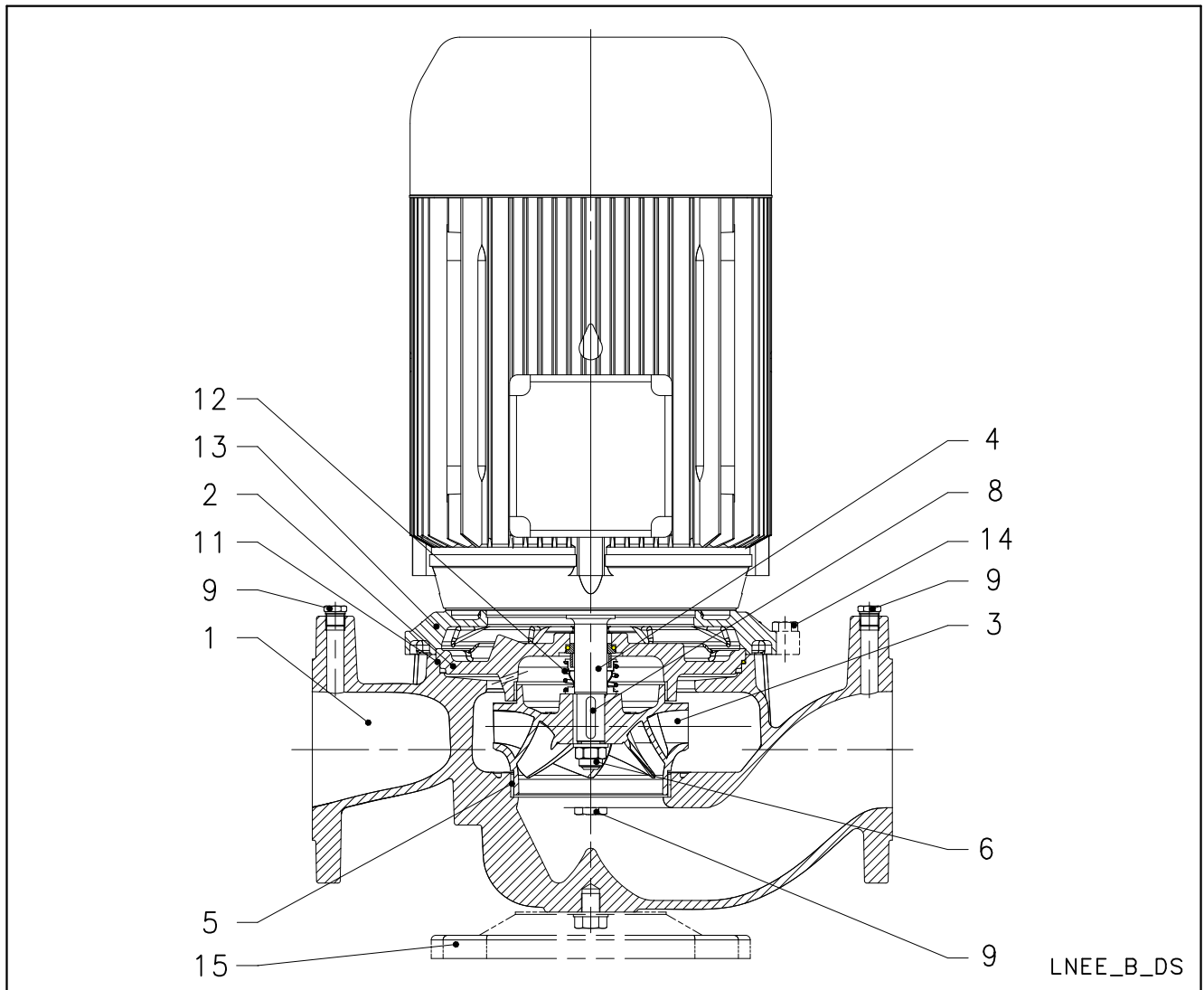
SIZE LNE..4	kW	VERSION	
		LNEE	LNES
40-125/02B	0,25	•	-
40-125/02A	0,25	•	-
40-125/02	0,25	•	-
40-125/03	0,37	•	-
40-160/03	0,37	•	-
40-160/05	0,55	•	•
40-160/07	0,75	•	•
40-200/05	0,55	•	•
40-200/07	0,75	•	•
40-200/11	1,1	•	•
40-250/11	1,1	-	•
40-250/15A	1,5	•	-
40-250/15	1,5	•	•
40-250/22	2,2	•	•
50-125/02A	0,25	•	-
50-125/02	0,25	•	-
50-125/03	0,37	•	-
50-125/05	0,55	•	•
50-160/05	0,55	•	•
50-160/07	0,75	•	•
50-160/11	1,1	•	•
50-200/11A	1,1	•	•
50-200/11	1,1	•	•
50-200/15	1,5	•	•
50-250/15	1,5	•	•
50-250/22A	2,2	•	•
50-250/22	2,2	•	•
50-250/30	3	•	•
65-125/03	0,37	•	-
65-125/05	0,55	•	•
65-125/07	0,75	•	•
65-125/11	1,1	•	•
65-160/11A	1,1	•	•
65-160/11	1,1	•	•
65-160/15	1,5	•	•
65-200/15	1,5	•	•
65-200/22A	2,2	•	•
65-200/22	2,2	•	•
65-250/22	2,2	•	•
65-250/30	3	•	•
65-250/40	4	•	•

SIZE LNE..4	kW	VERSION	
		LNEE	LNES
80-160/11A	1,1	-	•
80-160/15B	1,5	•	-
80-160/11	1,1	-	•
80-160/15A	1,5	•	-
80-160/15	1,5	•	•
80-160/22A	2,2	•	•
80-160/22	2,2	•	•
80-200/22	2,2	-	•
80-200/30	3	-	•
80-200/40	4	-	•
80-250/55A	5,5	-	•
80-250/55	5,5	-	•
80-250/75	7,5	-	•
100-160/15	1,5	•	•
100-160/22A	2,2	•	•
100-160/22	2,2	•	•
100-160/30	3	•	•
100-200/30	3	-	•
100-200/40	4	-	•
100-200/55A	5,5	-	•
100-200/55	5,5	-	•
100-250/55A	5,5	-	•
100-250/55	5,5	-	•
100-250/75	7,5	-	•
100-250/110	11	-	•
125-160/22	2,2	-	•
125-160/30	3	-	•
125-160/40	4	-	•
125-200/55	5,5	-	•
125-200/75	7,5	-	•
125-250/75	7,5	-	•
125-250/110	11	-	•
125-315/150	15	-	•
125-315/185	18,5	-	•
125-315/220	22	-	•
125-315/300	30	-	•
150-200/55	5,5	-	•
150-200/75	7,5	-	•
150-200/110	11	-	•
150-250/110	11	-	•
150-250/150	15	-	•
150-315/185	18,5	-	•
150-315/220	22	-	•
150-315/300	30	-	•
150-315/370	37	-	•

• = Available

LNE_models-4p50-en_a_sc

LNEE SERIES ELECTRIC PUMP CROSS-SECTION AND MAIN COMPONENTS



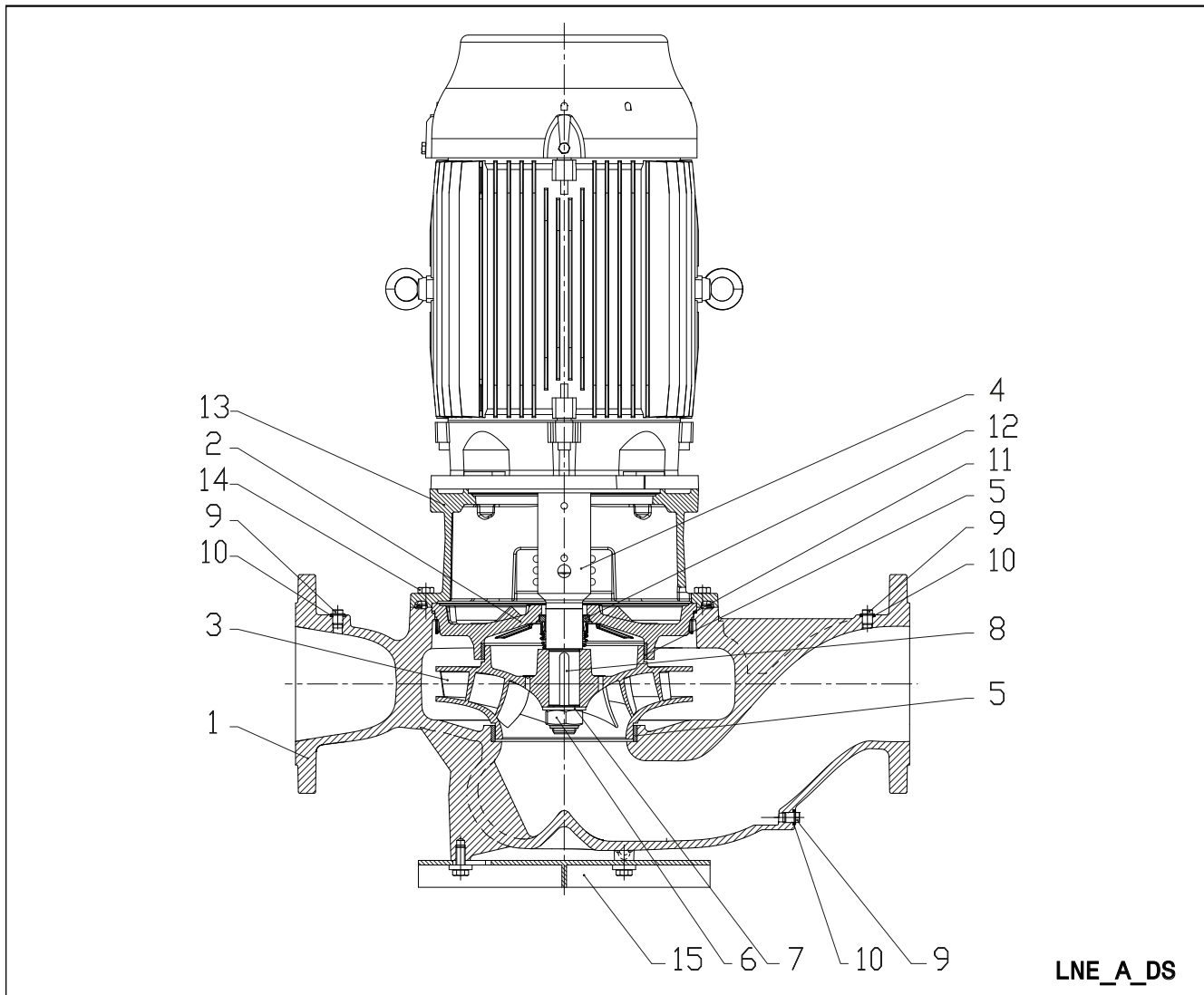
REF. N.	PART	MATERIAL	REFERENCE STANDARDS	
			EUROPE	USA
1	Volute casing	Cast iron	EN 1561 - GJL-250 (JL1040)	ASTM Class 35
2	Casing cover	Cast iron	EN 1561 - GJL-250 (JL1040)	ASTM Class 35
3	Impeller (40, 50, 65)	Stainless steel	EN 10088-1-X2CrNiMo17-12-2 (1.4404)	AISI 316L
	Impeller (80, 100)	Cast iron	EN 1561 - GJL-200 (JL1030)	ASTM Class 30
	Impeller (80, 100)	Bronze	EN 1982 - CuSn10-C (CC480K)	UNS C90700
4	Stub shaft	Stainless steel	EN 10088-1-X2CrNiMo17-12-2 (1.4404)	AISI 316L
5	Wear ring	Stainless steel	EN 10088 - X5CrNi18-10 (1.4301)	AISI 304
6	Impeller lock nut and washer	Stainless steel	EN 10088-1-X5CrNiMo17-12-2 (1.4401)	AISI 316
8	Impeller key	Stainless steel	EN 10088-1-X2CrNiMo17-12-2 (1.4404)	AISI 316L
9	Fill and drain plugs	Nickel-plated brass	EN 12164-CuZn39Pb3 (CW614N)	-
11	O-Ring	EPDM (standard version)		
12	Mechanical seal	Carbon / Silicon carbide / EPDM (standard version)		
13	Motor adapter *	Aluminium	EN 1706-AC-AISI11Cu2 (Fe) (AC46100)	-
	Motor adapter	Cast iron	EN 1561 - GJL-250 (JL1040)	ASTM Class 35
14	Volute casing fastening bolts and screws	Carbon steel		
15	Pump base (optional)	Carbon steel	EN 10025-2 - 1.0038	

* 2/4 pole: 40/50/65-125, 40/50-160

LNEE-en_a_tm

LNES SERIES

ELECTRIC PUMP CROSS-SECTION AND MAIN COMPONENTS

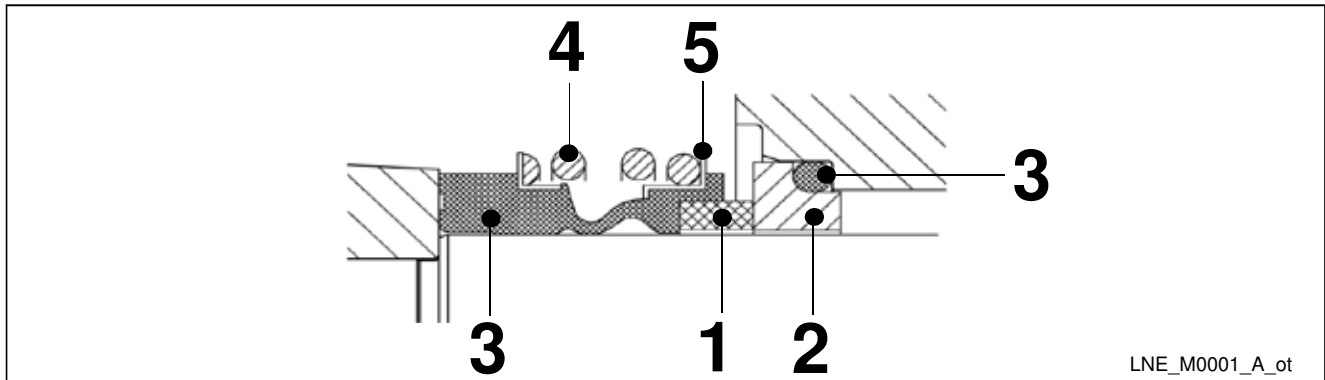


REF. N.	PART	MATERIAL	REFERENCE STANDARDS	
			EUROPE	USA
1	Volute casing	Cast iron	EN 1561 - GJL-250 (JL1040)	ASTM Class 35
2	Casing cover	Cast iron	EN 1561 - GJL-250 (JL1040)	ASTM Class 35
3	Impeller (40, 50, 65)	Stainless steel	EN 10088-1-X2CrNiMo17-12-2 (1.4404)	AISI 316L
	Impeller	Cast iron	EN 1561 - GJL-200 (JL1030)	ASTM Class 30
	Impeller	Bronze	EN 1982 - CuSn10-C (CC480K)	UNS C90700
4	Stub shaft	Stainless steel	EN 10088-1-X2CrNiMo17-12-2 (1.4404)	AISI 316L
	Stub shaft (80-250, 100-200, 100-250, 125, 150)	Stainless steel	EN 10088 - X17CrNi16-2 (1.4057)	AISI 431
5	Wear ring	Stainless steel	EN 10088 - X5CrNi18-10 (1.4301)	AISI 304
6	Impeller nut	Stainless steel	A4 (~ 1.4401)	
7	Impeller washer	Stainless steel	A4 (~ 1.4401)	
8	Impeller key	Stainless steel	EN 10088 - X6CrNiMo17-12-2 (1.4571)	AISI 316Ti
9	Plug	Stainless steel	EN 10088 - X6CrNiMo17-12-2 (1.4571)	AISI 316Ti
10	Gasket	Asbestos-free synthetic fiber AFM 34		
11	O-Ring	EPDM (standard version)		
12	Mechanical seal	Carbon / Silicon carbide / EPDM (standard version)		
13	Motor adapter *	Aluminium	EN 1706-AC-AISI11Cu2 (Fe) (AC46100)	-
	Motor adapter	Cast iron	EN 1561 - GJL-250 (JL1040)	ASTM Class 35
14	Volute - casing fastening screws	Carbon steel		
15	Pump base (optional)	Carbon steel	EN 10025-2 - 1.0038	

* 2/4 pole: 40/50/65-125, 40/50-160

e-LNE SERIES MECHANICAL SEALS

Mechanical seal with mounting dimensions according to EN 12756 and ISO 3069.



LNE_M0001_A_ot

LIST OF MATERIALS

POSITION 1 - 2	POSITION 3	POSITION 4 - 5
B : Resin impregnated carbon	E : EPDM	G : AISI 316
A : Antimony impregnated carbon	V : FKM (FPM)	
Q₁ : Silicon carbide		
U₃ : Tungsten carbide		

TYPE OF SEAL

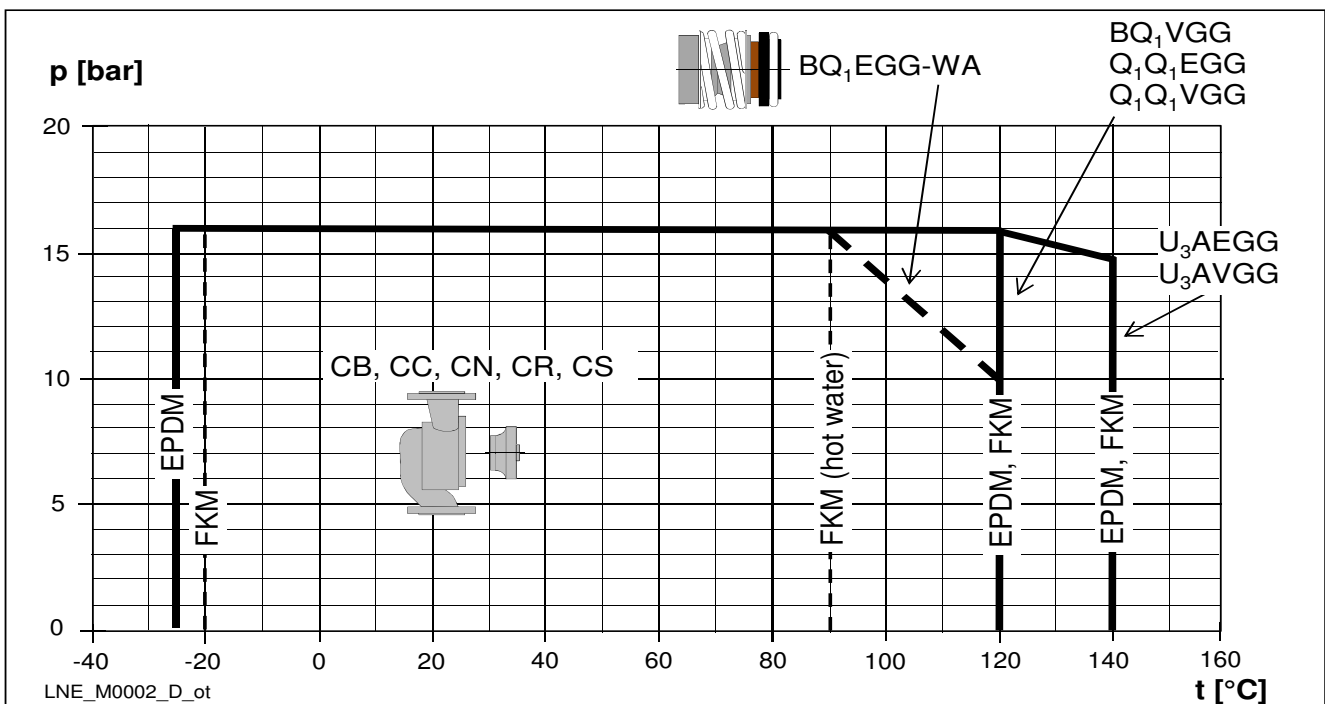
lne-int_ten-mec-en_a_tm

TYPE	POSITION					PRESSURE (bar)	TEMPERATURE (°C)
	1 ROTATING ASSEMBLY	2 FIXED ASSEMBLY	3 ELASTOMERS	4 SPRINGS	5 OTHER COMPONENTS		
STANDARD MECHANICAL SEAL							
B Q ₁ E G G - WA	B	Q ₁	E	G	G	16/10	-25 ... +90/+120
OTHER TYPES OF MECHANICAL SEAL							
B Q ₁ V G G	B	Q ₁	V	G	G	16	-20 ... +120 *)
Q ₁ Q ₁ E G G	Q ₁	Q ₁	E	G	G	16	-25 ... +120
Q ₁ Q ₁ V G G	Q ₁	Q ₁	V	G	G	16	-20 ... +120 *)
U ₃ A E G G	U ₃	A	E	G	G	16	-25 ... +140
U ₃ A V G G	U ₃	A	V	G	G	16	-20 ... +140 *)

*) for hot water: max. +90 °C

lne-int_tipi-ten-mec-en_b_tc

PRESSURE/TEMPERATURE APPLICATION LIMITS FOR COMPLETE PUMP



e-LNE SERIES MOTORS

With the "Energy using Products" (EuP 2005/32/EC) and "Energy related Products" (ErP 2009/125/EC) directives, the European Commission has established requirements for promoting the use of products with low power consumption.

The various products considered include **three-phase 50 Hz surface motors with power outputs ranging from 0,75 to 375 kW**, also when integrated with other products, with characteristics as defined by the specific **Regulation (EC) No 640/2009** implementing the requirements of the EuP and ErP Directives which also establish the following deadlines:

from	kW	minimum level of efficiency (IE)
16 th June 2011	0,75 ÷ 375	IE2
27 th July 2014	0,75 ÷ 375	new exclusion criteria ¹⁾
1 st January 2015	< 7,5	IE2
	7,5 ÷ 375	IE3
		IE2 fitted with variable speed drive ²⁾
1 st January 2017	0,75 ÷ 375	IE3
		IE2 fitted with variable speed drive ²⁾

¹⁾ Fixed by subsequent **Regulation (EU) No 4/2014**.

²⁾ IE 2 motor can be supplied without frequency converter as the obligation to have that device is related to when motor works and not when is placed on the market.

- Short-circuit squirrel-cage motor, enclosed construction with external ventilation (TEFC).
- Rated power from 1,1 to 37 kW for 2-pole range and from 0,25 to 37 kW for 4-pole range.
- **IP55** protection degree.
- Insulation class **155 (F)**.
- **Standard** three-phase surface motors $\geq 0,75$ kW supplied as **IE3**.
- IE efficiency level according to EN 60034-30:2009 and IEC 60034-30-1:2014 ($\geq 0,75$ kW).
- Electrical performances according to EN 60034-1.
- Metric cable gland according to EN 50262.
- **Single-phase** version:
220-240 V 50 Hz
Built-in automatic reset overload protection up to 1,5 kW. For higher powers the protection must be provided by the user.
- **Three-phase** version:
220-240/380-415 V 50 Hz for power up to 3 kW.
380-415/660-690 V 50 Hz for power above 3 kW.
Overload protection to be provided by the user.
- **PTC included** as standard only for WEG motors (one per phase, 155°C).
- Maximum ambient temperature: 40 °C.

LNEE SERIES SINGLE-PHASE MOTORS AT 50 Hz, 2 POLES

P _N kW	MOTOR TYPE	IEC SIZE*	Construction Design	INPUT CURRENT I _n (A) 220-240 V	CAPACITOR		DATA FOR 230 V 50 Hz VOLTAGE						
					μF	V	min ⁻¹	I _s / I _n	η %	cosφ	T _n Nm	T _s /T _n	T _m /T _n
1,1	SM90RB14S2/1115	90R	B14	6,88-6,65	30	450	2800	3,89	74,7	0,96	3,75	0,46	1,72
1,5	SM90RB14S2/1155	90R	B14	9,21-8,58	40	450	2810	4,00	76,1	0,98	5,15	0,39	1,74
2,2	PLM90B14S2/1225	90	B14	12,5-11,6	70	450	2825	4,47	82,4	0,97	7,43	0,53	1,87

* R = Reduced size of motor casing as compared to shaft extension and flange.

LNEE-motm-2p50-en_a_te

LNEE SERIES THREE-PHASE MOTORS AT 50 Hz, 2 POLES

P _N kW	Efficiency η_N															IE	Year of manufacture	
	%																	
	Δ 220 V Y 380 V			Δ 230 V Y 400 V			Δ 240 V Y 415 V			Δ 380 V Y 660 V			Δ 400 V Y 690 V					Δ 415 V
	4/4	3/4	2/4	4/4	3/4	2/4	4/4	3/4	2/4	4/4	3/4	2/4	4/4	3/4	2/4	4/4	3/4	2/4
1,1	84,0	84,7	83,4	84,4	84,5	82,5	84,3	84,0	81,4	84,0	84,0	81,4	84,0	84,0	81,4	84,0	84,0	81,4
1,5	85,6	86,5	85,8	85,9	86,4	84,9	86,0	86,0	84,0	85,6	86,0	84,0	85,6	86,0	84,0	85,6	86,0	84,0
2,2	86,5	87,4	86,8	86,4	86,9	85,7	86,6	86,7	85,0	86,4	86,7	85,0	86,4	86,7	85,0	86,4	86,7	85,0
3	87,2	88,5	88,3	87,5	88,2	87,5	87,5	87,8	86,4	87,2	87,8	86,4	87,2	87,8	86,4	87,2	87,8	86,4
4	89,1	90,1	89,2	89,1	90,1	89,2	89,1	90,1	89,2	89,1	90,3	90,4	89,6	90,4	89,9	89,6	90,1	89,2
5,5	89,5	89,6	88,0	89,5	89,6	88,0	89,5	89,6	88,0	89,5	90,3	89,9	89,7	90,0	89,0	89,6	89,6	88,0
7,5	90,6	90,5	89,0	90,6	90,5	89,0	90,6	90,5	89,0	90,6	91,0	90,2	90,8	90,8	89,6	90,7	90,5	89,0
9,2	90,8	91,0	89,7	90,8	91,0	89,7	90,8	91,0	89,7	90,8	91,4	90,8	91,1	91,3	90,3	91,1	91,0	89,7
11	91,3	92,0	91,1	91,3	92,0	91,1	91,3	92,0	91,1	91,3	92,2	92,2	91,6	92,2	91,7	91,7	92,0	91,1
15	92,5	92,4	91,2	92,5	92,4	91,2	92,5	92,4	91,2	92,7	93,3	92,9	93,1	93,3	92,7	92,5	92,4	91,2
18,5	92,6	93,1	92,4	92,6	93,1	92,4	92,6	93,1	92,4	92,6	93,2	93,0	92,9	93,3	92,8	92,9	93,1	92,4
22	93,0	92,7	91,3	93,0	92,7	91,3	93,0	92,7	91,3	93,0	93,2	92,4	93,1	93,0	91,9	93,0	92,7	91,3

P _N kW	Manufacturer		IEC SIZE*	Construction Design	N. of Poles	f _N Hz	Data for 400 V / 50 Hz Voltage				
	Xylem Service Italia Srl Reg. No. 07520560967 Montecchio Maggiore Vicenza - Italia						cos ϕ	I _s / I _N	T _N Nm	T _s /T _N	T _m /T _N
	Model										
1,1	SM90RB14S2/311 PE		90R	SPECIAL	2	50	0,79	8,31	3,63	3,95	3,95
1,5	SM90RB14S2/315 PE		90R				0,80	8,80	4,96	4,31	4,10
2,2	PLM90B14S2/322 E3		90				0,80	8,77	7,28	3,72	3,70
3	PLM90B14S2/330 E3		90				0,79	7,81	9,93	4,26	3,94
4	PLM112RB14S2/340 E3		112R				0,85	9,13	13,2	3,82	4,32
5,5	PLM112B14S2/355 E3		112				0,85	10,5	18,1	4,74	5,11
7,5	PLM132B14S2/375 E3		132				0,85	10,2	24,4	3,43	4,76
	PLM132B14S3/375 E3		132								
9,2	PLM132B14S2/392 E3		132				0,85	10,1	30,0	3,73	4,81
	PLM132B14S3/392 E3		132								
11	PLM132B14S2/3110 E3		132				0,86	9,89	35,9	3,46	4,59
	PLM132B14S3/3110 E3		132								
15	PLM160B34S3/3150 E3		160	0,88	9,51	48,6	2,73	4,32			
18,5	PLM160B34S3/3185 E3		160	0,88	9,81	59,9	2,81	4,53			
22	PLM160B34S3/3220 E3		160	0,85	10,9	71,1	3,26	5,12			

P _N kW	Voltage U _N V											n _N min ⁻¹	Operating conditions **		
	Δ			Y			Δ			Y			Altitude Above Sea Level (m)	T. amb min/max °C	ATEX
	220 V	230 V	240 V	380 V	400 V	415 V	380 V	400 V	415 V	660 V	690 V				
1,1	4,19	4,14	4,16	2,42	2,39	2,40	2,41	2,38	2,38	1,39	1,37	2870 ÷ 2900	≤ 1000	-15 / 40	No
1,5	5,56	5,49	5,51	3,21	3,17	3,18	3,21	3,18	3,19	1,85	1,84	2870 ÷ 2895			
2,2	7,97	7,90	7,98	4,6	4,56	4,61	4,57	4,54	4,57	2,64	2,62	2880 ÷ 2900			
3	11,0	11,0	11,2	6,35	6,33	6,44	6,29	6,27	6,34	3,63	3,62	2865 ÷ 2895			
4	13,6	13,4	13,4	7,87	7,75	7,74	7,80	7,62	7,61	4,50	4,40	2885 ÷ 2910			
5,5	18,1	17,9	18,1	10,4	10,4	10,4	10,6	10,5	10,7	6,10	6,05	2880 ÷ 2910			
7,5	24,8	24,4	24,3	14,3	14,1	14,0	14,4	14,1	14,2	8,32	8,16	2920 ÷ 2935			
9,2	30,6	30,1	30,2	17,6	17,4	17,5	17,5	17,2	17,3	10,1	9,93	2920 ÷ 2935			
11	35,7	35,0	34,9	20,6	20,2	20,2	20,6	20,2	20,2	11,9	11,7	2910 ÷ 2930			
15	47,6	46,1	45,2	27,5	26,6	26,1	27,5	26,6	26,1	15,9	15,3	2940 ÷ 2950			
18,5	58,3	56,7	55,6	33,7	32,7	32,1	34,0	33,0	32,7	19,6	19,0	2940 ÷ 2950			
22	72,9	73,1	73,7	42,1	42,2	42,6	40,9	40,4	40,6	23,6	23,3	2950 ÷ 2960			

* R = Reduced size of motor casing as compared to shaft extension and flange.

LNEE-IE3-mott-2p50-en_a_te

** Operating conditions to be referred to motor only. About electric pump, refer to limits in user's manual.

LNES SERIES THREE-PHASE MOTORS AT 50 Hz, 2 POLES

P _N kW	Efficiency η_N %																		IE	Year of manufacture
	Δ 220 V Y 380 V			Δ 230 V Y 400 V			Δ 240 V Y 415 V			Δ 380 V Y 660 V			Δ 400 V Y 690 V			Δ 415 V				
	4/4	3/4	2/4	4/4	3/4	2/4	4/4	3/4	2/4	4/4	3/4	2/4	4/4	3/4	2/4	4/4	3/4	2/4		
1,1	84,0	84,7	83,4	84,4	84,5	82,5	84,3	84,0	81,4	84,0	84,0	81,4	84,0	84,0	81,4	84,0	84,0	81,4	3	From 11/2014
1,5	85,6	86,5	85,8	85,9	86,4	84,9	86,0	86,0	84,0	85,6	86,0	84,0	85,6	86,0	84,0	85,6	86,0	84,0		
2,2	86,5	87,4	86,8	86,4	86,9	85,7	86,6	86,7	85,0	86,4	86,7	85,0	86,4	86,7	85,0	86,4	86,7	85,0		
3	87,2	88,5	88,3	87,5	88,2	87,5	87,5	87,8	86,4	87,2	87,8	86,4	87,2	87,8	86,4	87,2	87,8	86,4		
4	89,1	90,1	89,2	89,1	90,1	89,2	89,1	90,1	89,2	89,1	90,3	90,4	89,6	90,4	89,9	89,6	90,1	89,2		
5,5	89,5	89,6	88,0	89,5	89,6	88,0	89,5	89,6	88,0	89,5	90,3	89,9	89,7	90,0	89,0	89,6	89,6	88,0		
7,5	90,6	90,5	89,0	90,6	90,5	89,0	90,6	90,5	89,0	90,6	91,0	90,2	90,8	90,8	89,6	90,7	90,5	89,0		
11	91,3	92,0	91,1	91,3	92,0	91,1	91,3	92,0	91,1	91,3	92,2	92,2	91,6	92,2	91,7	91,7	92,0	91,1		
15	92,5	92,4	91,2	92,5	92,4	91,2	92,5	92,4	91,2	92,7	93,3	92,9	93,1	93,3	92,7	92,5	92,4	91,2		
18,5	92,6	93,1	92,4	92,6	93,1	92,4	92,6	93,1	92,4	92,6	93,2	93,0	92,9	93,3	92,8	92,9	93,1	92,4		
22	93,0	92,7	91,3	93,0	92,7	91,3	93,0	92,7	91,3	93,0	93,2	92,4	93,1	93,0	91,9	93,0	92,7	91,3		

P _N kW	Manufacturer		IEC SIZE*	Construction Design	N. of Poles	f _N Hz	Data for 400 V / 50 Hz Voltage				
	Xylem Service Italia Srl Reg. No. 07520560967 Montecchio Maggiore Vicenza - Italia						cos ϕ	I _s / I _N	T _N Nm	T _s /T _N	T _m /T _N
	Model										
1,1	SM80B5/311 PE		80	B5	2	50	0,79	8,31	3,63	3,95	3,95
1,5	SM90RB5/315 PE		90R				0,80	8,80	4,96	4,31	4,10
2,2	PLM90B5/322 E3		90				0,80	8,77	7,28	3,72	3,70
3	PLM100RB5/330 E3		100R				0,79	7,81	9,93	4,26	3,94
4	PLM112RB5/340 E3		112R				0,85	9,13	13,2	3,82	4,32
5,5	PLM132RB5/355 E3		132R				0,85	10,5	18,1	4,74	5,11
7,5	PLM132B5/375 E3		132				0,85	10,2	24,4	3,43	4,76
11	PLM160RB5/3110 E3		160R				0,86	9,89	35,9	3,46	4,59
15	PLM160B5/3150 E3		160				0,88	9,51	48,6	2,73	4,32
18,5	PLM160B5/3185 E3		160				0,88	9,81	59,9	2,81	4,53
22	PLM180RB5/3220 E3		180R				0,85	10,9	71,1	3,26	5,12

P _N kW	Voltage U _N V										n _N min ⁻¹	Operating conditions **			
	Δ			Y			Δ			Y		Altitude Above Sea Level (m)	T. amb min/max °C	ATEX	
	220 V	230 V	240 V	380 V	400 V	415 V	380 V	400 V	415 V	660 V					690 V
1,1	4,19	4,14	4,16	2,42	2,39	2,40	2,41	2,38	2,38	1,39	1,37	2870 ÷ 2900	≤ 1000	-15 / 40	No
1,5	5,56	5,49	5,51	3,21	3,17	3,18	3,21	3,18	3,19	1,85	1,84	2870 ÷ 2895			
2,2	7,97	7,90	7,98	4,6	4,56	4,61	4,57	4,54	4,57	2,64	2,62	2880 ÷ 2900			
3	11,0	11,0	11,2	6,35	6,33	6,44	6,29	6,27	6,34	3,63	3,62	2865 ÷ 2895			
4	13,6	13,4	13,4	7,87	7,75	7,74	7,80	7,62	7,61	4,50	4,40	2885 ÷ 2910			
5,5	18,1	17,9	18,1	10,4	10,4	10,4	10,6	10,5	10,7	6,10	6,05	2880 ÷ 2910			
7,5	24,8	24,4	24,3	14,3	14,1	14,0	14,4	14,1	14,2	8,32	8,16	2920 ÷ 2935			
11	35,7	35,0	34,9	20,6	20,2	20,2	20,6	20,2	20,2	11,9	11,7	2910 ÷ 2930			
15	47,6	46,1	45,2	27,5	26,6	26,1	27,5	26,6	26,1	15,9	15,3	2940 ÷ 2950			
18,5	58,3	56,7	55,6	33,7	32,7	32,1	34,0	33,0	32,7	19,6	19,0	2940 ÷ 2950			
22	72,9	73,1	73,7	42,1	42,2	42,6	40,9	40,4	40,6	23,6	23,3	2950 ÷ 2960			

* R = Reduced size of motor casing as compared to shaft extension and flange.

LNES-IE3-mott-2p50-en_a_te

** Operating conditions to be referred to motor only. About electric pump, refer to limits in user's manual.

LNEE SERIES THREE-PHASE MOTORS AT 50 Hz, 4 POLES

P _N kW	Efficiency η_N																		IE	Year of manufacture			
	%																						
	Δ 220 V Y 380 V			Δ 230 V Y 400 V			Δ 240 V Y 415 V			Δ 380 V Y 660 V			Δ 400 V Y 690 V			Δ 415 V							
	4/4	3/4	2/4	4/4	3/4	2/4	4/4	3/4	2/4	4/4	3/4	2/4	4/4	3/4	2/4	4/4	3/4	2/4					
0,25	-	-	-	-	-	-	-	-	-	-	-	-	-	-	-	-	-	-	-	-	-	-	-
0,37	-	-	-	-	-	-	-	-	-	-	-	-	-	-	-	-	-	-	-	-	-	-	-
0,55	-	-	-	-	-	-	-	-	-	-	-	-	-	-	-	-	-	-	-	-	-	-	-
0,75	80,4	81,3	79,8	81,1	81,4	79,1	81,4	81,2	78,4	80,4	81,2	78,4	80,4	81,2	78,4	80,4	81,2	78,4	80,4	81,2	78,4	2	06/2011
1,1	84,9	85,7	84,7	85,3	85,5	83,8	85,3	85,0	82,7	84,9	85,0	82,7	84,9	85,0	82,7	84,9	85,0	82,7	84,9	85,0	82,7	3	from 11/2014
1,5	86,6	87,0	85,7	86,7	86,9	84,5	86,4	85,9	83,3	86,4	85,9	83,3	86,4	85,9	83,3	86,4	85,9	83,3	86,4	85,9	83,3		
2,2	87,6	88,6	88,3	88,2	88,8	87,9	88,5	88,7	87,4	87,6	88,6	87,4	87,6	88,6	87,4	87,6	88,6	87,4	87,6	88,6	87,4		
3	88,5	89,2	88,5	88,6	88,9	87,6	88,6	88,6	86,8	88,5	88,6	86,8	88,5	88,6	86,8	88,5	88,6	86,8	88,5	88,6	86,8		
4	88,6	89,1	87,9	88,6	89,1	87,9	88,6	89,1	87,9	88,6	89,2	88,9	88,6	89,2	88,4	88,8	89,1	87,9					

P _N kW	Manufacturer		IEC SIZE*	Construction Design	N. of Poles	f _N Hz	Data for 400 V / 50 Hz Voltage				
	Xylem Service Italia Srl Reg. No. 07520560967 Montecchio Maggiore Vicenza - Italia						cos ϕ	I _s / I _N	T _N Nm	T _s /T _N	T _m /T _N
	Model										
0,25	SM471B5/302		71	B5	4	50	0,59	3,58	1,71	3,16	2,63
0,37	SM471B5/304		71				0,60	3,39	2,57	3,40	2,47
0,55	SM490RB14S2/305		90R	SPECIAL	4	50	0,67	3,95	3,77	2,45	2,38
		SM490RB5S2/305					90R	0,67	3,95	3,77	2,45
0,75	LLM490RB14S2/307		90R				0,75	5,78	5,03	2,77	3,31
	LLM490RB5S2/307		90R				0,71	6,22	7,28	2,75	3,44
1,1	PLM490B5S2/311 E3		90				0,68	6,92	9,89	3,29	4,01
1,5	PLM490B5S3/315 E3		90				0,78	7,47	14,5	2,38	3,69
2,2	PLM4100B5S3/322 E3		100				0,74	7,75	19,7	2,48	4,21
3	PLM4100B5S3/330 E3		100				0,79	8,32	26,3	3,19	4,02
4	PLM4112B5S3/340 E3		112								

P _N kW	Voltage U _N V										n _N min ⁻¹	Operating conditions **			
	Δ			Y			Δ			Y		Altitude Above Sea Level (m)	T. amb min/max °C	ATEX	
	220 V	230 V	240 V	380 V	400 V	415 V	380 V	400 V	415 V	660 V					690 V
0,25	1,68	1,71	1,77	0,97	0,99	1,02	-	-	-	-	-	1375 ÷ 1400	≤ 1000	-15 / 40	No
0,37	2,46	2,53	2,62	1,42	1,46	1,51	-	-	-	-	-	1355 ÷ 1380			
0,55	2,98	3,03	3,1	1,72	1,75	1,79	-	-	-	-	-	1380 ÷ 1400			
0,75	3,08	3,03	3,01	1,78	1,75	1,74	1,78	1,75	1,74	1,03	1,01	1410 ÷ 1430			
	1,1	4,61	4,59	4,62	2,66	2,65	2,67	2,64	2,63	2,65	1,53	1,52			
1,5	6,34	6,41	6,41	3,66	3,70	3,70	3,65	3,68	3,69	2,11	2,13	1440 ÷ 1450			
2,2	8,19	8,04	7,97	4,73	4,64	4,60	4,70	4,62	4,56	2,71	2,67	1445 ÷ 1455			
3	11,5	11,5	11,5	6,66	6,62	6,67	6,63	6,59	6,63	3,83	3,81	1450 ÷ 1460			
4	14,8	14,6	14,5	8,52	8,40	8,36	8,40	8,23	8,19	4,85	4,75	1445 ÷ 1455			

Observe the regulations and codes locally in force regarding sorted waste disposal.

* R = Reduced size of motor casing as compared to shaft extension and flange.

LNEE-IE3-mott-4p50-en_a_te

** Operating conditions to be referred to motor only. About electric pump, refer to limits in user's manual.

LNES SERIES THREE-PHASE MOTORS AT 50 Hz, 4 POLES

P _N kW	Efficiency η_N %																		IE	Year of manufacture			
	Δ 220 V Y 380 V			Δ 230 V Y 400 V			Δ 240 V Y 415 V			Δ 380 V Y 660 V			Δ 400 V Y 690 V			Δ 415 V							
	4/4	3/4	2/4	4/4	3/4	2/4	4/4	3/4	2/4	4/4	3/4	2/4	4/4	3/4	2/4	4/4	3/4	2/4					
0,55	-	-	-	-	-	-	-	-	-	-	-	-	-	-	-	-	-	-	-	-	-	2	2011
0,75	80,4	81,3	79,8	81,1	81,4	79,1	81,4	81,2	78,4	80,4	81,2	78,4	80,4	81,2	78,4	80,4	81,2	78,4	80,4	81,2	78,4	3	from 11/2014
1,1	84,9	85,7	84,7	85,3	85,5	83,8	85,3	85	82,7	84,9	85	82,7	84,9	85	82,7	84,9	85	82,7	84,9	85	82,7		
1,5	86,6	87	85,7	86,7	86,9	84,5	86,4	85,9	83,3	86,4	85,9	83,3	86,4	85,9	83,3	86,4	85,9	83,3	86,4	85,9	83,3		
2,2	87,6	88,6	88,3	88,2	88,8	87,9	88,5	88,7	87,4	87,6	88,6	87,4	87,6	88,6	87,4	87,6	88,6	87,4	87,6	88,6	87,4		
3	88,5	89,2	88,5	88,6	88,9	87,6	88,6	88,6	86,8	88,5	88,6	86,8	88,5	88,6	86,8	88,5	88,6	86,8	88,5	88,6	86,8		
4	88,6	89,1	87,9	88,6	89,1	87,9	88,6	89,1	87,9	88,6	89,2	88,9	88,6	89,2	88,4	88,8	89,1	87,9					
5,5	90,4	90,9	89,7	90,4	90,9	89,7	90,4	90,9	89,7	90,4	91,0	90,5	90,9	91,1	90,2	90,9	90,9	89,7					
7,5	90,4	91,2	90,4	90,4	91,2	90,4	90,4	91,2	90,4	90,4	91,2	91,1	90,7	91,3	90,8	90,9	91,2	90,4					
11	91,5	92,2	91,4	91,5	92,2	91,4	91,5	92,2	91,4	91,5	92,4	92,4	91,9	92,5	92	91,9	92,2	91,4					
15	92,2	92,2	90,8	92,2	92,2	90,8	92,2	92,2	90,8	92,5	93,0	92,7	92,5	92,7	91,8	92,2	92,2	90,8					

P _N kW	Manufacturer		IEC SIZE	Construction Design	N. of Poles	f _N Hz	Data for 400 V / 50 Hz Voltage				
	Xylem Service Italia Srl Reg. No. 07520560967 Montecchio Maggiore Vicenza - Italia						cos ϕ	I _s / I _N	T _N Nm	T _s /T _N	T _m /T _N
	Model										
0,55	SM480B5/305		80	B5	4	50	0,67	3,95	3,77	2,45	2,38
0,75	LLM480B5/307		80				0,75	5,78	5,03	2,77	3,31
1,1	PLM490B5/311 E3		90				0,71	6,22	7,28	2,75	3,44
1,5	PLM490B5/315 E3		90				0,68	6,92	9,89	3,29	4,01
2,2	PLM4100B5/322 E3		100				0,78	7,47	14,5	2,38	3,69
3	PLM4100B5/330 E3		100				0,74	7,75	19,7	2,48	4,21
4	PLM4112B5/340 E3		112				0,79	8,32	26,3	3,19	4,02
5,5	PLM4132B5/355 E3		132				0,76	7,64	35,9	2,85	3,65
7,5	PLM4132B5/375 E3		132				0,79	7,70	49,1	2,69	3,57
11	PLM4160B5/3110 E3		160				0,81	7,19	71,5	2,45	3,26
15	PLM4160B5/3150 E3		160	0,77	8,23	97,2	2,97	3,99			

P _N kW	Voltage U _N V											n _N min ⁻¹	Observe the regulations and codes locally in force regarding sorted waste disposal.	Operating conditions **		
	Δ			Y			Δ			Y				Altitude Above Sea Level (m)	T. amb min/max °C	ATEX
	220 V	230 V	240 V	380 V	400 V	415 V	380 V	400 V	415 V	660 V	690 V					
0,55	2,98	3,03	3,1	1,72	1,75	1,79	-	-	-	-	-	1380 ÷ 1400	≤ 1000	-15 / +40	No	
0,75	3,08	3,03	3,01	1,78	1,75	1,74	1,78	1,75	1,74	1,03	1,01	1410 ÷ 1430				
1,1	4,61	4,59	4,62	2,66	2,65	2,67	2,64	2,63	2,65	1,53	1,52	1435 ÷ 1445				
1,5	6,34	6,41	6,41	3,66	3,7	3,7	3,65	3,68	3,69	2,11	2,13	1440 ÷ 1450				
2,2	8,19	8,04	7,97	4,73	4,64	4,6	4,70	4,62	4,56	2,71	2,67	1445 ÷ 1455				
3	11,5	11,5	11,5	6,66	6,62	6,67	6,63	6,59	6,63	3,83	3,81	1450 ÷ 1460				
4	14,8	14,6	14,5	8,52	8,40	8,36	8,40	8,23	8,19	4,85	4,75	1445 ÷ 1455				
5,5	20,0	19,7	19,4	11,6	11,4	11,2	11,7	11,5	11,4	6,75	6,62	1455 ÷ 1465				
7,5	26,6	26,1	25,8	15,4	15,1	14,9	15,5	15,2	15,1	8,95	8,75	1450 ÷ 1460				
11	38,3	37,3	37,5	22,1	21,8	21,7	21,9	21,4	21,3	12,6	12,3	1465 ÷ 1470				
15	51,8	52,0	52,7	29,9	30,0	30,4	30,5	30,7	31,4	17,6	17,7	1465 ÷ 1475				

** Operating conditions to be referred to motor only. About electric pump, refer to limits in user's manual.

LNES SERIES

THREE-PHASE MOTORS AT 50 Hz, 4 POLES (from 18,5 to 37 kW)

P _N kW	Efficiency η_N %									IE	Year of manufacture
	Δ 380 V Y 660 V			Δ 400 V Y 690 V			Δ 415 V				
	4/4	3/4	2/4	4/4	3/4	2/4	4/4	3/4	2/4		
18,5	93,1	92,9	92,5	93,3	92,9	92,2	93,4	92,8	91,8	3	from 11/2014
22	93,4	93,1	92,8	93,6	93,0	92,4	93,6	92,8	91,9		
30	94,1	94,1	93,5	94,2	94,0	93,0	94,2	93,9	92,5		
37	94,3	94,5	94,1	94,6	94,6	94,0	94,7	94,6	93,8		

P _N kW	Manufacturer		IEC SIZE	Construction Design	N. of Poles	f _N Hz	Data for 400 V / 50 Hz Voltage				
	WEG Equipamentos Elétricos S.A. Reg. No. 07.175.725/0010-50 Jaragua do Sul - SC (Brazil)						cos ϕ	I _s / I _N	T _N Nm	T _s /T _N	T _m /T _n
	Model										
18,5	W22 180M4-B5 18.5kW E3		180	B5	4	50	0,82	7,30	120,20	2,70	3,00
22	W22 180L4-B5 22kW E3		180				0,83	7,30	142,90	2,80	3,30
30	W22 200L4-B5 30kW E3		200				0,82	7,30	193,60	2,50	3,00
37	W22 225S4-B5 37kW E3		225				0,86	7,80	238,70	2,70	3,00

P _N kW	Voltage U _N V					n _N min ⁻¹	See note.	Operating conditions **		
	Δ			Y				Altitude Above Sea Level (m)	T. amb min/max °C	ATEX
	380 V	400 V	415 V	660 V	690 V					
	I _N (A)									
18,5	35,90	34,90	34,40	20,70	20,20	1470	≤ 1000	-15 / +40	No	
22	42,10	40,90	40,40	24,20	23,70	1470				
30	57,70	56,10	55,40	33,20	32,50	1480				
37	68,50	65,60	63,90	39,40	38,00	1480				

** Operating conditions to be referred to motor only. About electric pump, refer to limits in user's manual.

LNES-IE3-mott37-4p50-en_a_te

Note: Observe the regulations and codes locally in force regarding sorted waste disposal.

MOTOR NOISE

The tables below show the mean sound pressure levels (L_p) measured at 1 meter's distance in a free field according to the A curve (ISO 1680 standard). The noise values are measured with idling 50 Hz motor with a tolerance of 3 dB (A).

LNEE, LNES MOTORS 2 POLES 50 Hz

POWER kW	MOTOR TYPE IEC SIZE *	NOISE L _p A dB
1,1	80 - 90R	<70
1,5	90R	<70
2,2	90	<70
3	90 100R	<70
4	112R	<70
5,5	112 - 132R	<70
7,5	132	71
9,2	132	73
11	132 - 160R	73
15	160	71
18,5	160	73
22	160	70

LNEE, LNES MOTORS 4 POLES 50 Hz

POWER kW	MOTOR TYPE IEC SIZE *	NOISE L _p A dB
0,25	71	<70
0,37	71	<70
0,55	90R	<70
0,75	90R	<70
1,1	90	<70
1,5	90	<70
2,2	100	<70
3	100	<70
4	112	<70
5,5	132	<70
7,5	132	<70
11	160	<70
15	160	<70
18,5	180	<70
22	180	<70
30	200	<70
37	225	<70

*R=Reduced size of motor casing as compared to shaft extension and flange.

LNE_mott-en_a_tr

e-LNE SERIES PUMPS

Over last decade the European Commission with the 'Energy Efficiency Plan' pushed the European Parliament and the Council to adopt specific measures to the purpose of reducing energy consumption and further negative environmental impacts. Through the Directives 2005/32/EC, energy-using products (EuP), and 2009/125/EC, energy-related products (ErP) a framework for ecodesign requirements was established.

The **Commission Regulation (EU) No 547/2012** has implemented two directives with regard to ecodesign requirements for **some types of clean water pumps** placed on the market and put into service inside EU zone as self-alone units or integrated in other products.

For end-suction close-coupled in-line pumps (ESCCi for the Regulation) the efficiency assessment refers to:

- just the pump and not the pump and motor assembly (electric or combustion);
- pumps with just one impeller;
- pumps with a nominal pressure PN not higher than 16 bar (1600 kPa);
- pumps with a minimum nominal flow not less than 6 m³/h;
- pumps with a maximum nominal power at the shaft not higher than 150 kW;
- pumps designed to operate at a speed of 2900 min⁻¹ (for electric pumps this means 50 Hz 2-pole electric motors) and with a head not greater than 140 metres;
- pumps designed to operate at a speed of 1450 min⁻¹ (for electric pumps this means 50 Hz 4-pole electric motors) and with a head not greater than 90 metres;
- use with clean water at a temperature ranging from -10°C to 120°C (the test is performed with cold water at a temperature not higher than 40°C).

According to the definitions established in the Regulation LNEE and LNES versions correspond to the "end-suction close-coupled in-line pump".

This regulation states that water pumps shall have a minimum index MEI coming from a dedicated formula which considers hydraulic efficiency values at 'best efficiency point' (BEP), 75 % of the flow at BEP (Part load – PL) and 110 % of the flow at BEP (Over load – OL).

The Regulation also establishes the following deadlines.

from	minimum efficiency index (MEI)
1 st January 2013	MEI ≥ 0,1
1 st January 2015	MEI ≥ 0,4

Regulation (EU) n. 547/2012 – Annex II – point 2 (Product information requirements)

- 1) Minimum efficiency index: see MEI values in specific tables on following page.
- 2) "The benchmark for most efficient water pumps is MEI ≥ 0,70".
- 3) Year of manufacture: 2014.
- 4) Manufacturer: Xylem Service Italia Srl - Reg. No 07520560967 - Montecchio Maggiore, Vicenza, Italy.
- 5) Product type: see the PUMP TYPE column in the tables in the *Hydraulic performance* section.
- 6) Hydraulic pump efficiency with trimmed impeller: see η_p and $\varnothing T$ columns in the tables in the *Hydraulic performance* section.
- 7) Pump performance curves, including the performance curve: see the *Operating Characteristics* graphs in the following pages.
- 8) "The efficiency of a pump with a trimmed impeller is usually lower than that of a pump with the full impeller diameter. The trimming of the impeller will adapt the pump to a fixed duty point, leading to reduced energy consumption. The minimum efficiency index (MEI) is based on the full impeller diameter".
- 9) "The operation of this water pump with variable duty points may be more efficient and economic when controlled, for example, by the use of a variable speed drive that matches the pump duty to the system".
- 10) Information relevant for disassembly, recycling or disposal at end-of-life: observe the current laws and by-laws governing sorted waste disposal. Consult the product operating manual.
- 11) "Designed for use below – 10 °C only": note not applicable to these products.
- 12) "Designed for use above 120 °C only": note not applicable to these products.
- 13) Specific instructions for pumps as per points 11 and 12: not applicable to these products.
- 14) "Information on benchmark efficiency is available at": www.europump.org (Ecodesign section).
- 15) The benchmark efficiency graphs with MEI = 0.7 and MEI = 0.4 are available at www.europump.org/efficiencycharts or <http://europump.net/uploads/Fingerprints.pdf> (refer to "ESCCi 1450 rpm").

e-LNE SERIES
MINIMUM EFFICIENCY INDEX (MEI)

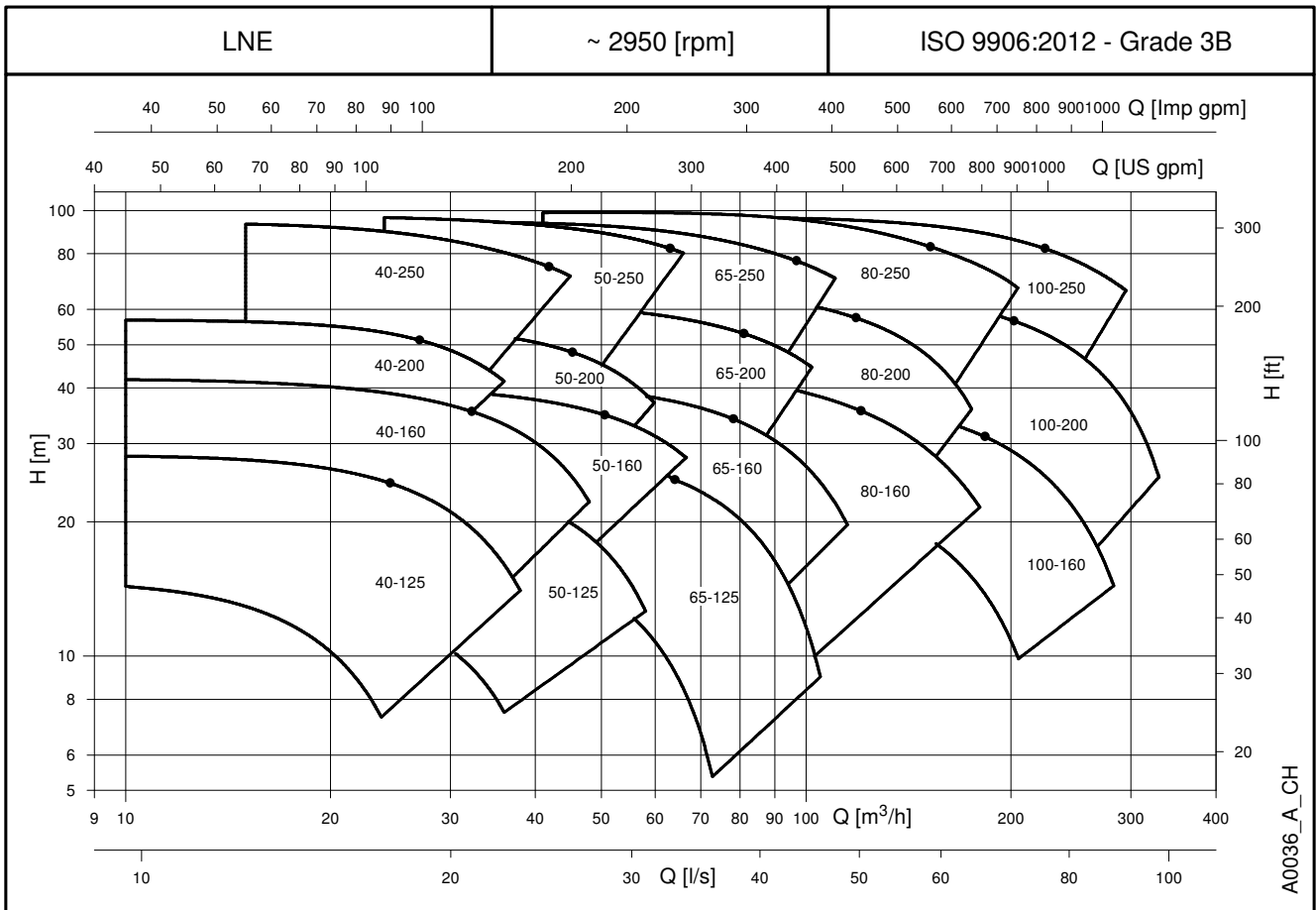
2-POLE		
PUMP SIZE	LNEE	LNES
40-125/145	≥0,40	≥0,40
40-160/171	≥0,40	≥0,40
40-200/205	≥0,40	≥0,40
40-250/259	≥0,40	≥0,40
50-125/135	≥0,40	≥0,40
50-160/165	≥0,40	≥0,40
50-200/199	≥0,40	≥0,40
50-250/257,5	≥0,40	≥0,40
65-125/148	≥0,40	≥0,40
65-160/176	≥0,40	≥0,40
65-200/209	≥0,40	≥0,40
65-250/256	≥0,40	≥0,40
80-160/180	≥0,40	≥0,40
80-200/220	≥0,40	≥0,40
80-250/229	≥0,40	≥0,40
100-160/177	≥0,40	≥0,40
100-200/208	≥0,40	≥0,40
100-250/214	≥0,40	≥0,40

4-POLE		
PUMP SIZE	LNEE	LNES
40-125/145	≥0,40	≥0,40
40-160/171	≥0,40	≥0,40
40-200/205	≥0,40	≥0,40
40-250/259	≥0,40	≥0,40
50-125/135	≥0,40	≥0,40
50-160/165	≥0,40	≥0,40
50-200/199	≥0,40	≥0,40
50-250/257,5	≥0,40	≥0,40
65-125/148	≥0,40	≥0,40
65-160/176	≥0,40	≥0,40
65-200/209	≥0,40	≥0,40
65-250/256	≥0,40	≥0,40
80-160/180	≥0,40	≥0,40
80-200/220	≥0,40	≥0,40
80-250/258	≥0,40	≥0,40
100-160/177	≥0,40	≥0,40
100-200/219	≥0,40	≥0,40
100-250/259	≥0,40	≥0,40
125-160/190	---	>0,70
125-200/229	---	>0,70
125-250/259	---	>0,70
125-315/334	---	>0,70
150-200/225	---	0,62
150-250/259	---	>0,70
150-315/334	---	>0,70

Lne-MEI-en_c_sc

e-LNE SERIES

HYDRAULIC PERFORMANCE RANGE AT 50 Hz, 2 POLES



e-LNE 40, 50, 65 SERIES HYDRAULIC PERFORMANCE TABLE AT 50 Hz, 2 POLES

PUMP TYPE	P _N kW	Ø mm	F (1)	T (2)	η _p % (3)	Q = DELIVERY												
						l/s	1,8	2,9	3,9	4,9	6,0	7,0	8,1	10,2	11,2	12,3	13,3	
						0	6	10	14	18	22	25	29	33	37	40	44	48
						H = TOTAL HEAD METRES COLUMN OF WATER												
40-125/11*	1,1	113		•	57,0	14,2	14,4	13,9	12,7	11,0	8,8							
40-125/15*	1,5	123		•	59,9	17,7		17,7	16,7	15,2	13,1	10,7						
40-125/22*	2,2	133		•	62,3	22,3		22,6	22,1	21,0	19,4	17,3	14,7	11,5				
40-125/30	3	145	•		66,8	27,5		28,1	27,7	27,0	25,7	24,0	21,7	18,8	15,4			
40-160/30	3,0	150		•	63,0	28,4		29,0	28,7	27,7	26,2	24,3	22,0	19,3				
40-160/40	4	161		•	63,6	33,7		34,4	34,2	33,4	32,0	30,2	28,0	25,5	22,7	19,3		
40-160/55	5,5	171	•		65,9	39,6		40,7	40,3	39,5	38,3	36,7	34,8	32,4	29,6	26,3	22,5	18,1
40-200/40	4	171		•	55,6	38,4		37,7	37,1	35,7	33,2	29,6						
40-200/55	6	186		•	57,3	47,0		46,1	45,8	44,8	43,0	40,2	36,3					
40-200/75	8	205	•		59,2	57,9		56,8	56,5	55,8	54,5	52,4	49,4	45,4				
40-250/92	9,2	226,5		•	52,8	67,4			65,5	64,4	63,0	61,2	58,7					
40-250/110A	11	226,5		•	52,8	67,4			65,5	64,4	63,0	61,2	58,7					
40-250/110	11	239		•	53,0	75,3			74,0	72,8	71,3	69,2	66,7	63,6				
40-250/150	15,0	259	•		53,8	91,5				88,8	87,3	85,4	82,8	79,7	76,1	72,4		

PUMP TYPE	P _N kW	Ø mm	F (1)	T (2)	η _p % (3)	Q = DELIVERY												
						l/s	2,7	4,1	5,5	7,0	8,4	9,9	11,3	12,7	14,2	15,6	17,1	18,5
						0	10	15	20	25	30	35	41	46	51	56	61	67
						H = TOTAL HEAD METRES COLUMN OF WATER												
50-125/15*	1,5	105		•	59,8	14,4	14,3	13,9	13,0	11,7	9,9	7,6						
50-125/22*	2,2	118		•	64,6	18,9		18,0	17,4	16,4	14,9	12,9	10,3					
50-125/30	3	130		•	67,3	23,2		22,4	21,9	21,1	20,0	18,4	16,3	13,7				
50-125/40	4	135	•		67,5	26,8			25,0	24,4	23,4	22,1	20,3	18,1	15,4			
50-160/40	4,0	139		•	70,5	26,5		26,9	26,6	26,0	25,2	24,0	22,5	20,5				
50-160/55	5,5	154		•	72,1	32,6		33,0	32,8	32,4	31,7	30,7	29,5	27,9	26,0	23,7		
50-160/75	7,5	165	•		73,8	39,8			40,2	39,9	39,3	38,5	37,5	36,2	34,6	32,7	30,5	27,9
50-200/75	7,5	179		•	61,5	42,9		43,2	42,8	42,1	40,8	38,9	36,2	32,7	28,2			
50-200/92	9,2	189		•	62,5	48,8			48,8	48,1	47,1	45,5	43,2	40,2	36,4	31,6		
50-200/110A	11	189		•	62,5	48,8			48,8	48,1	47,1	45,5	43,2	40,2	36,4	31,6		
50-200/110	11	199	•		63,6	55,0			55,1	54,5	53,6	52,2	50,3	47,8	44,5	40,4	35,4	
50-250/110	11	210		•	60,6	60,6			58,8	57,8	56,5	55,1	53,3	51,2				
50-250/150	15	228		•	61,7	73,4				71,5	70,2	68,6	66,7	64,6	62,0	59,1		
50-250/185	18,5	243		•	62,4	84,0				83,1	81,9	80,3	78,3	76,1	73,4	70,5	67,1	
50-250/220	22	257,5	•		63,9	95,6				94,8	93,9	92,7	91,0	88,8	86,3	83,4	80,2	

PUMP TYPE	P _N kW	Ø mm	F (1)	T (2)	η _p % (3)	Q = DELIVERY												
						l/s	5,017	7	9,914	12,36	14,81	17,26	19,71	22,16	24,61	27,06	29,505	31,954
						0	18	27	36	45	53	62	71	80	89	97	106	115
						H = TOTAL HEAD METRES COLUMN OF WATER												
65-125/30	3	118		•	70,9	18,3	17,7	17,3	16,5	15,1	12,9	10,0	6,3					
65-125/40	4	130		•	72,3	21,7		20,8	20,1	19,0	17,2	14,8	11,6	7,7				
65-125/55	5,5	144		•	74,1	26,7		25,7	25,1	24,3	22,9	21,0	18,4	15,2	11,4			
65-125/75	7,5	148	•		75,3	30,4		29,4	28,9	28,1	27,0	25,3	23,1	20,3	16,9	12,9		
65-160/75	7,5	159		•	71,4	33,4		32,0	31,4	30,4	29,1	27,3	25,0	22,1	18,7			
65-160/92	9,2	170		•	72,6	38,1		36,6	36,0	35,1	33,9	32,4	30,4	27,8	24,8	21,2		
65-160/110A	11	170		•	72,6	38,1		36,6	36,0	35,1	33,9	32,4	30,4	27,8	24,8	21,2		
65-160/110	11	176	•		73,7	43,0		41,5	40,9	40,1	39,0	37,6	35,8	33,6	30,9	27,7	24,0	19,7
65-200/110	11,0	179		•	69,0	43,7		44,8	44,1	42,9	41,2	39,0	36,3	32,8				
65-200/150	15	197		•	70,7	53,5		54,9	54,4	53,4	52,0	50,1	47,8	45,0	41,5			
65-200/185	18,5	209	•		71,8	60,6		62,2	61,8	60,9	59,6	58,0	55,9	53,3	50,3	46,6		
65-250/185	18,5	220		•	68,6	67,3		68,5	68,0	66,7	64,7	62,0	58,8	55,3				
65-250/220	22	232		•	69,5	75,3			76,2	75,2	73,3	70,9	67,9	64,5	60,7			
65-250/300	30	256	•		71,4	92,7			94,0	93,3	91,9	89,8	87,2	84,2	80,7	76,8	72,6	

Hydraulic performances in compliance with ISO 9906:2012 - Grade 3B (ex ISO 9906:1999 - Annex A)

LNE-40-50-65_2p50-en_B_th

(1) Medium diameter of full impeller (2) Medium diameter of trimmed impeller (3) Hydraulic efficiency of pump *Available also in single-phase version.

e-LNE 80, 100 SERIES

HYDRAULIC PERFORMANCE TABLE AT 50 Hz, 2 POLES

PUMP TYPE	P _N kW	Ø mm	F (1)	T (2)	η _p % (3)	Q = DELIVERY												
						l/s	7	11,25	15,49	19,73	23,97	28,21	32,45	36,69	40,94	45,18	49,417	54
						m ³ /h	25	40	56	71	86	102	117	132	147	163	178	193
H = TOTAL HEAD METRES COLUMN OF WATER																		
80-160/75	7,5	145		•	75,9	28,1	27,6	26,8	25,6	23,8	21,5	18,7	15,4					
80-160/92	9,2	151		•	75,9	30,8		29,9	29,0	27,3	24,9	21,8	18,2					
80-160/110A	11	151		•	76,9	31,9		30,7	29,6	27,9	25,8	23,1	20,0	16,5				
80-160/110	11	159		•	77,7	35,6		34,4	33,3	31,8	29,7	27,2	24,3	21,0	17,2			
80-160/150	15	175		•	79,5	43,5		42,5	41,4	40,0	38,1	35,9	33,3	30,2	26,8	23,0		
80-160/185	18,5	180	•		80,1	46,2		45,2	44,1	42,7	40,9	38,7	36,2	33,2	29,9	26,2	22,2	
80-200/185	18,5	189		•	72,7	49,9		50,2	48,7	46,5	43,7	40,2	35,7	29,7				
80-200/220	22	199		•	73,6	55,6		56,2	54,7	52,6	50,0	46,7	42,7	37,6	30,8			
80-200/300	30	220	•		75,4	68,6		69,7	68,4	66,5	64,1	61,2	57,8	53,7	48,6	42,3		
80-250/370	37	229	•		75,2	76,0		77,2	77,0	75,9	73,8	70,9	67,5	63,7	59,7	55,3	49,8	41,3

PUMP TYPE	P _N kW	Ø mm	F (1)	T (2)	η _p % (3)	Q = DELIVERY												
						l/s	12	18,83	25,43	32,03	38,63	45,24	51,84	58,44	65,04	71,64	78,246	85
						m ³ /h	44	68	92	115	139	163	187	210	234	258	282	305
H = TOTAL HEAD METRES COLUMN OF WATER																		
100-160/110	11	144		•	76,3	26,7	25,6	24,9	23,8	22,1	19,8	16,8	13,2					
100-160/150	15	158		•	77,9	32,4		30,5	29,5	28,1	26,2	23,6	20,5	16,7	12,3			
100-160/185	18,5	168		•	79,0	36,8		34,9	34,0	32,7	30,9	28,6	25,8	22,3	18,3	13,7		
100-160/220	22	177	•		80,0	41,1		39,2	38,2	37,0	35,4	33,3	30,7	27,5	23,8	19,5	14,7	
100-200/220	22	181		•	77,5	44,1		44,3	42,8	40,7	38,1	34,8	30,6	25,5	18,9			
100-200/300	30	195		•	79,1	53,3		54,0	52,7	50,8	48,4	45,5	41,9	37,7	32,5	26,1		
100-200/370	37	208	•		80,3	61,0		62,0	60,8	59,1	56,8	54,1	50,9	47,1	42,5	37,1	30,6	22,7
100-250/370	37	214	•		76,7	65,0		64,9	64,7	64,2	63,4	62,2	60,6	58,7	56,4	53,8	50,9	

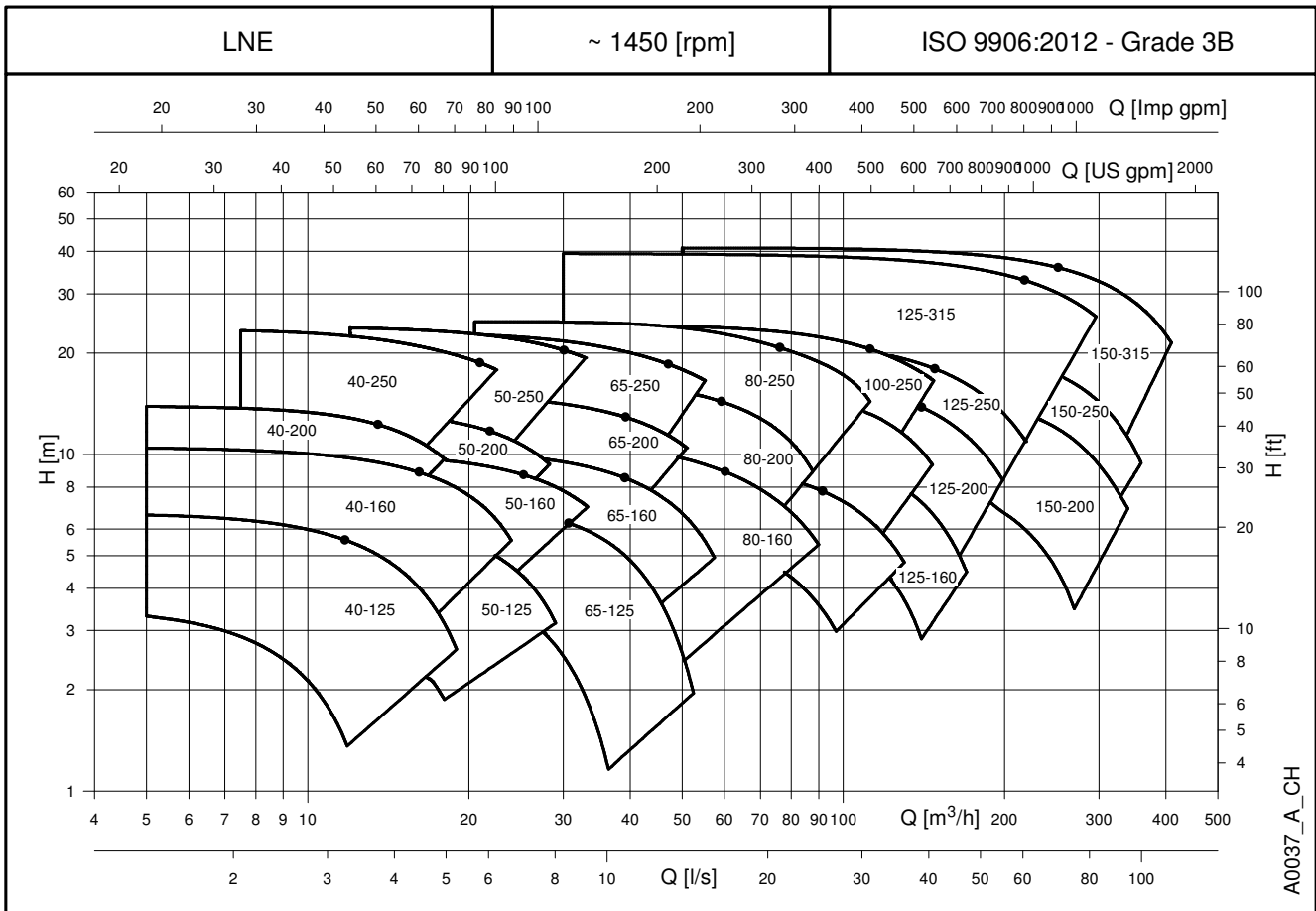
Hydraulic performances in compliance with ISO 9906:2012 - Grade 3B (ex ISO 9906:1999 - Annex A)

LNE-80-100_2p50-en_B_th

(1) Medium diameter of full impeller (2) Medium diameter of trimmed impeller (3) Hydraulic efficiency of pump.

e-LNE SERIES

HYDRAULIC PERFORMANCE RANGE AT 50 Hz, 4 POLES



e-LNE 40, 50, 65 SERIES

HYDRAULIC PERFORMANCE RANGE AT 50 Hz, 4 POLES

PUMP TYPE	P _N kW	Ø mm	F (1)	T (2)	η _p % (3)	Q = DELIVERY												
						l/s	0,9	1,4	2,0	2,5	3,1	3,6	4,2	4,7	5,3	5,8	6,4	6,9
						m ³ /h	3	5	7	9	11	13	15	17	19	21	23	25
H = TOTAL HEAD METRES COLUMN OF WATER																		
40-125/02B	0,25	113		•	56,7	3,4	3,5	3,4	3,1	2,6	2,0							
40-125/02A	0,25	123		•	59,6	4,3		4,2	4,0	3,6	3,1	2,3						
40-125/02	0,25	133		•	60,1	5,2		5,3	5,1	4,7	4,2	3,5	2,7					
40-125/03	0,37	145	•		61,2	6,5		6,5	6,4	6,1	5,6	5,0	4,2	3,3				
40-160/03	0,37	150		•	60,4	6,8		6,8	6,6	6,3	5,8	5,2	4,5					
40-160/05	0,55	161		•	61,6	8,1		8,2	8,1	7,9	7,5	6,9	6,3	5,5	4,6			
40-160/07	0,75	171	•		63,6	9,6		9,8	9,8	9,6	9,3	8,8	8,3	7,5	6,7	5,7	4,6	
40-200/05	0,55	171		•	53,0	9,5		9,2	9,0	8,5	7,8	6,7						
40-200/07	0,75	186		•	54,6	11,6		11,3	11,1	10,8	10,2	9,4	8,2					
40-200/11	1,1	205	•		56,5	14,3		13,9	13,8	13,5	13,1	12,4	11,5	10,4				
40-250/11	1,1	226,5		•	51,5	16,9			16,1	15,8	15,5	15,0	14,3	13,4	12,3			
40-250/15A	1,5	226,5		•	51,5	16,9			16,1	15,8	15,5	15,0	14,3	13,4	12,3			
40-250/15	1,5	239		•	51,8	18,7			18,1	17,8	17,3	16,8	16,0	15,1	13,9			
40-250/22	2,2	259	•		53,2	22,8				21,8	21,4	20,9	20,2	19,5	18,5	17,4	16,2	14,7

PUMP TYPE	P _N kW	Ø mm	F (1)	T (2)	η _p % (3)	Q = DELIVERY												
						l/s	1,3	2,1	2,8	3,5	4,2	4,9	5,7	6,4	7,1	7,8	8,5	9,3
						m ³ /h	5	7	10	13	15	18	20	23	26	28	31	33
H = TOTAL HEAD METRES COLUMN OF WATER																		
50-125/02A	0,25	105		•	64,8	3,3	3,3	3,2	3,0	2,6	2,1	1,5						
50-125/02	0,25	118		•	66,6	4,2		4,0	3,9	3,6	3,3	2,7	2,1					
50-125/03	0,37	130		•	68,2	5,1		5,0	4,8	4,6	4,3	3,9	3,3	2,7				
50-125/05	0,55	135	•		70,0	6,2			5,9	5,8	5,5	5,2	4,7	4,2	3,5	2,7		
50-160/05	0,55	139		•	66,3	6,5		6,5	6,4	6,3	6,1	5,8	5,4	4,9				
50-160/07	0,75	154		•	68,0	8,0		8,0	7,9	7,8	7,7	7,4	7,1	6,7	6,2	5,5		
50-160/11	1,1	165	•		69,7	9,8			9,7	9,7	9,5	9,3	9,1	8,7	8,3	7,8	7,2	6,5
50-200/11A	1,1	179		•	59,1	10,5		10,5	10,4	10,2	9,9	9,3	8,6	7,7	6,5			
50-200/11	1,1	189		•	60,2	11,9			11,9	11,7	11,4	11,0	10,3	9,5	8,5	7,3		
50-200/15	1,5	199	•		61,3	13,5			13,4	13,3	13,0	12,6	12,1	11,4	10,5	9,4	8,1	
50-250/15	1,5	210		•	58,2	14,9			14,5	14,3	13,9	13,5	13,0	12,4	11,6			
50-250/22A	2,2	228		•	60,2	18,1				17,6	17,3	16,8	16,3	15,7	15,0	14,2		
50-250/22	2,2	243		•	60,7	20,7				20,0	19,7	19,3	18,8	18,2	17,5	16,8		
50-250/30	3	257,5	•		61,9	23,5				23,2	22,9	22,6	22,1	21,6	20,9	20,2	19,4	

PUMP TYPE	P _N kW	Ø mm	F (1)	T (2)	η _p % (3)	Q = DELIVERY												
						l/s	2,5	4	4,95	6,176	7,401	8,626	9,851	11,08	12,3	13,53	14,752	15,977
						m ³ /h	9	13	18	22	27	31	35	40	44	49	53	58
H = TOTAL HEAD METRES COLUMN OF WATER																		
65-125/03	0,37	118		•	70,0	4,5	4,4	4,2	4,1	3,7	3,1	2,3						
65-125/05	0,55	130		•	71,4	5,3		5,1	4,9	4,7	4,2	3,5	2,7	1,7				
65-125/07	0,75	144		•	73,2	6,5		6,3	6,2	6,0	5,6	5,1	4,4	3,5	2,5			
65-125/11	1,1	148	•		74,5	7,4		7,2	7,1	6,9	6,6	6,2	5,6	4,9	3,9	2,9		
65-160/11A	1,1	159		•	68,7	8,2		7,8	7,6	7,4	7,0	6,6	6,0	5,2	4,3			
65-160/11	1,1	170		•	69,8	9,4		8,9	8,7	8,5	8,2	7,8	7,3	6,7	5,9	4,9		
65-160/15	1,5	176	•		70,9	10,6		10,1	9,9	9,7	9,5	9,1	8,7	8,1	7,4	6,6	5,6	4,5
65-200/15	1,5	179		•	67,8	11,0		10,9	10,7	10,4	9,9	9,4	8,6	7,7				
65-200/22A	2,2	197		•	69,4	13,5		13,4	13,2	12,9	12,6	12,1	11,5	10,7	9,8			
65-200/22	2,2	209	•		70,5	15,3		15,2	15,0	14,8	14,4	14,0	13,5	12,8	12,0	11,0		
65-250/22	2,2	220		•	67,0	16,8		16,7	16,4	16,1	15,5	14,8	14,0	13,0				
65-250/30	3	232		•	67,9	18,8			18,5	18,1	17,6	16,9	16,2	15,3	14,3			
65-250/40	4	256	•		69,8	23,1			22,8	22,6	22,1	21,6	20,9	20,0	19,1	18,2	17,1	

Hydraulic performances in compliance with ISO 9906:2012 - Grade 3B (ex ISO 9906:1999 - Annex A)

LNE-40-50-65_4p50-en_B_th

(1) Medium diameter of full impeller (2) Medium diameter of trimmed impeller (3) Hydraulic efficiency of pump.

e-LNE 80, 100 SERIES

HYDRAULIC PERFORMANCE RANGE AT 50 Hz, 4 POLES

PUMP TYPE	P _N kW	Ø mm	F (1)	T (2)	η _p % (3)	Q = DELIVERY												
						l/s	4	6,098	8,697	11,3	13,89	16,49	19,09	21,69	24,29	26,89	29,485	32
						0	13	22	31	41	50	59	69	78	87	97	106	116
						H = TOTAL HEAD METRES COLUMN OF WATER												
80-160/11A	1,1	145		•	73,5	7,0	6,9	6,6	6,1	5,5	4,6	3,6						
80-160/15B	1,5	145		•	73,5	7,0	6,9	6,6	6,1	5,5	4,6	3,6						
80-160/11	1,1	151		•	74,5	8,0		7,6	7,1	6,5	5,7	4,8	3,6					
80-160/15A	1,5	151		•	74,5	8,0		7,6	7,1	6,5	5,7	4,8	3,6					
80-160/15	1,5	159		•	75,4	8,9		8,5	8,1	7,5	6,7	5,8	4,8					
80-160/22A	2,2	175		•	77,2	10,9		10,5	10,1	9,6	8,9	8,1	7,1	6,0				
80-160/22	2,2	180	•		77,8	11,5		11,2	10,8	10,3	9,6	8,8	7,8	6,7	5,5			
80-200/22	2,2	189		•	73,4	12,8		12,3	11,9	11,2	10,1	8,6	6,7					
80-200/30	3	199		•	74,4	14,3		13,8	13,4	12,7	11,7	10,4	8,6					
80-200/40	4	220	•		76,3	17,6		17,1	16,8	16,2	15,4	14,3	12,8	11,0	8,9			
80-250/55A	5,5	229		•	73,3	18,7		19,0	18,9	18,5	17,6	16,4	15,0	13,6	12,4			
80-250/55	5,5	243		•	74,5	21,2		21,5	21,4	21,1	20,4	19,3	17,9	16,5	15,1	13,8		
80-250/75	7,5	258	•		75,7	24,0		24,3	24,3	24,1	23,5	22,6	21,3	19,8	18,3	16,9	15,6	14,0

PUMP TYPE	P _N kW	Ø mm	F (1)	T (2)	η _p % (3)	Q = DELIVERY												
						l/s	6	9,727	13,34	16,95	20,56	24,17	27,78	31,39	35	38,61	42,223	46
						0	22	35	48	61	74	87	100	113	126	139	152	165
						H = TOTAL HEAD METRES COLUMN OF WATER												
100-160/15	1,5	144		•	76,0	6,6	6,3	6,1	5,8	5,3	4,6	3,7	2,7					
100-160/22A	2,2	158		•	77,6	8,0		7,5	7,3	6,9	6,3	5,5	4,5	3,5				
100-160/22	2,2	168		•	78,7	9,1		8,6	8,4	8,0	7,5	6,8	5,9	4,9	3,7			
100-160/30	3	177	•		79,7	10,1		9,7	9,4	9,1	8,6	7,9	7,1	6,2	5,1	3,9		
100-200/30	3	181		•	77,1	11,3		10,8	10,3	9,7	8,9	7,8	6,5	5,1				
100-200/40	4	195		•	78,7	13,7		13,1	12,8	12,2	11,5	10,5	9,4	8,1	6,6			
100-200/55A	5,5	208		•	80,0	15,6		15,1	14,7	14,2	13,6	12,7	11,7	10,5	9,1	7,5	5,7	
100-200/55	5,5	219	•		81,0	17,4		16,9	16,5	16,1	15,4	14,6	13,7	12,5	11,2	9,7	8,1	6,3
100-250/55A	5,5	214		•	77,3	16,5		16,0	15,7	15,2	14,4	13,4	12,2					
100-250/55	5,5	227		•	78,2	18,7		18,1	17,8	17,4	16,7	15,8	14,7	13,4				
100-250/75	7,5	241		•	79,3	21,2		20,6	20,3	19,9	19,3	18,5	17,5	16,3	14,9			
100-250/110	11	259	•		80,6	24,6		24,0	23,7	23,3	22,8	22,1	21,2	20,2	18,9	17,4		

Hydraulic performances in compliance with ISO 9906:2012 - Grade 3B (ex ISO 9906:1999 - Annex A)

LNE-80-100_4p50-en_B_th

(1) Medium diameter of full impeller (2) Medium diameter of trimmed impeller (3) Hydraulic efficiency of pump.

e-LNE 125, 150 SERIES

HYDRAULIC PERFORMANCE TABLE AT 50 Hz, 4 POLES

PUMP TYPE	P _N kW	Ø mm	F (1)	T (2)	η _p % (3)	Q = DELIVERY													
						l/s	0	5	13,13	21,26	29,39	37,53	45,66	53,79	61,92	70,05	78,18	86,313	94
						m ³ /h	0	18	47	77	106	135	164	194	223	252	281	311	340
H = TOTAL HEAD METRES COLUMN OF WATER																			
125-160/22	2,2	156		•	75,2	7,3	7,4	7,1	6,5	5,3	3,3								
125-160/30	3	176		•	78,2	9,5		9,3	8,6	7,4	5,4								
125-160/40	4	190	•		80,2	11,3		10,9	10,4	9,3	7,6	5,0							
125-200/55	5,5	213		•	81,1	14,6		14,5	14,1	13,2	11,5	9,0							
125-200/75	7,5	229	•		81,7	17,2		17,0	16,6	15,7	14,2	11,8	8,9						
125-250/75	7,5	234		•	79,9	18,0		17,9	17,3	16,2	14,5	12,2	9,4						
125-250/110	11	259	•		80,4	22,1		22,1	21,6	20,5	18,9	16,7	13,8						
125-315/150	15	276		•	78,1	26,6		26,2	25,6	24,7	23,5	22,0	20,1	17,7	14,6				
125-315/185	18,5	295		•	79,6	30,7		30,3	29,8	28,9	27,8	26,3	24,5	22,2	19,4	16,1			
125-315/220	22	310		•	80,4	34,0		33,7	33,2	32,4	31,3	29,9	28,2	26,0	23,3	20,1	16,4		
125-315/300	30	334	•		80,5	39,6		39,3	39,0	38,4	37,5	36,2	34,6	32,5	30,1	27,2	24,1	20,6	

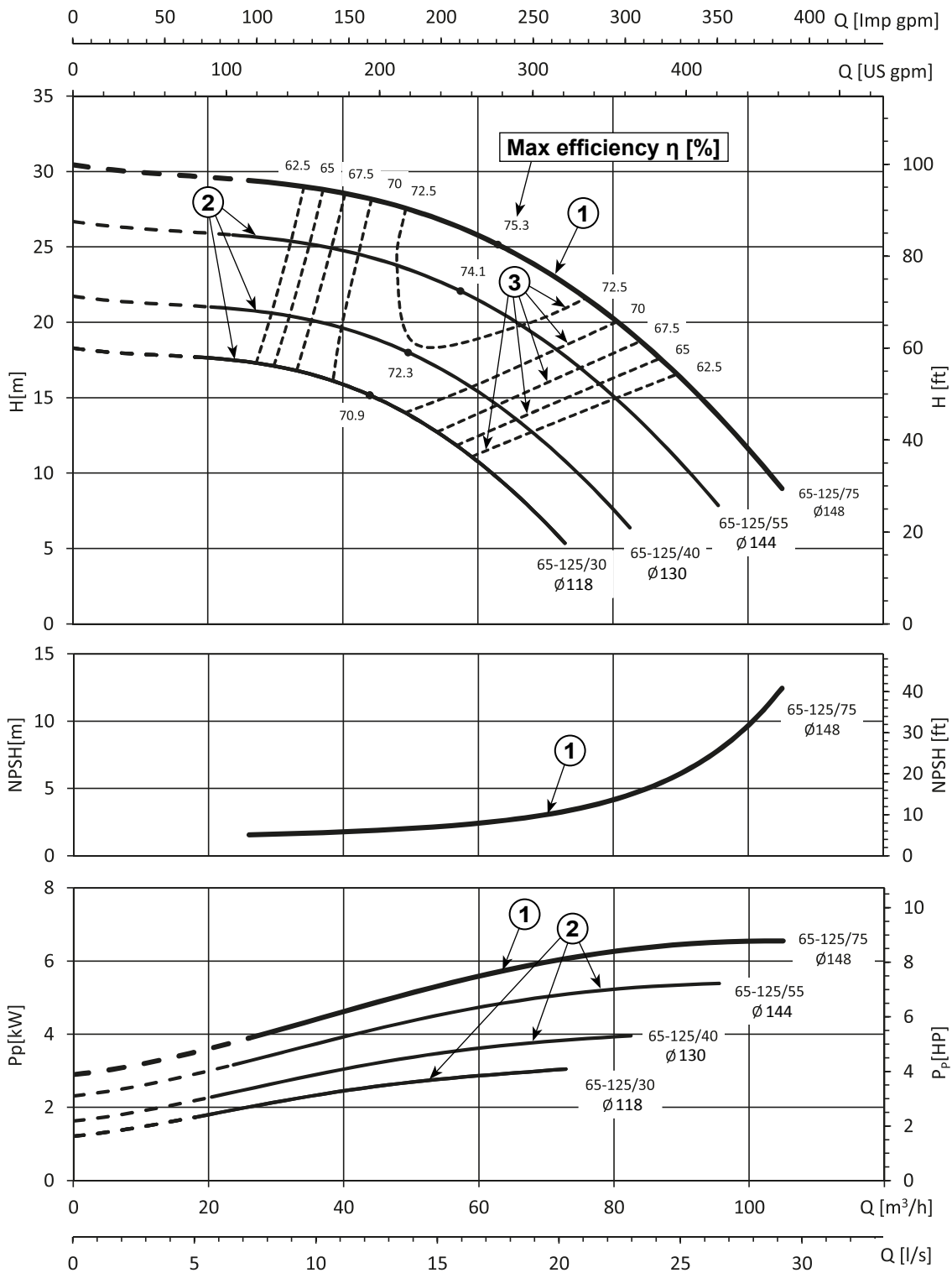
PUMP TYPE	P _N kW	Ø mm	F (1)	T (2)	η _p % (3)	Q = DELIVERY													
						l/s	0	10	19,19	28,66	38,13	47,6	57,07	66,54	76,01	85,48	94,95	104,42	114
						m ³ /h	0	35	69	103	137	171	205	240	274	308	342	376	410
H = TOTAL HEAD METRES COLUMN OF WATER																			
150-200/55	5,5	179		•	75,2	9,9	10,0	9,7	9,2	8,5	7,6	6,5	5,1						
150-200/75	7,5	204		•	79,4	13,1		12,7	12,3	11,7	10,8	9,8	8,4	6,6					
150-200/110	11	225	•		81,6	15,8		15,5	15,2	14,8	14,3	13,6	12,4	10,8	8,9				
150-250/110	11	235		•	80,2	17,8		17,6	17,4	16,9	16,0	14,7	13,0	10,9	8,4				
150-250/150	15	259	•		83,4	22,0		21,7	21,4	21,0	20,3	19,2	17,8	16,0	13,8	11,1			
150-315/185	18,5	277		•	79,5	26,8		26,4	25,9	25,1	23,9	22,2	20,0	17,4	14,2				
150-315/220	22	290		•	81,2	30,0		29,7	29,3	28,6	27,5	26,0	24,2	21,8	18,9	15,5			
150-315/300	30	315		•	82,6	36,0		36,0	35,8	35,2	34,4	33,1	31,5	29,3	26,7	23,5	19,8		
150-315/370	37	334	•		82,7	40,8		41,0	40,7	40,2	39,3	38,1	36,5	34,5	32,1	29,1	25,6	21,4	

Hydraulic performances in compliance with ISO 9906:2012 - Grade 3B (ex ISO 9906:1999 - Annex A)

LNE-125-150_4p50-en_c_th

(1) Medium diameter of full impeller (2) Medium diameter of trimmed impeller (3) Hydraulic efficiency of pump.

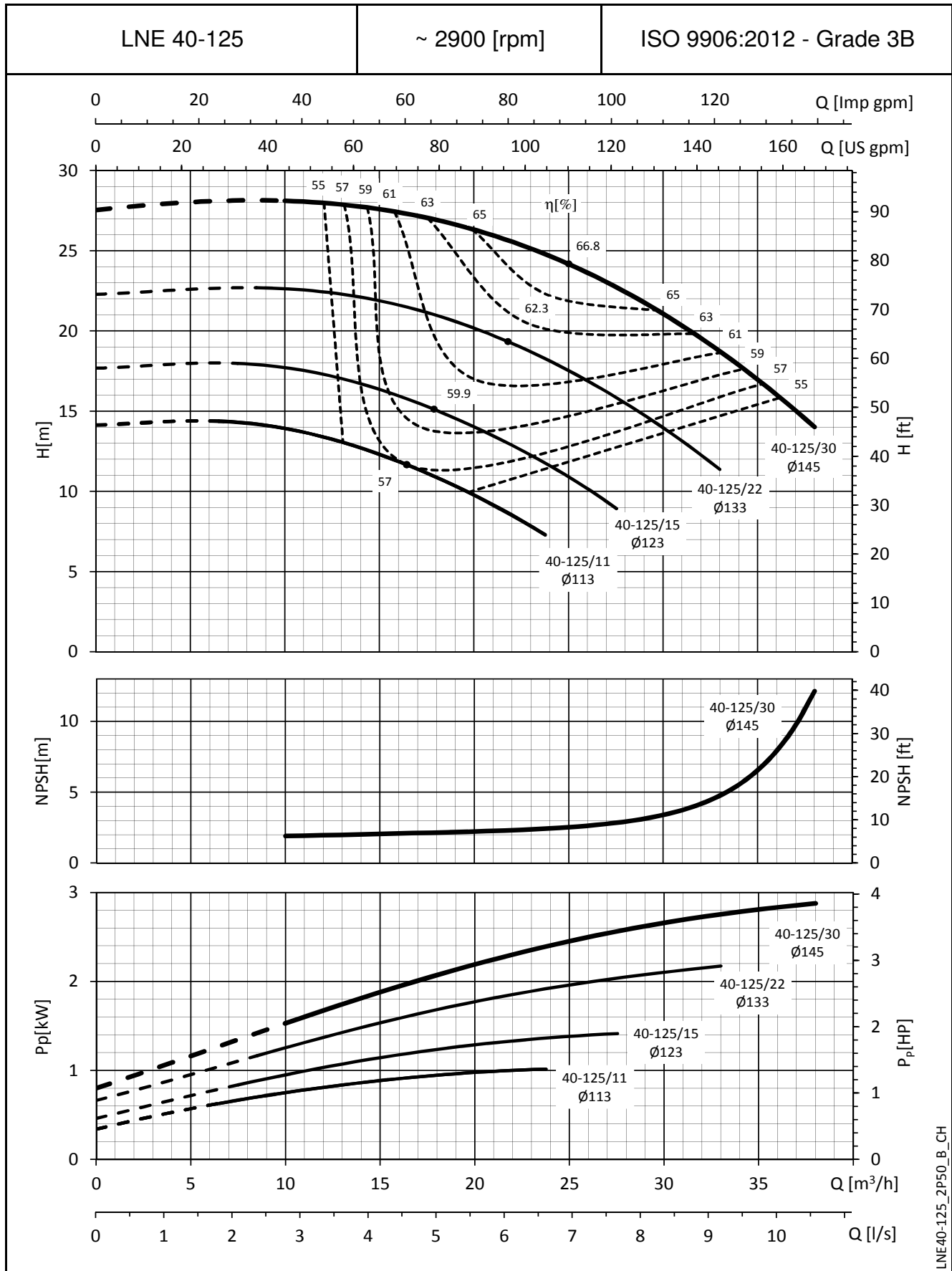
**e-LNE SERIES
IDENTIFICATION OF GRAPH**



REF	TYPE	DESCRIPTION
①		Full Diameter impeller operating range
②		Trimmed diameter impeller operating range
③		ISO efficiency curves

e-LNE SERIES

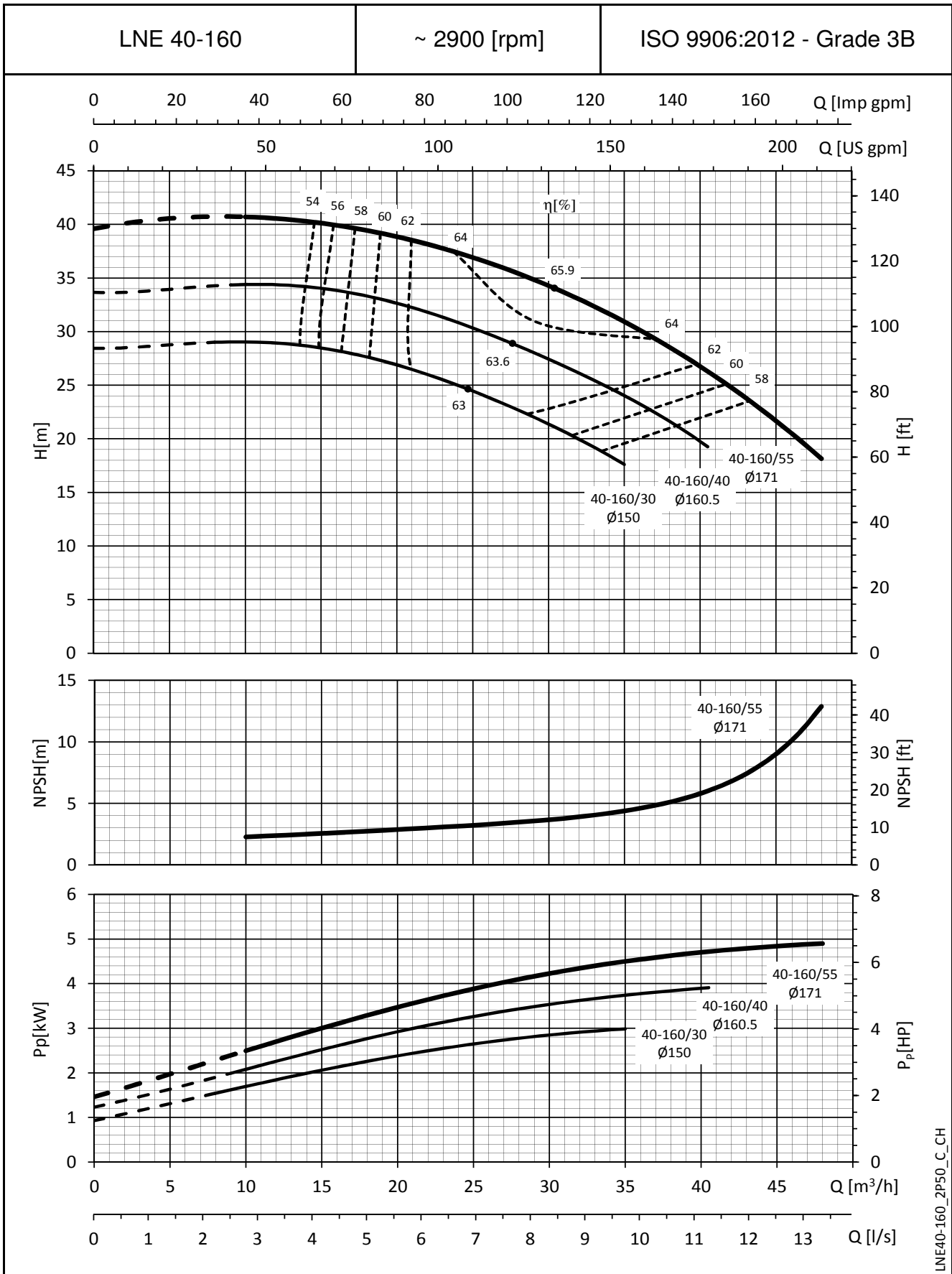
OPERATING CHARACTERISTICS AT 50 Hz, 2 POLES



LNE40-125_2P50_B_CH

The NPSH values are laboratory values; for practical use we suggest increasing these values by 0,5 m.
 These performances are valid for liquids with density $\rho = 1,0 \text{ Kg/dm}^3$ and kinematic viscosity $\nu = 1 \text{ mm}^2/\text{sec}$.

e-LNE SERIES
OPERATING CHARACTERISTICS AT 50 Hz, 2 POLES

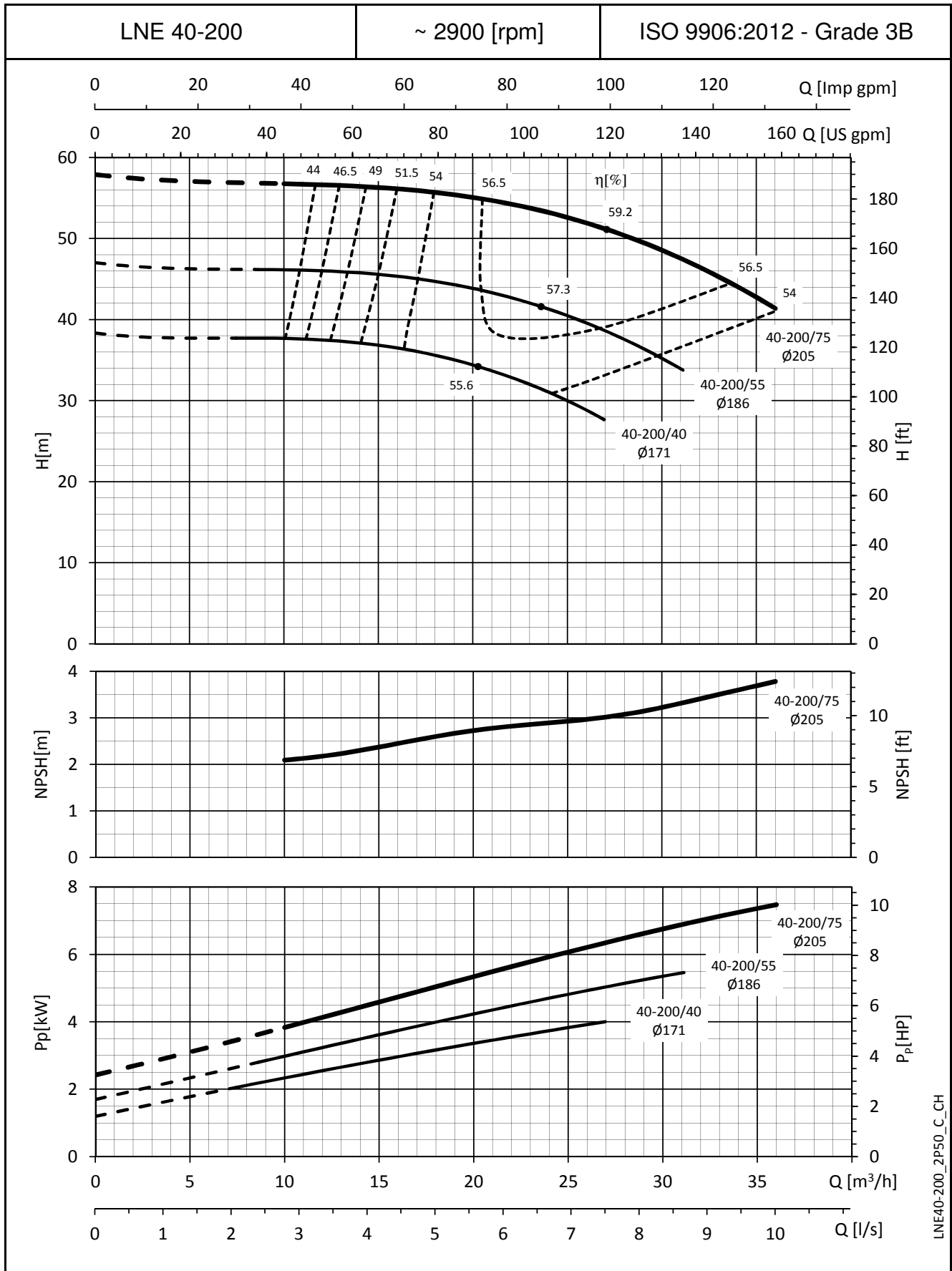


LNE40-160_2P50_C_CH

The NPSH values are laboratory values; for practical use we suggest increasing these values by 0,5 m.
 These performances are valid for liquids with density $\rho = 1,0 \text{ Kg/dm}^3$ and kinematic viscosity $\nu = 1 \text{ mm}^2/\text{sec}$.

e-LNE SERIES

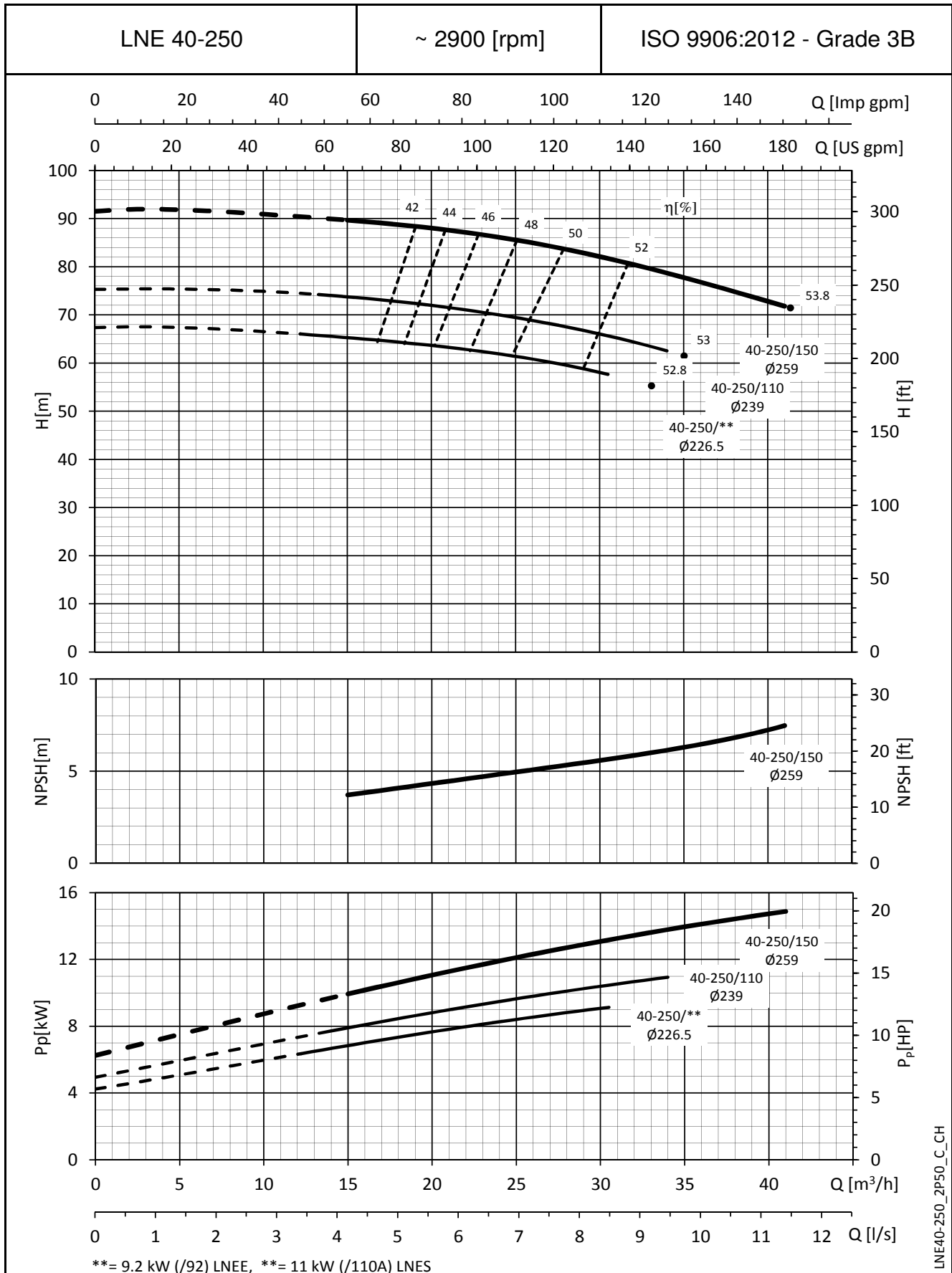
OPERATING CHARACTERISTICS AT 50 Hz, 2 POLES



The NPSH values are laboratory values; for practical use we suggest increasing these values by 0,5 m.
 These performances are valid for liquids with density $\rho = 1,0 \text{ Kg/dm}^3$ and kinematic viscosity $\nu = 1 \text{ mm}^2/\text{sec}$.

e-LNE SERIES

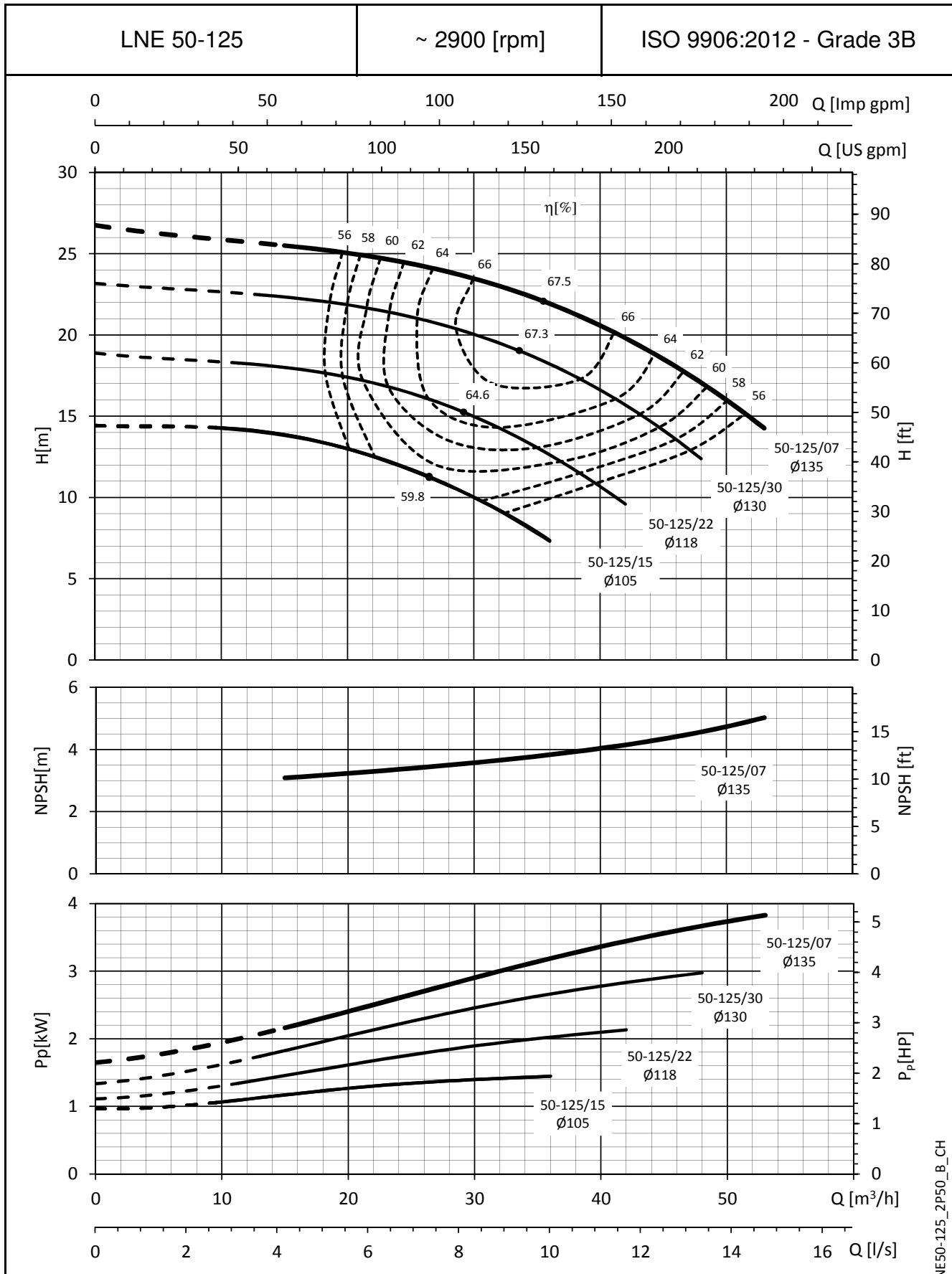
OPERATING CHARACTERISTICS AT 50 Hz, 2 POLES



The NPSH values are laboratory values; for practical use we suggest increasing these values by 0,5 m.
 These performances are valid for liquids with density $\rho = 1,0 \text{ Kg/dm}^3$ and kinematic viscosity $\nu = 1 \text{ mm}^2/\text{sec}$.

e-LNE SERIES

OPERATING CHARACTERISTICS AT 50 Hz, 2 POLES

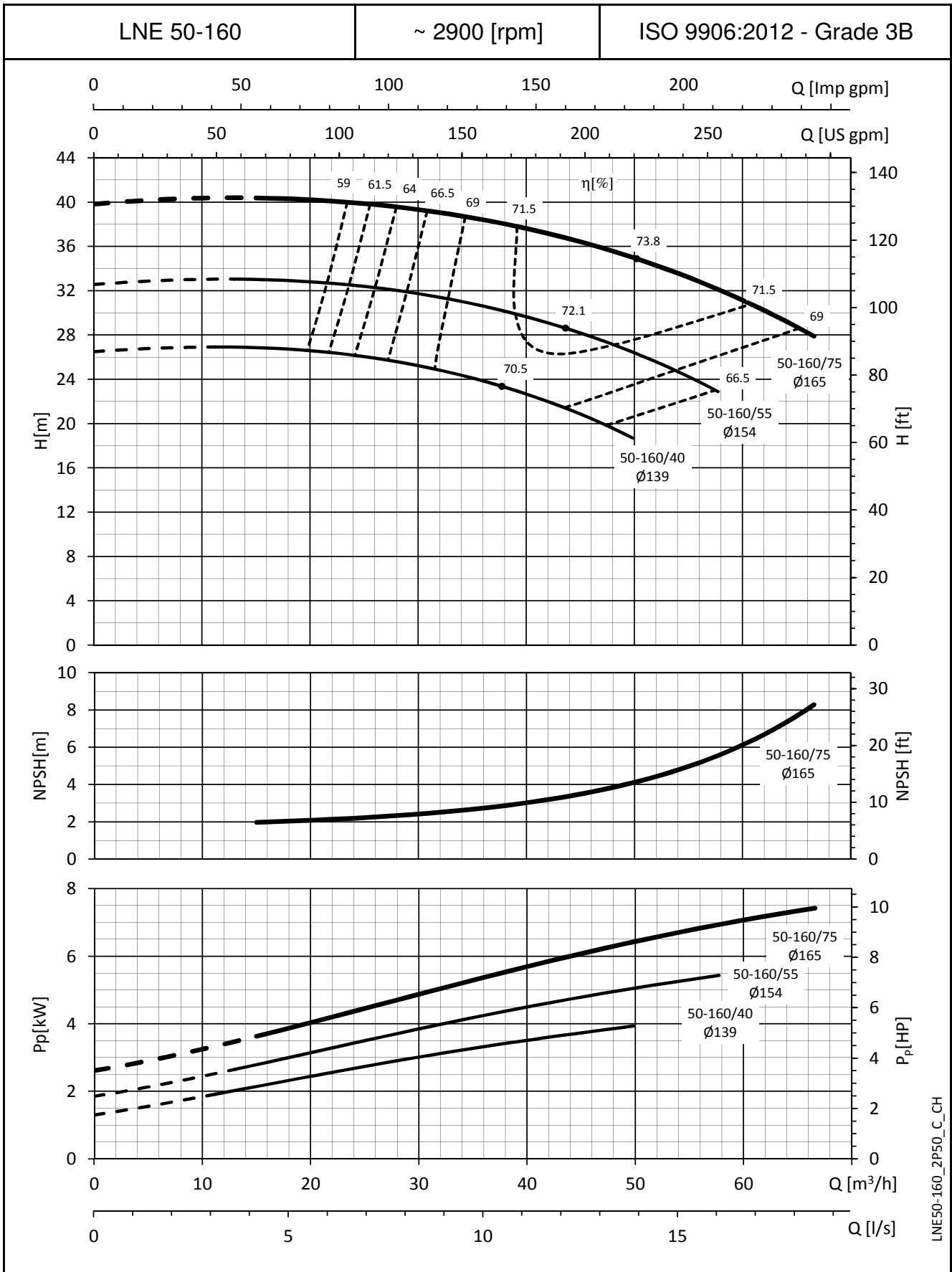


NE50-125_2P50_B_CH

The NPSH values are laboratory values; for practical use we suggest increasing these values by 0,5 m.
 These performances are valid for liquids with density $\rho = 1,0 \text{ Kg/dm}^3$ and kinematic viscosity $\nu = 1 \text{ mm}^2/\text{sec}$.

e-LNE SERIES

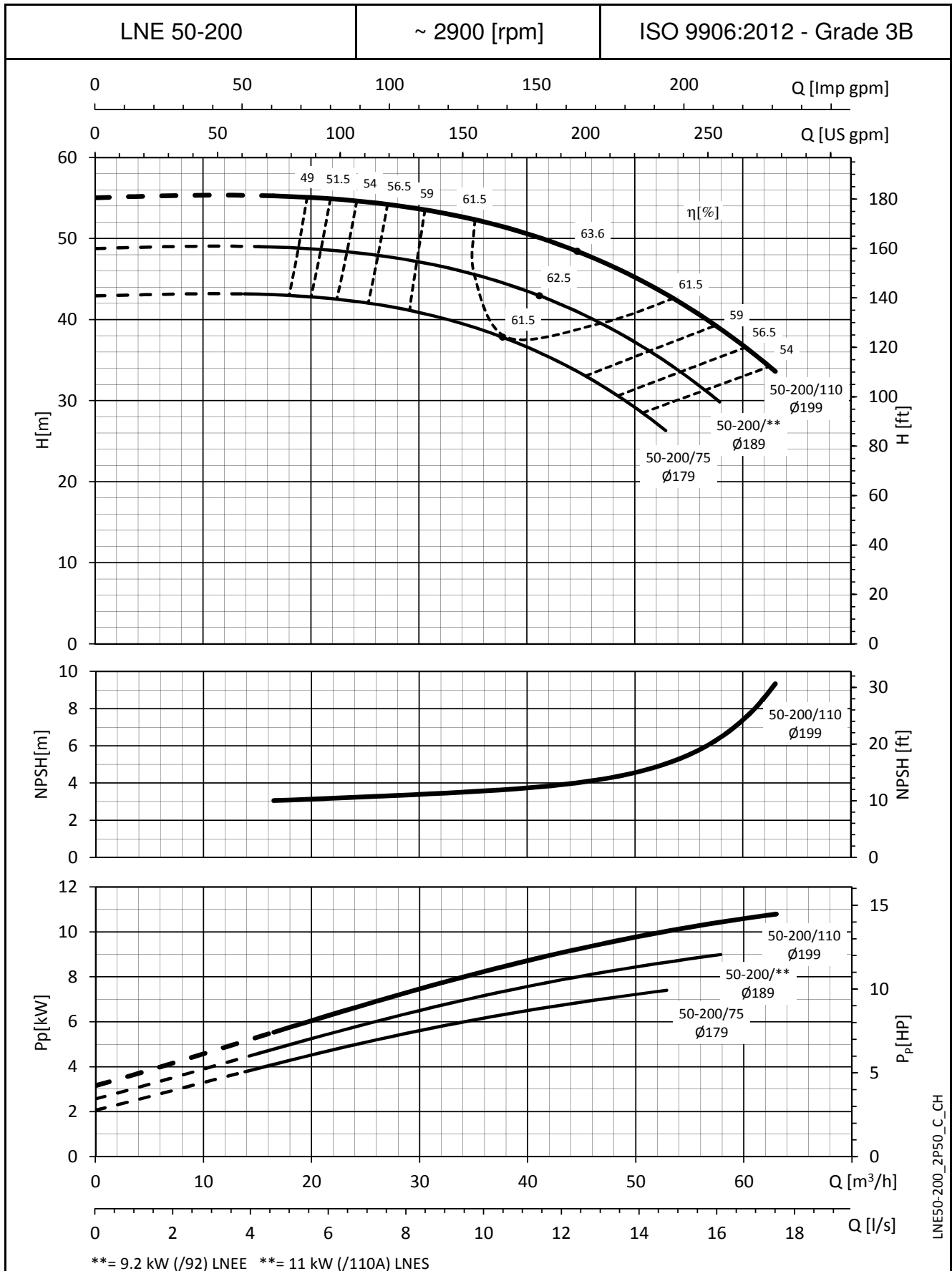
OPERATING CHARACTERISTICS AT 50 Hz, 2 POLES



The NPSH values are laboratory values; for practical use we suggest increasing these values by 0,5 m.
 These performances are valid for liquids with density $\rho = 1,0 \text{ Kg/dm}^3$ and kinematic viscosity $\nu = 1 \text{ mm}^2/\text{sec}$.

e-LNE SERIES

OPERATING CHARACTERISTICS AT 50 Hz, 2 POLES

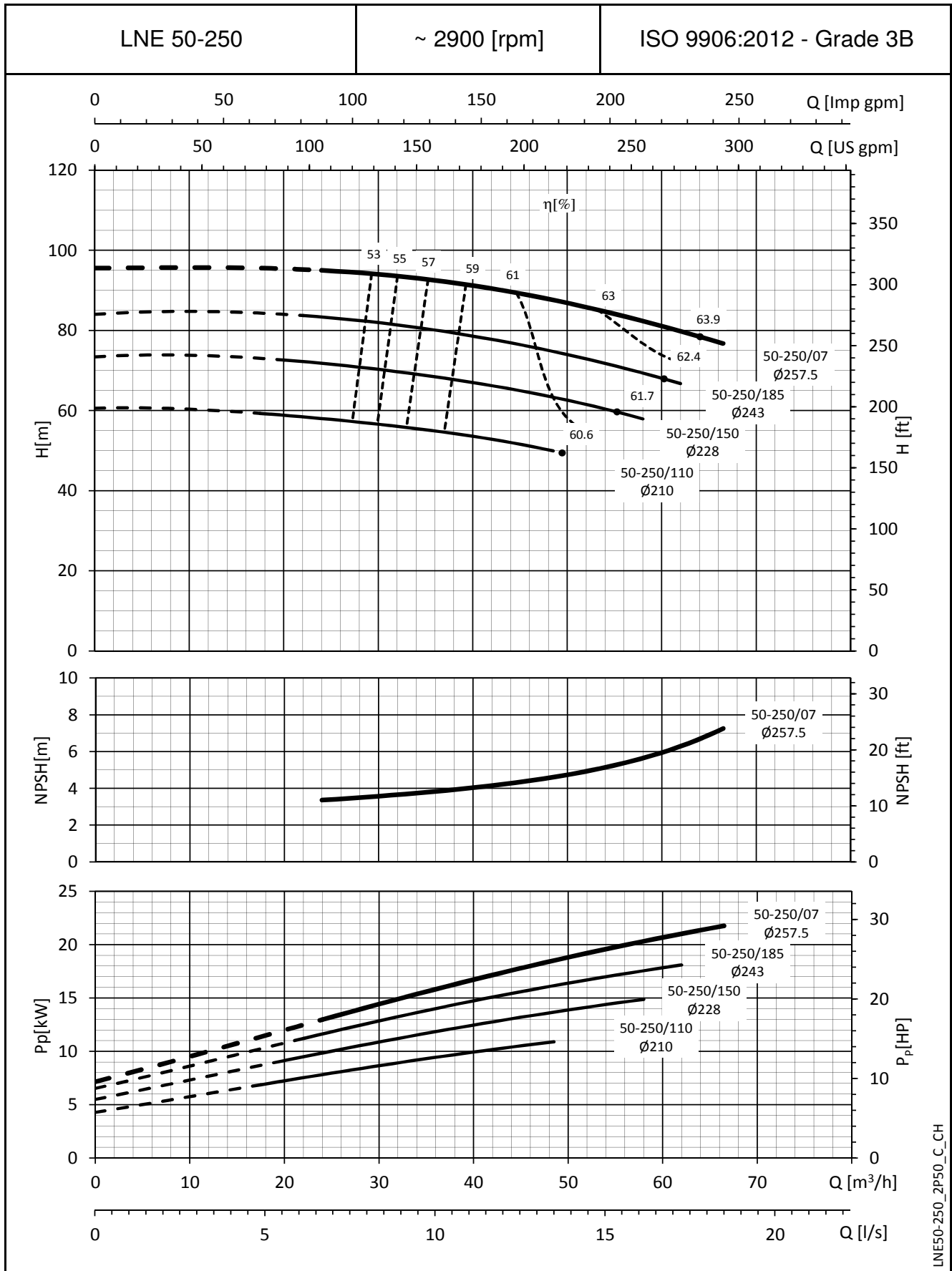


LNE50-200_2P50_C_CH

The NPSH values are laboratory values; for practical use we suggest increasing these values by 0,5 m.
 These performances are valid for liquids with density $\rho = 1,0 \text{ Kg/dm}^3$ and kinematic viscosity $\nu = 1 \text{ mm}^2/\text{sec}$.

e-LNE SERIES

OPERATING CHARACTERISTICS AT 50 Hz, 2 POLES

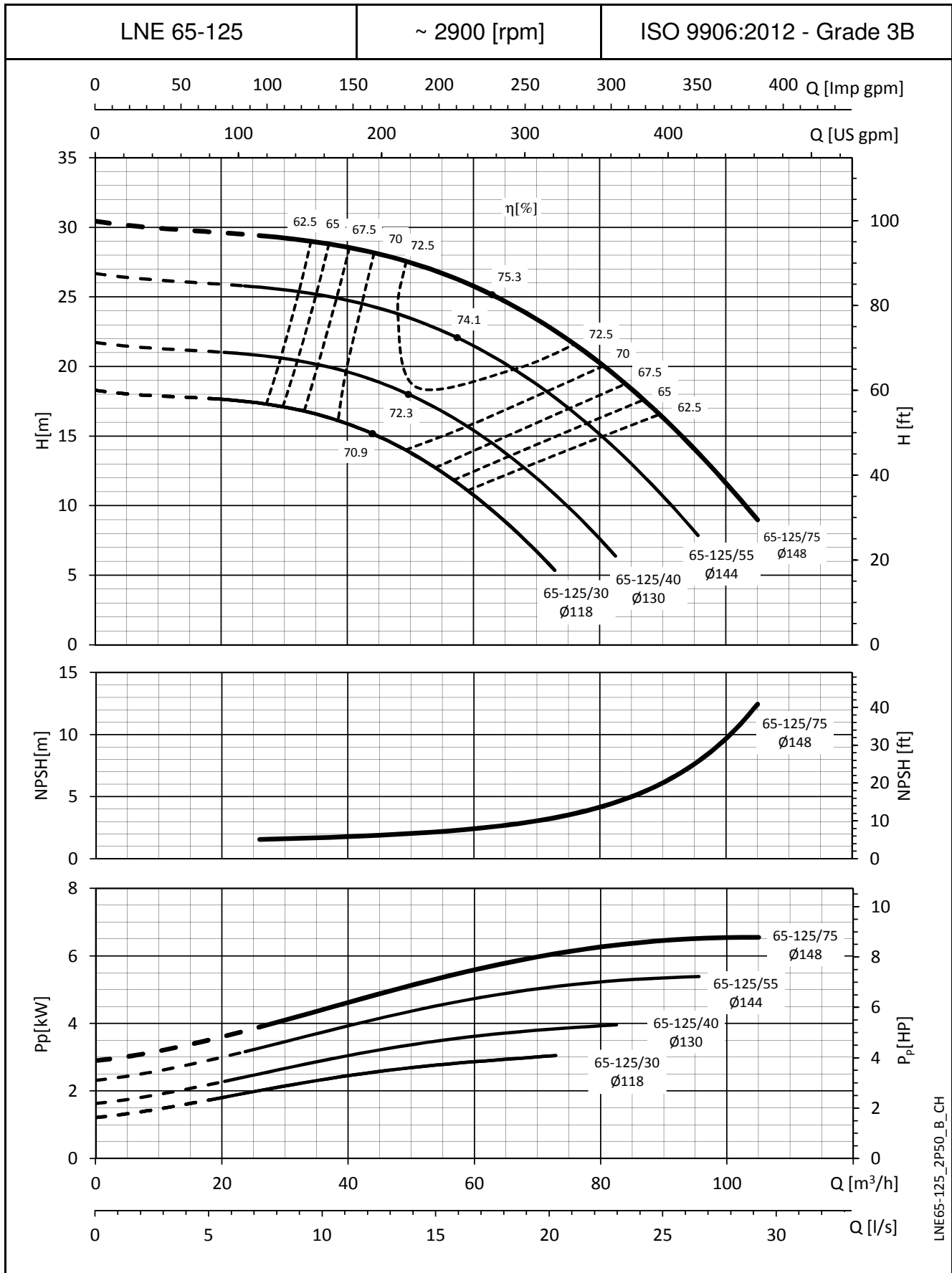


LNE50-250_2P50_C_CH

The NPSH values are laboratory values; for practical use we suggest increasing these values by 0,5 m.
 These performances are valid for liquids with density $\rho = 1,0 \text{ Kg/dm}^3$ and kinematic viscosity $\nu = 1 \text{ mm}^2/\text{sec}$.

e-LNE SERIES

OPERATING CHARACTERISTICS AT 50 Hz, 2 POLES

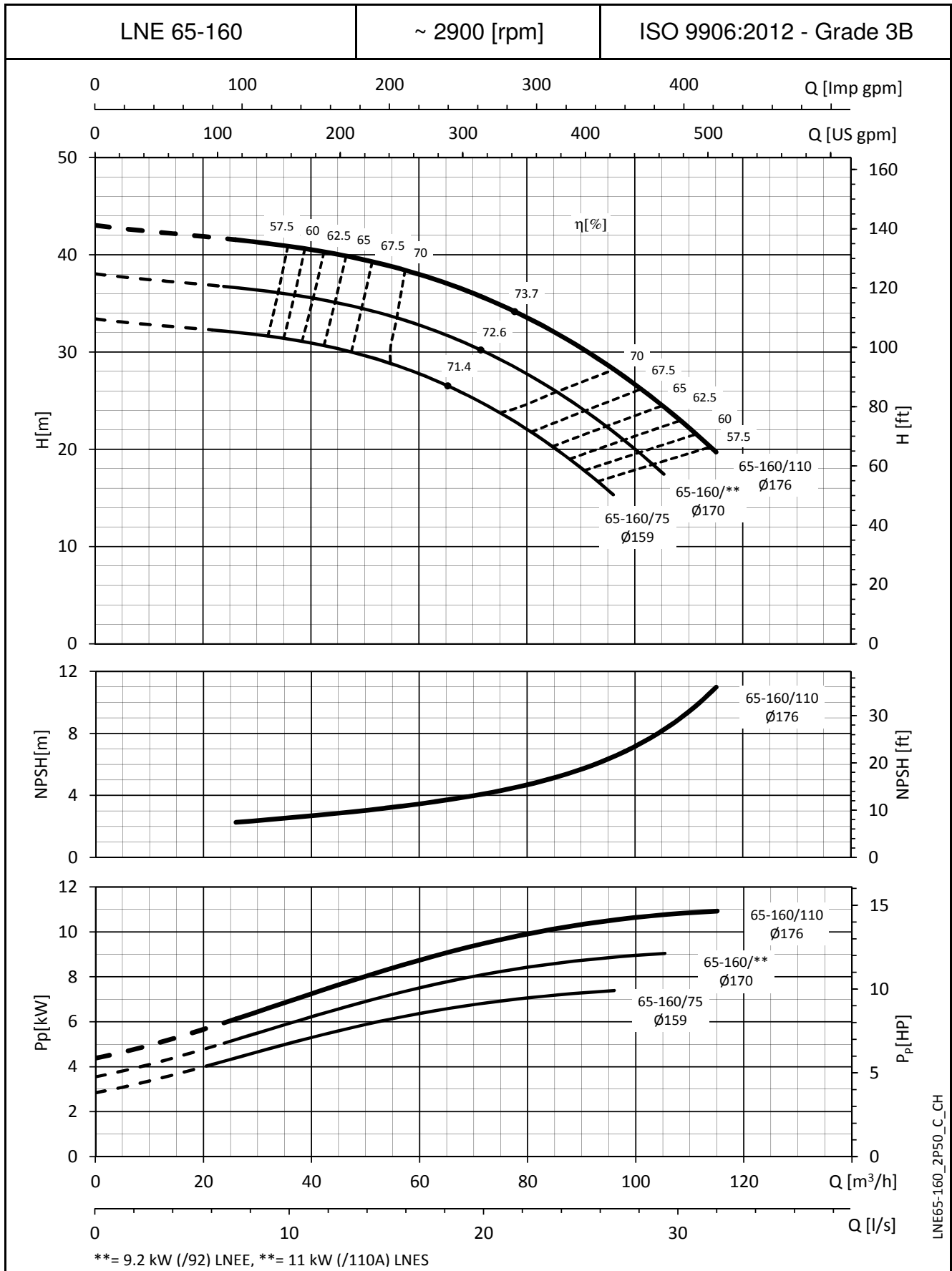


LNE65-125_2P50_B_CH

The NPSH values are laboratory values; for practical use we suggest increasing these values by 0,5 m.
 These performances are valid for liquids with density $\rho = 1,0 \text{ Kg/dm}^3$ and kinematic viscosity $\nu = 1 \text{ mm}^2/\text{sec}$.

e-LNE SERIES

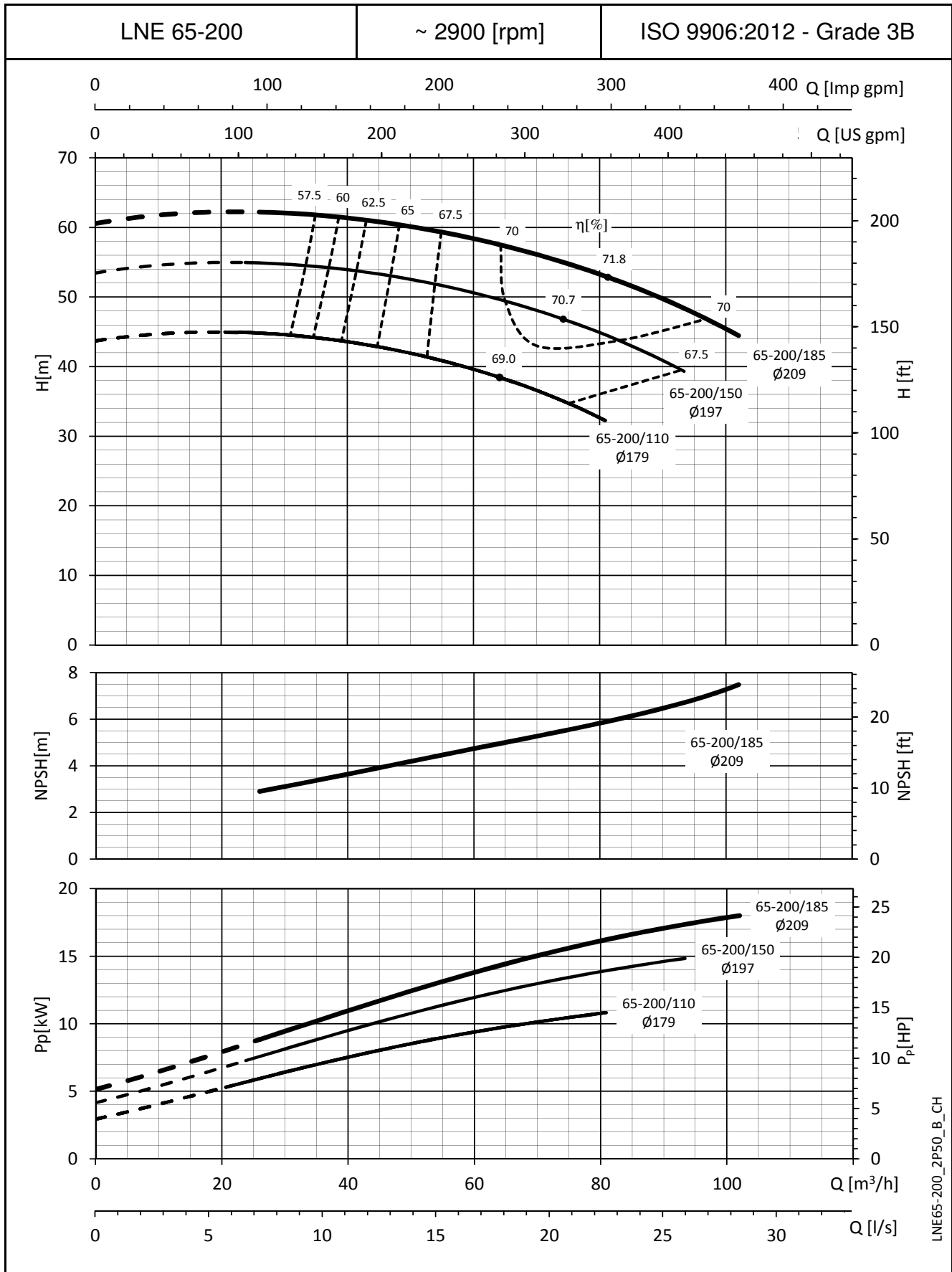
OPERATING CHARACTERISTICS AT 50 Hz, 2 POLES



The NPSH values are laboratory values; for practical use we suggest increasing these values by 0,5 m.
 These performances are valid for liquids with density $\rho = 1,0 \text{ Kg/dm}^3$ and kinematic viscosity $\nu = 1 \text{ mm}^2/\text{sec}$.

e-LNE SERIES

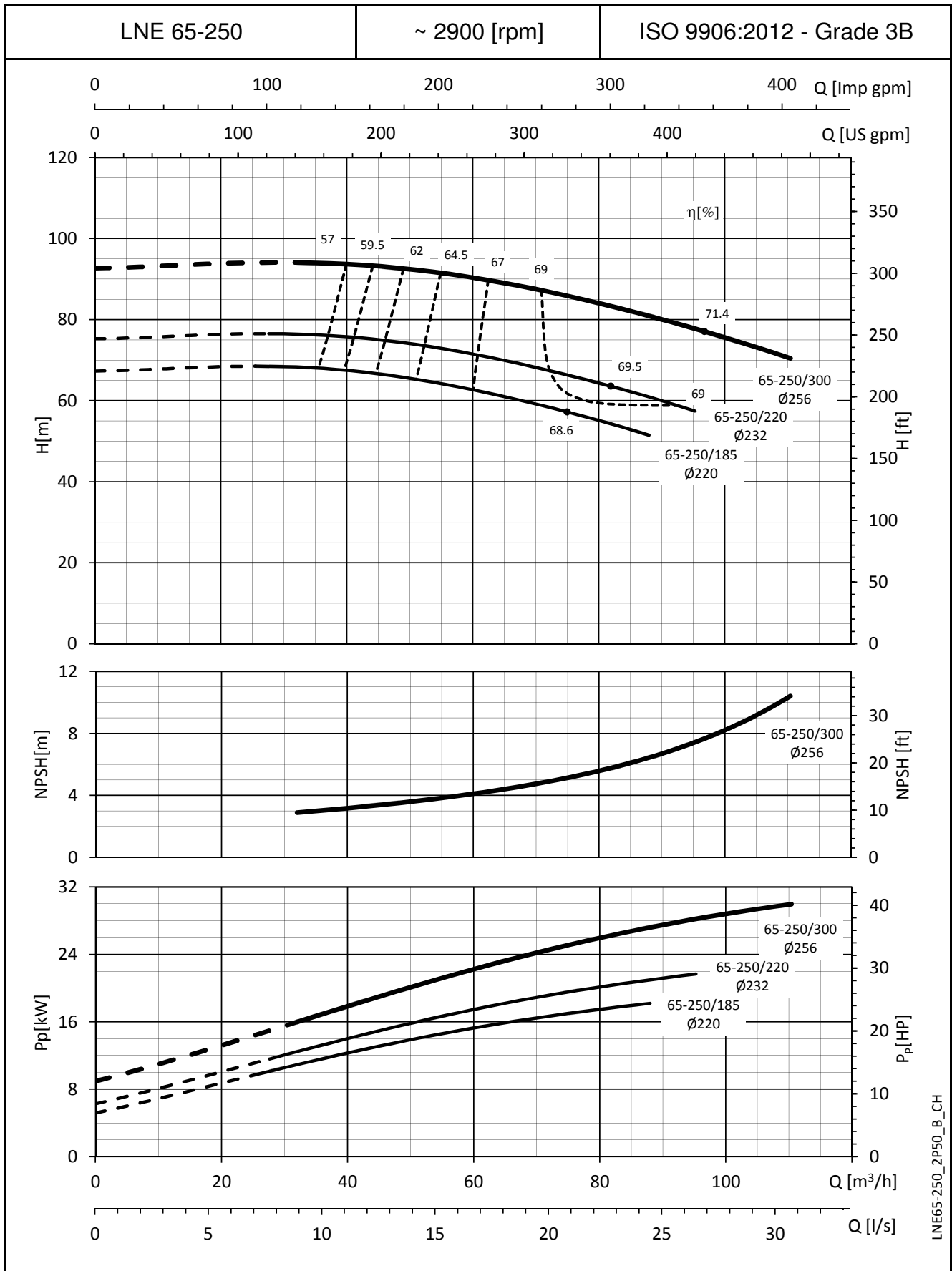
OPERATING CHARACTERISTICS AT 50 Hz, 2 POLES



The NPSH values are laboratory values; for practical use we suggest increasing these values by 0,5 m.
 These performances are valid for liquids with density $\rho = 1,0 \text{ Kg/dm}^3$ and kinematic viscosity $\nu = 1 \text{ mm}^2/\text{sec}$.

e-LNE SERIES

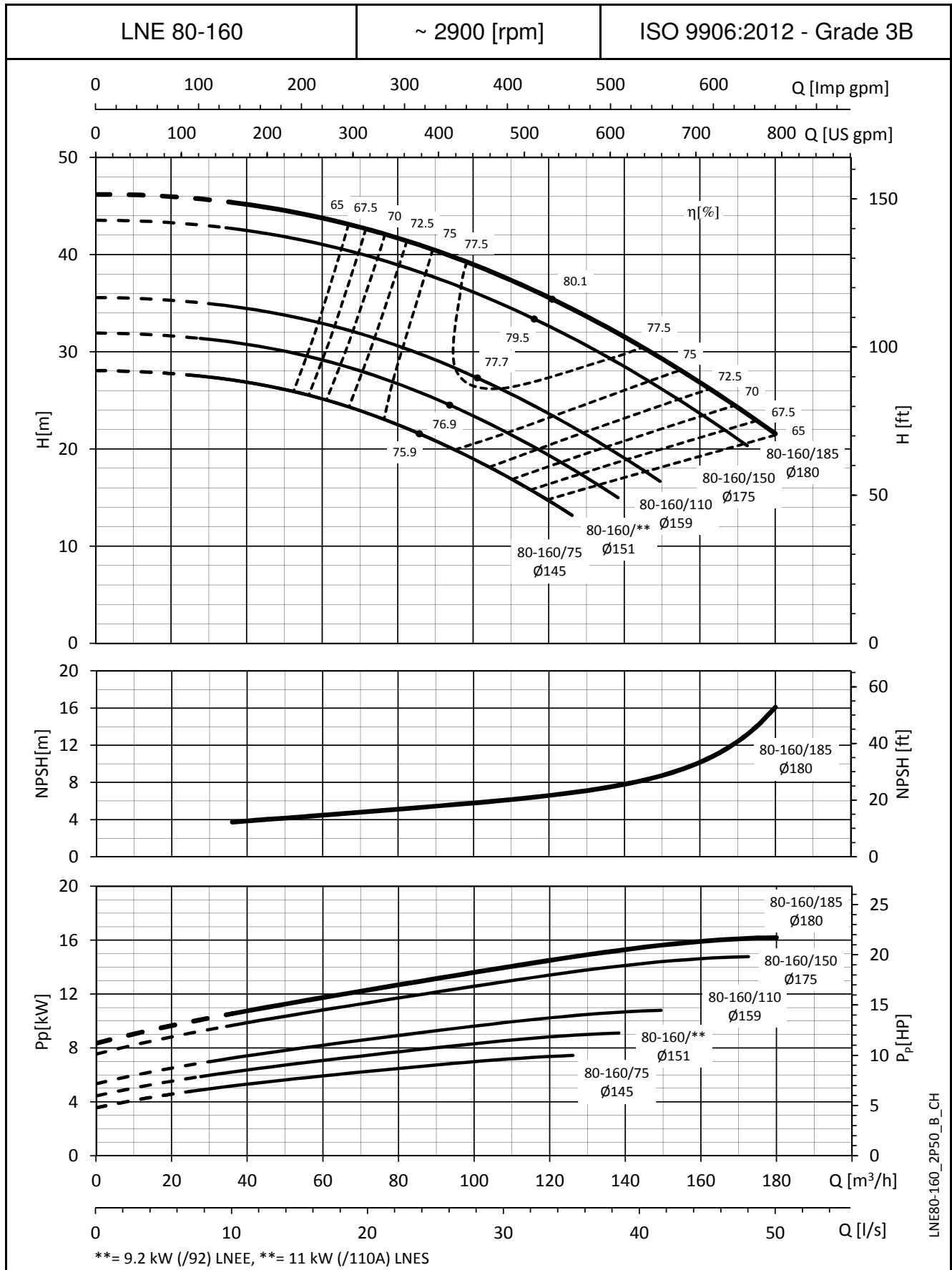
OPERATING CHARACTERISTICS AT 50 Hz, 2 POLES



The NPSH values are laboratory values; for practical use we suggest increasing these values by 0,5 m.
 These performances are valid for liquids with density $\rho = 1,0 \text{ Kg/dm}^3$ and kinematic viscosity $\nu = 1 \text{ mm}^2/\text{sec}$.

e-LNE SERIES

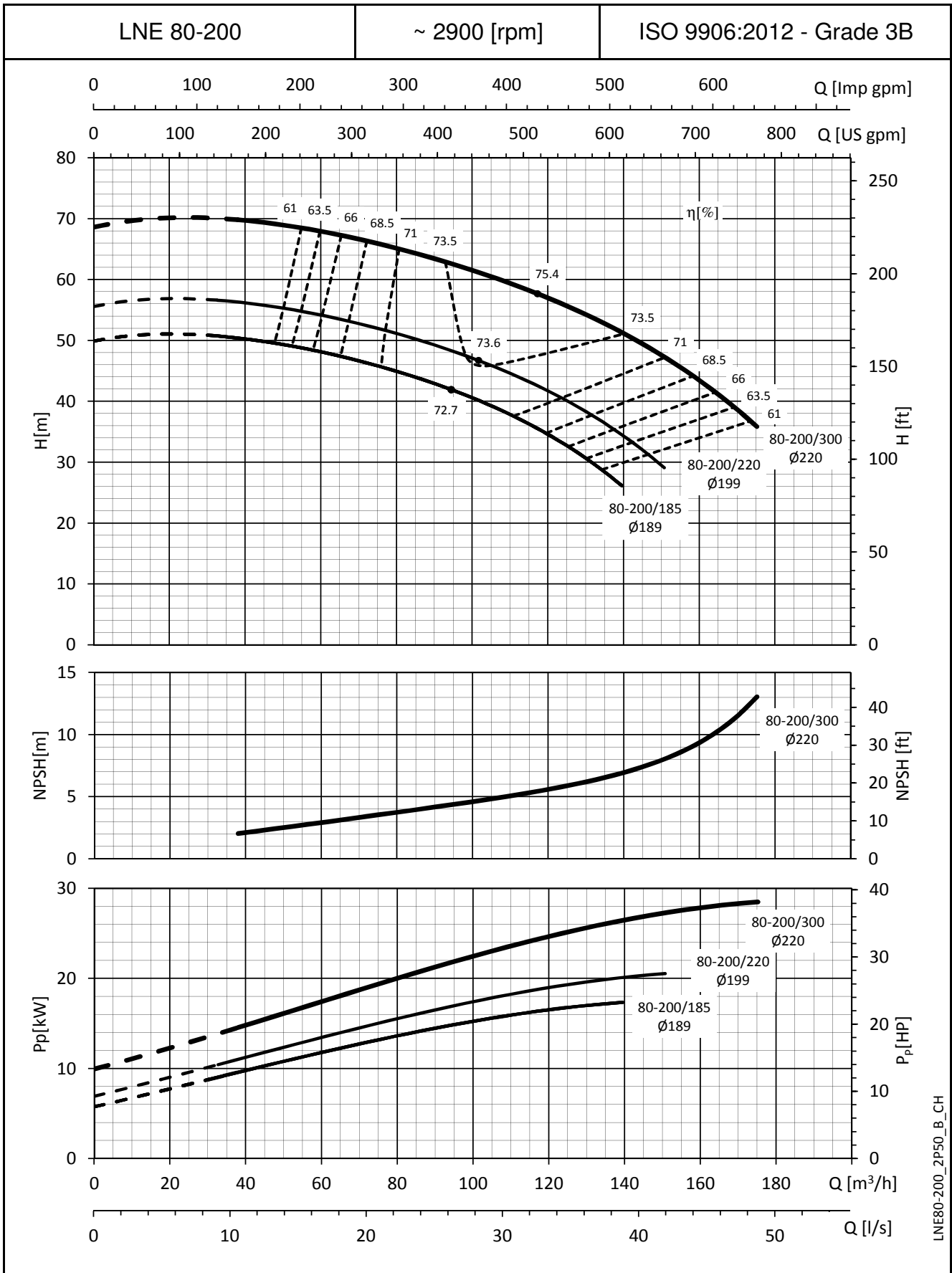
OPERATING CHARACTERISTICS AT 50 Hz, 2 POLES



The NPSH values are laboratory values; for practical use we suggest increasing these values by 0,5 m.
 These performances are valid for liquids with density $\rho = 1,0 \text{ Kg/dm}^3$ and kinematic viscosity $\nu = 1 \text{ mm}^2/\text{sec}$.

e-LNE SERIES

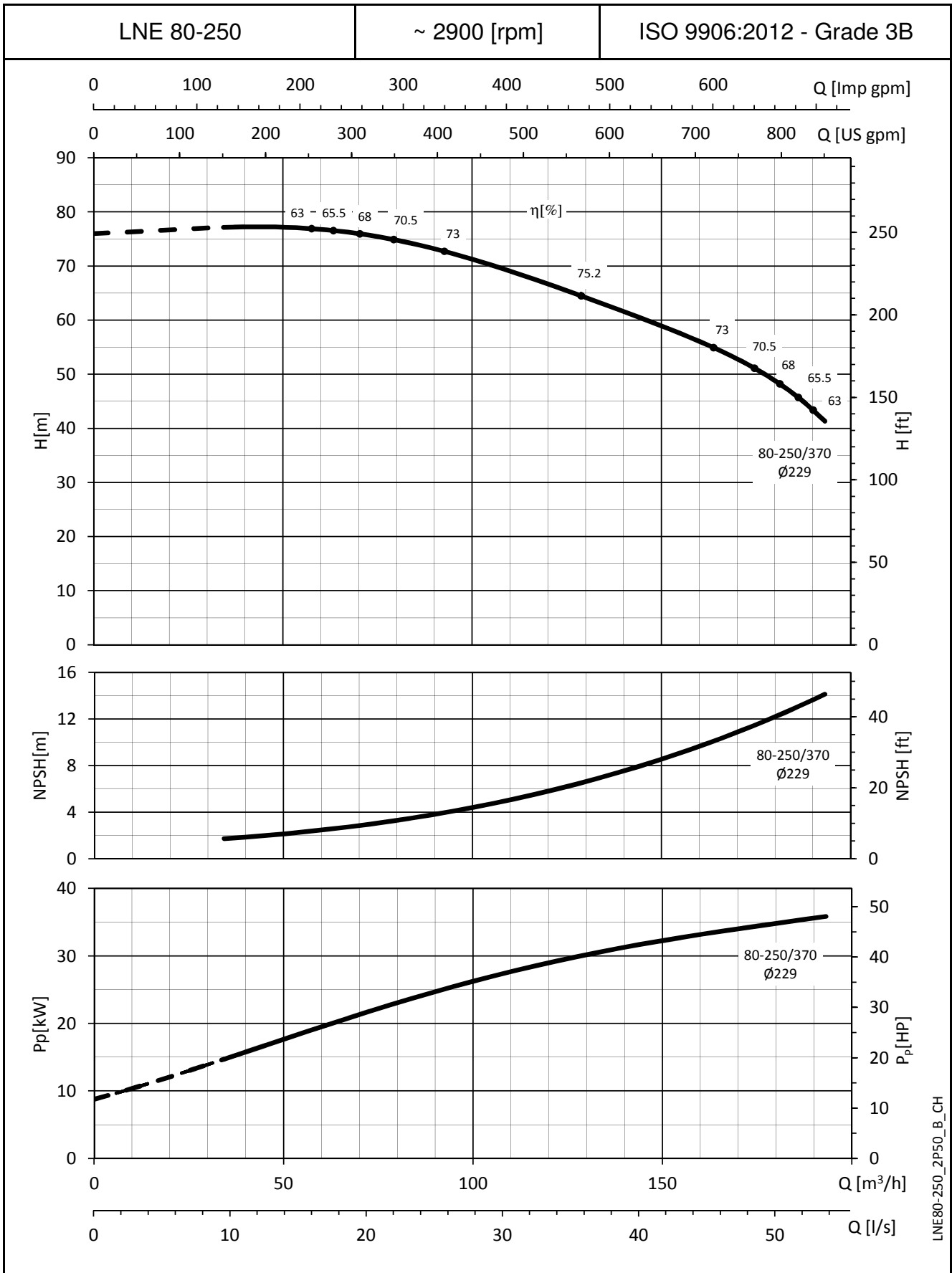
OPERATING CHARACTERISTICS AT 50 Hz, 2 POLES



LNE80-200_2P50_B_CH

The NPSH values are laboratory values; for practical use we suggest increasing these values by 0,5 m.
 These performances are valid for liquids with density $\rho = 1,0 \text{ Kg/dm}^3$ and kinematic viscosity $\nu = 1 \text{ mm}^2/\text{sec}$.

e-LNE SERIES
OPERATING CHARACTERISTICS AT 50 Hz, 2 POLES

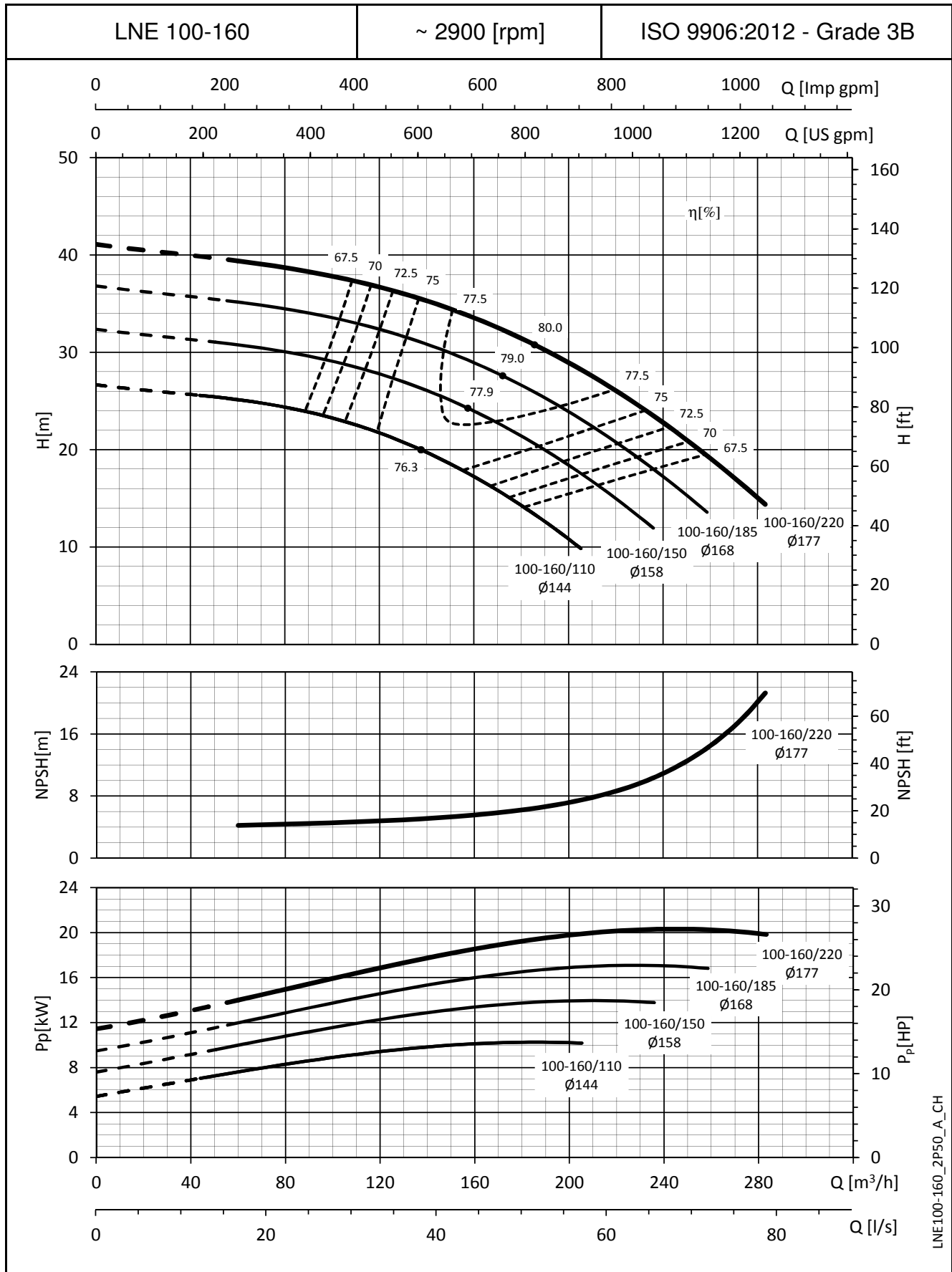


LNE80-250_2P50_B_CH

The NPSH values are laboratory values; for practical use we suggest increasing these values by 0,5 m.
 These performances are valid for liquids with density $\rho = 1,0 \text{ Kg/dm}^3$ and kinematic viscosity $\nu = 1 \text{ mm}^2/\text{sec}$.

e-LNE SERIES

OPERATING CHARACTERISTICS AT 50 Hz, 2 POLES

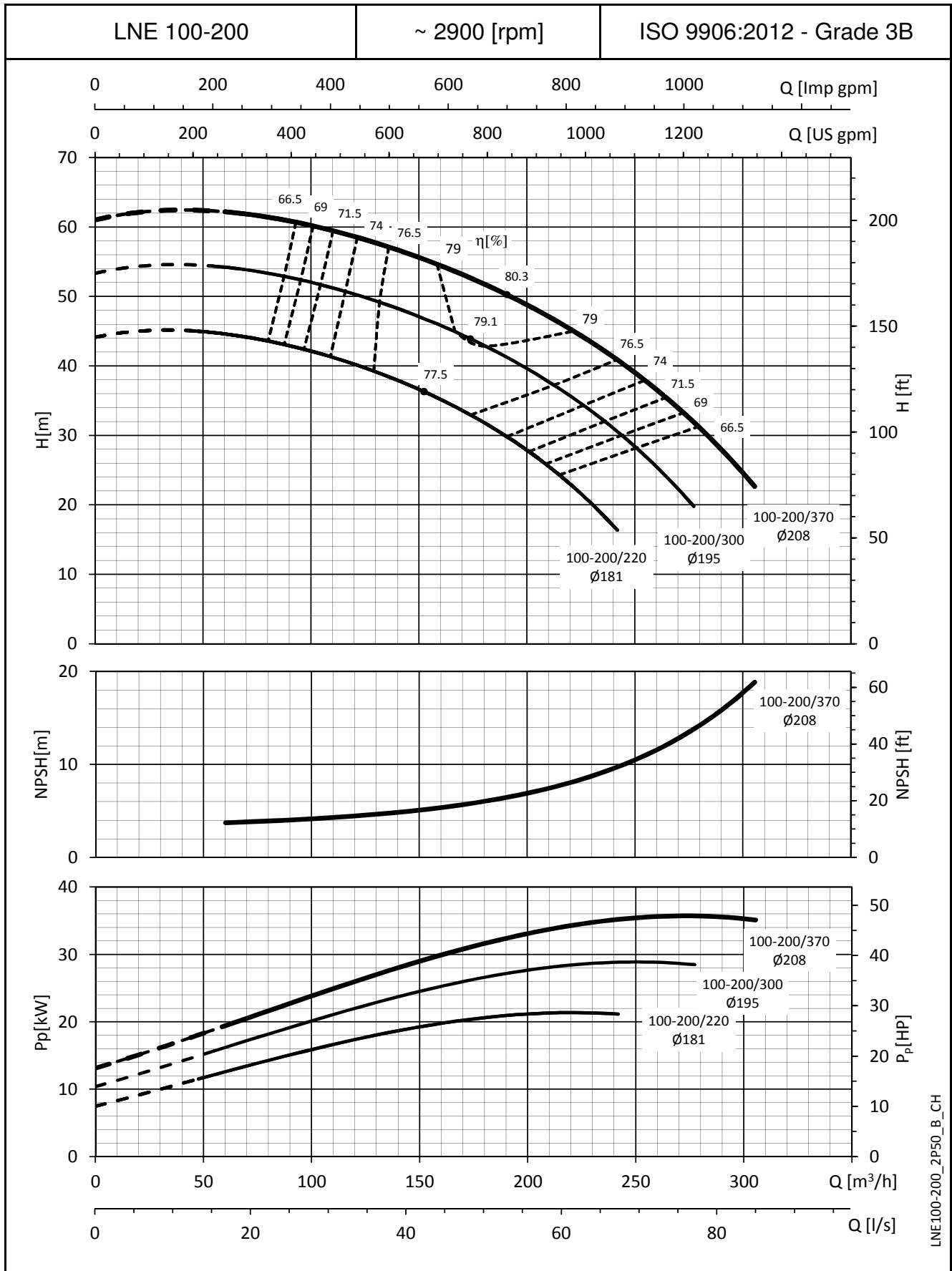


LNE100-160_2P50_A_CH

The NPSH values are laboratory values; for practical use we suggest increasing these values by 0,5 m.
 These performances are valid for liquids with density $\rho = 1,0 \text{ Kg/dm}^3$ and kinematic viscosity $\nu = 1 \text{ mm}^2/\text{sec}$.

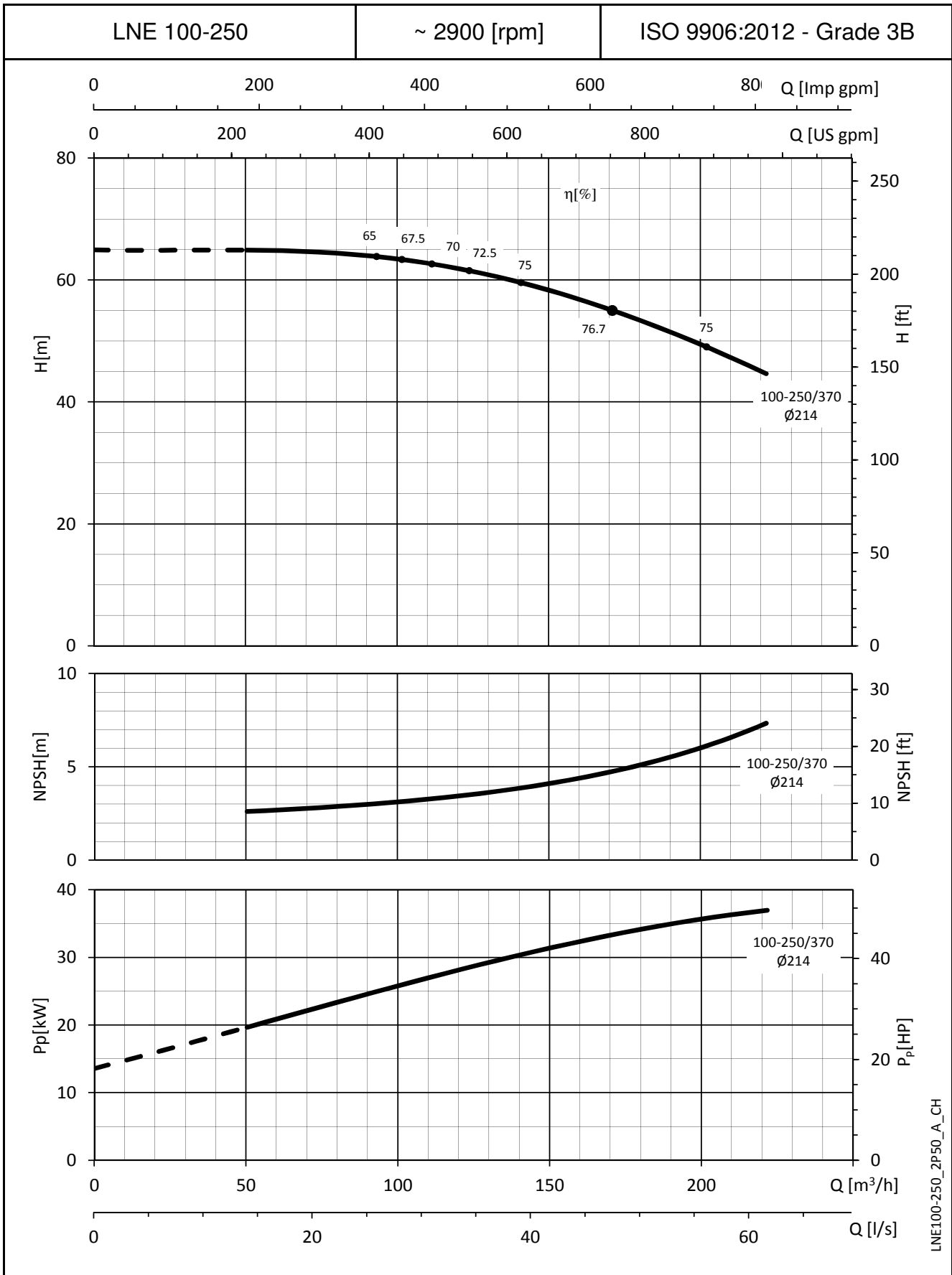
e-LNE SERIES

OPERATING CHARACTERISTICS AT 50 Hz, 2 POLES



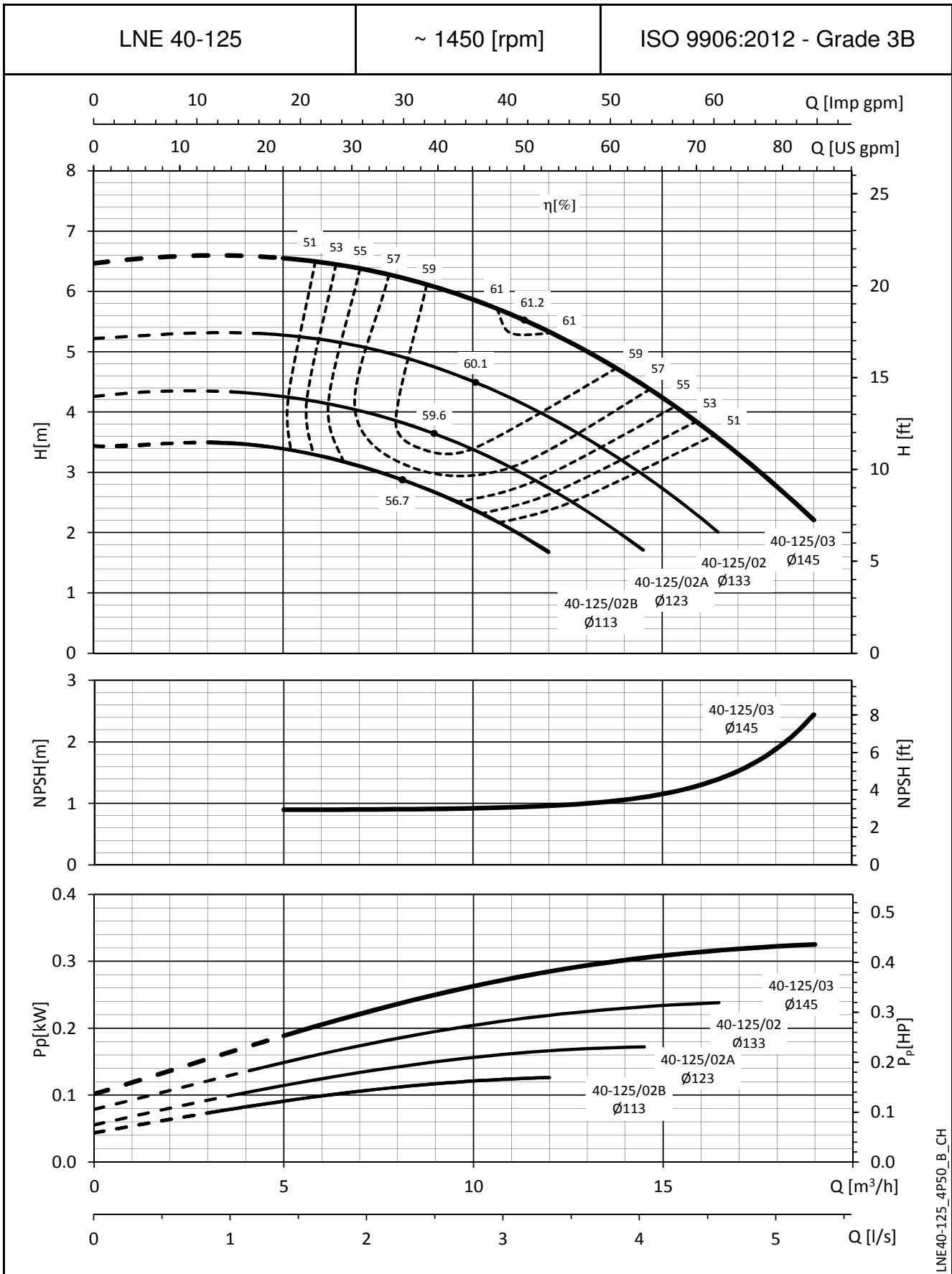
The NPSH values are laboratory values; for practical use we suggest increasing these values by 0,5 m.
 These performances are valid for liquids with density $\rho = 1,0 \text{ Kg/dm}^3$ and kinematic viscosity $\nu = 1 \text{ mm}^2/\text{sec}$.

e-LNE SERIES
OPERATING CHARACTERISTICS AT 50 Hz, 2 POLES



The NPSH values are laboratory values; for practical use we suggest increasing these values by 0,5 m.
 These performances are valid for liquids with density $\rho = 1,0 \text{ Kg/dm}^3$ and kinematic viscosity $\nu = 1 \text{ mm}^2/\text{sec}$.

e-LNE SERIES
OPERATING CHARACTERISTICS AT 50 Hz, 4 POLES

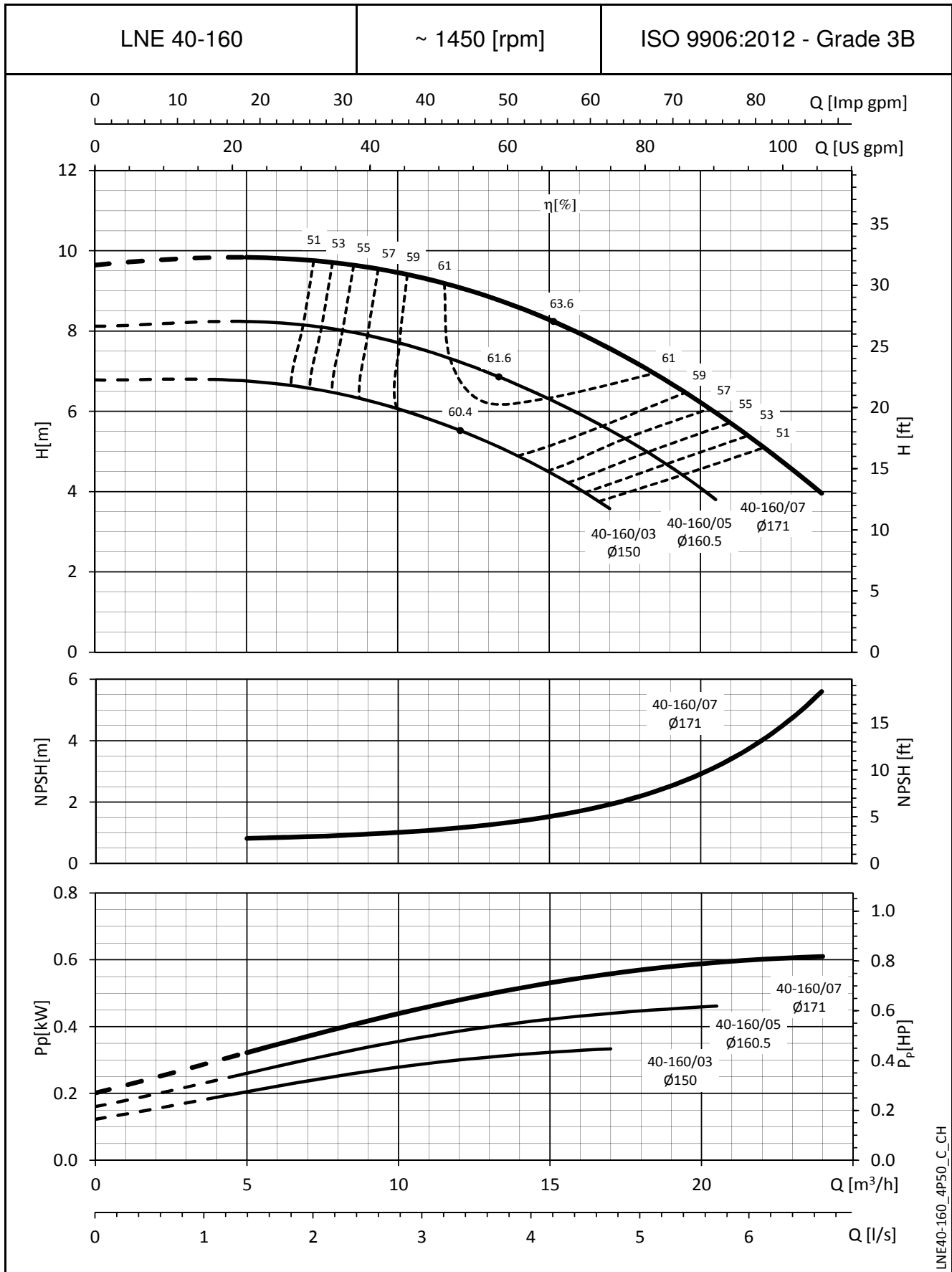


LNE40-125_4P50_B_CH

The NPSH values are laboratory values; for practical use we suggest increasing these values by 0,5 m.
 These performances are valid for liquids with density $\rho = 1,0 \text{ Kg/dm}^3$ and kinematic viscosity $\nu = 1 \text{ mm}^2/\text{sec}$.

e-LNE SERIES

OPERATING CHARACTERISTICS AT 50 Hz, 4 POLES

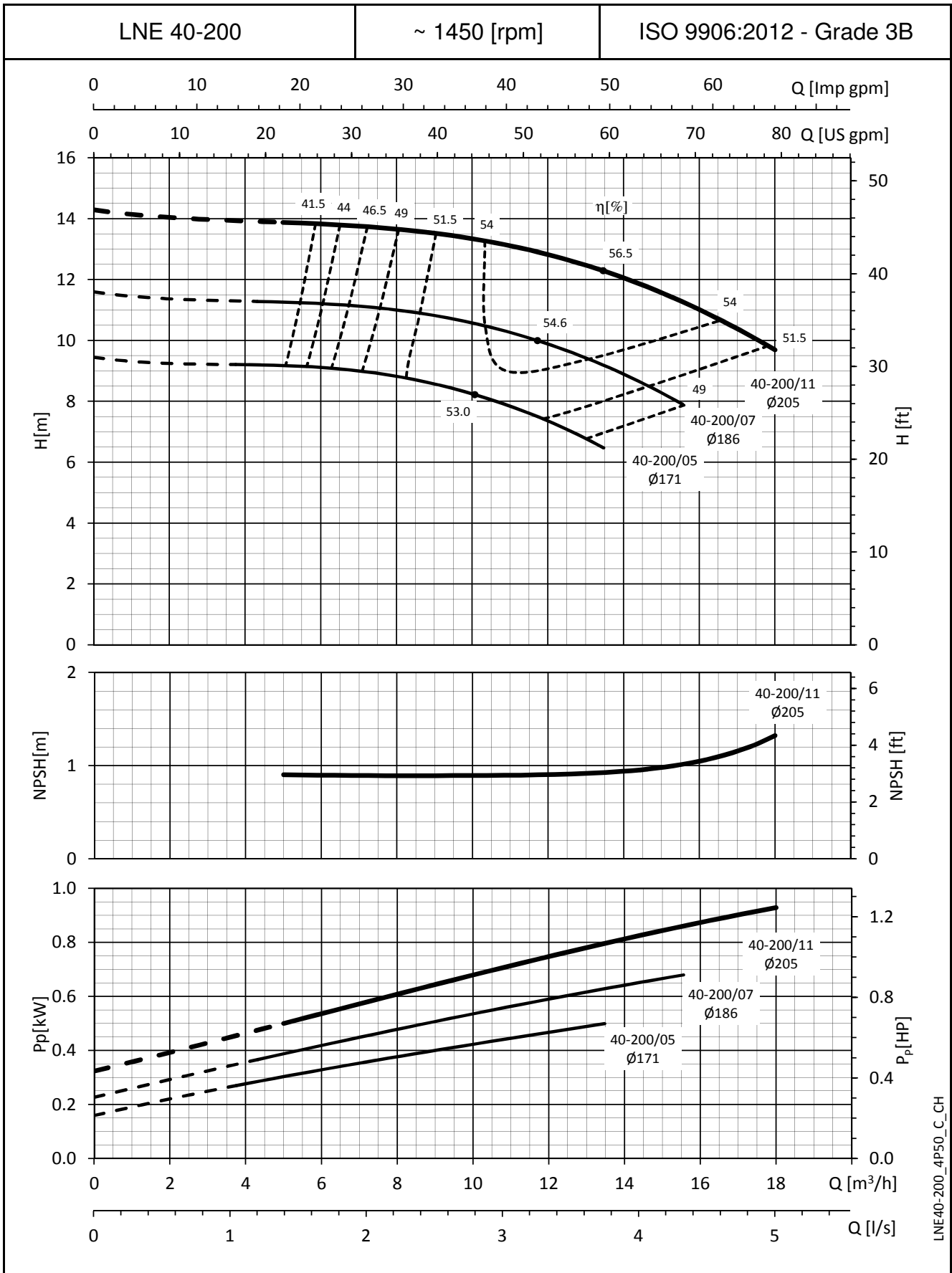


LNE40-160_4P50_C_CH

The NPSH values are laboratory values; for practical use we suggest increasing these values by 0,5 m.
 These performances are valid for liquids with density $\rho = 1,0 \text{ Kg/dm}^3$ and kinematic viscosity $\nu = 1 \text{ mm}^2/\text{sec}$.

e-LNE SERIES

OPERATING CHARACTERISTICS AT 50 Hz, 4 POLES

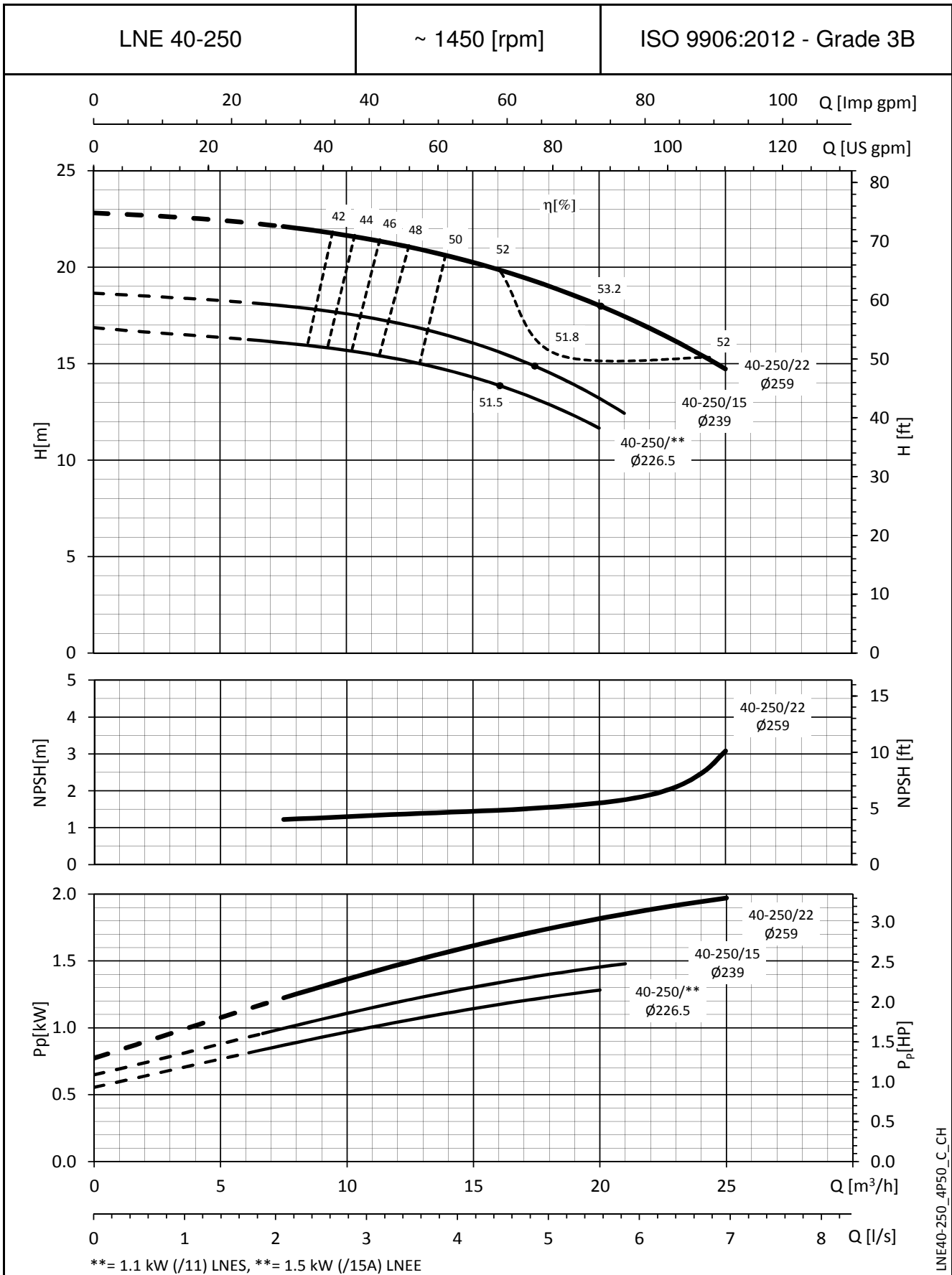


LNE40-200_4P50_C_CH

The NPSH values are laboratory values; for practical use we suggest increasing these values by 0,5 m.
 These performances are valid for liquids with density $\rho = 1,0 \text{ Kg/dm}^3$ and kinematic viscosity $\nu = 1 \text{ mm}^2/\text{sec}$.

e-LNE SERIES

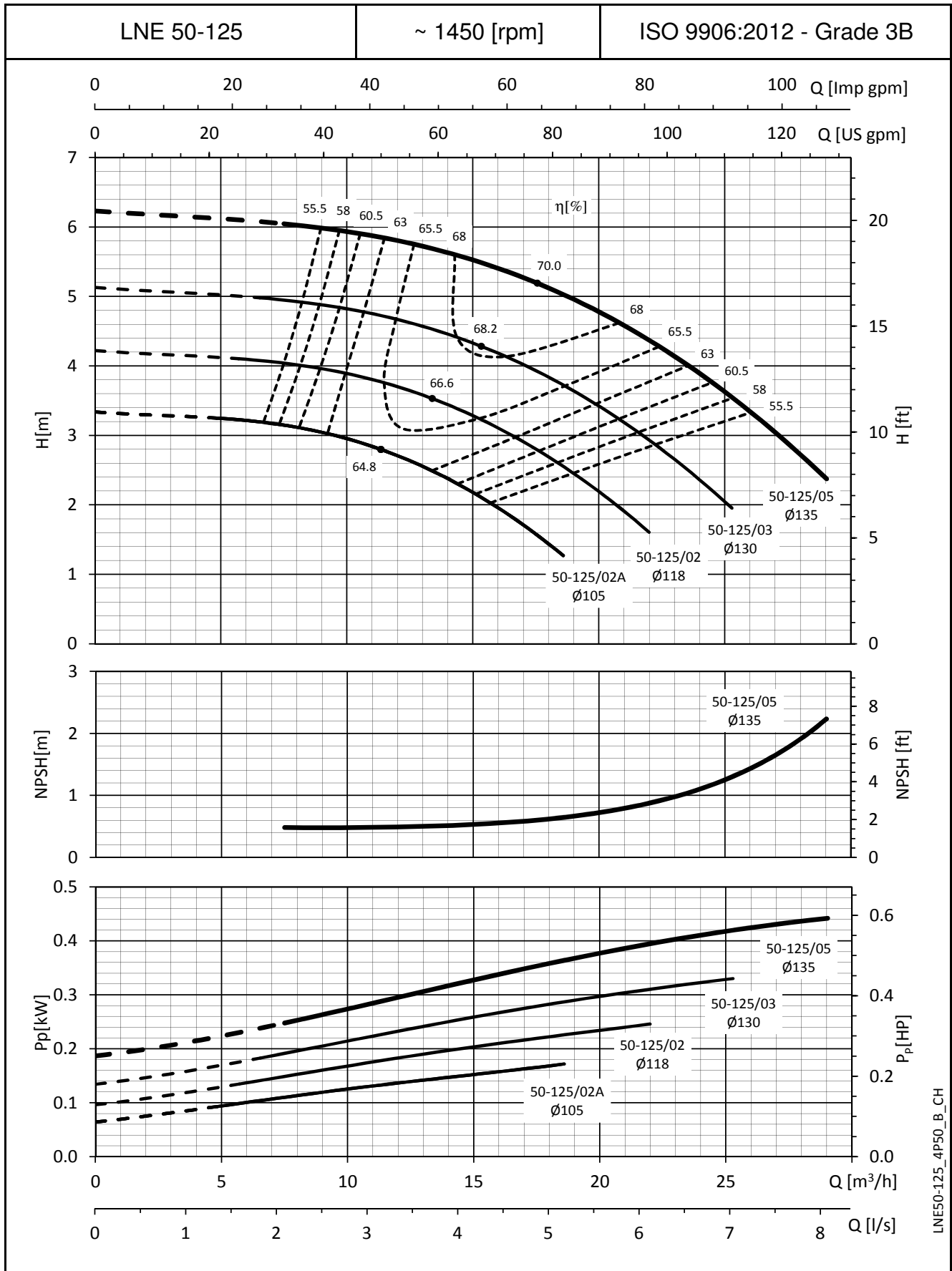
OPERATING CHARACTERISTICS AT 50 Hz, 4 POLES



LNE40-250_4P50_C_CH

The NPSH values are laboratory values; for practical use we suggest increasing these values by 0,5 m.
 These performances are valid for liquids with density $\rho = 1,0 \text{ Kg/dm}^3$ and kinematic viscosity $\nu = 1 \text{ mm}^2/\text{sec}$.

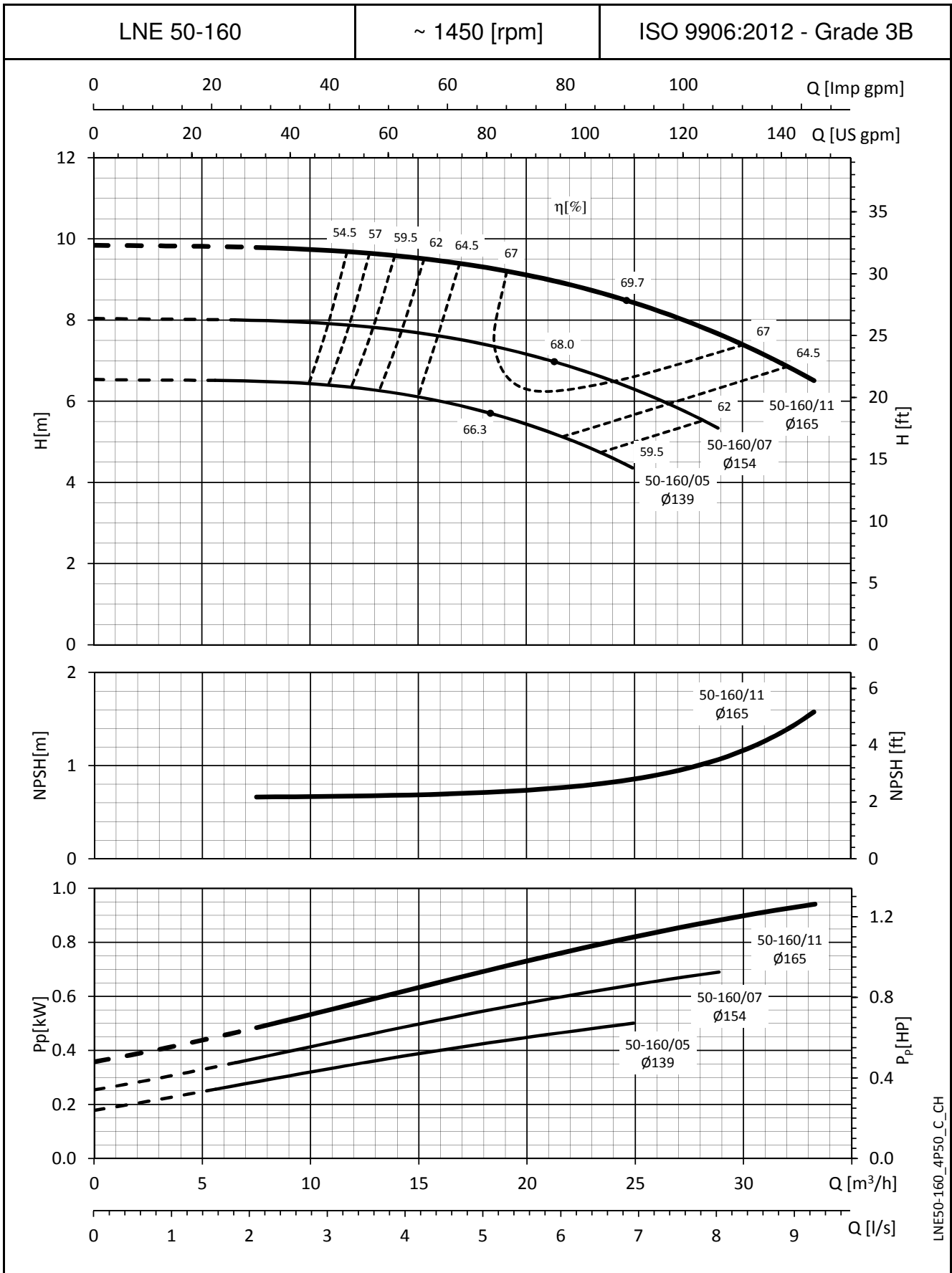
e-LNE SERIES
OPERATING CHARACTERISTICS AT 50 Hz, 4 POLES



The NPSH values are laboratory values; for practical use we suggest increasing these values by 0,5 m.
 These performances are valid for liquids with density $\rho = 1,0 \text{ Kg/dm}^3$ and kinematic viscosity $\nu = 1 \text{ mm}^2/\text{sec}$.

e-LNE SERIES

OPERATING CHARACTERISTICS AT 50 Hz, 4 POLES

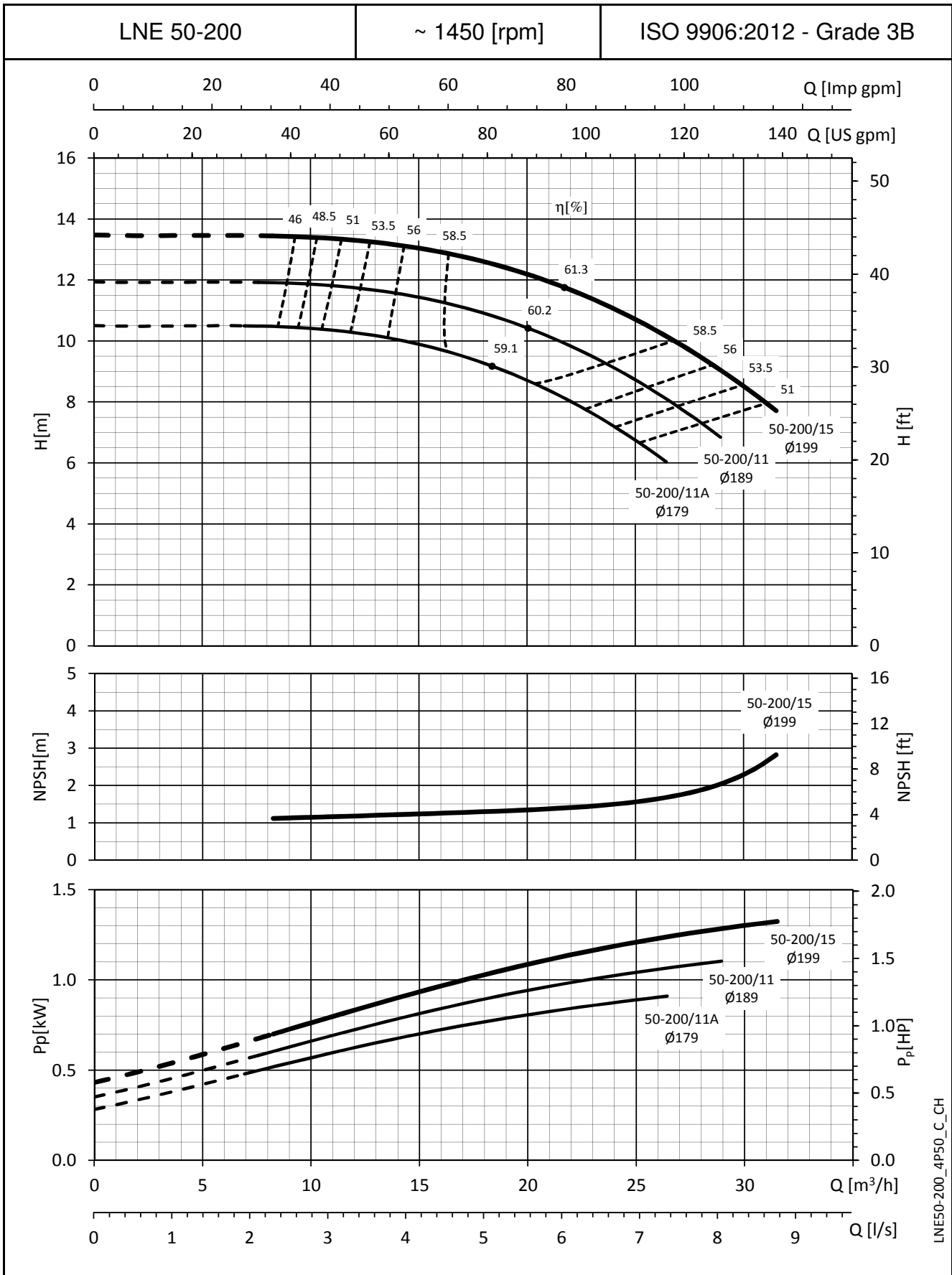


LNE50-160_4P50_C_CH

The NPSH values are laboratory values; for practical use we suggest increasing these values by 0,5 m.
 These performances are valid for liquids with density $\rho = 1,0 \text{ Kg/dm}^3$ and kinematic viscosity $\nu = 1 \text{ mm}^2/\text{sec}$.

e-LNE SERIES

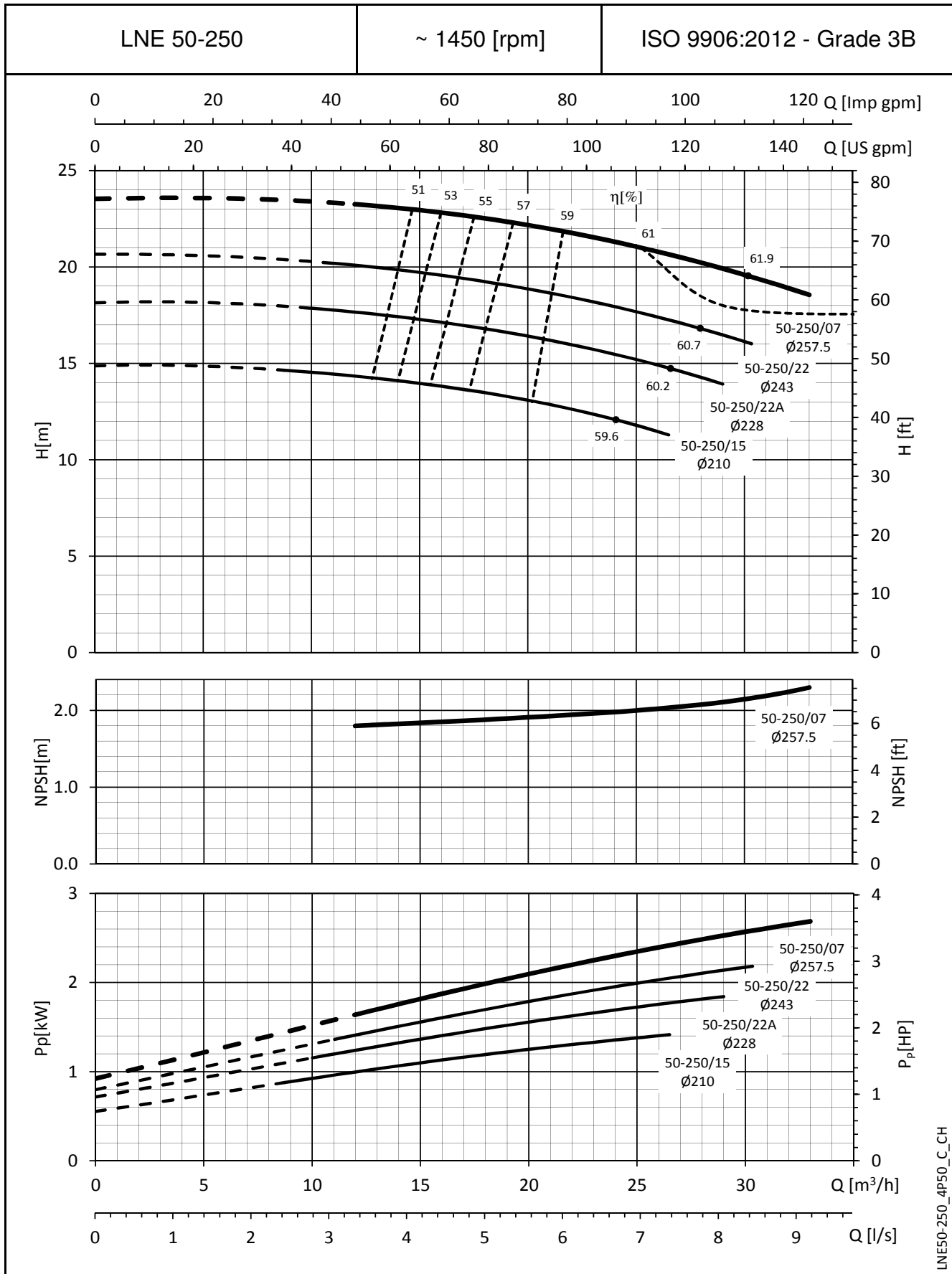
OPERATING CHARACTERISTICS AT 50 Hz, 4 POLES



LNE50-200_4P50_C_CH

The NPSH values are laboratory values; for practical use we suggest increasing these values by 0,5 m.
 These performances are valid for liquids with density $\rho = 1,0 \text{ Kg/dm}^3$ and kinematic viscosity $\nu = 1 \text{ mm}^2/\text{sec}$.

e-LNE SERIES
OPERATING CHARACTERISTICS AT 50 Hz, 4 POLES

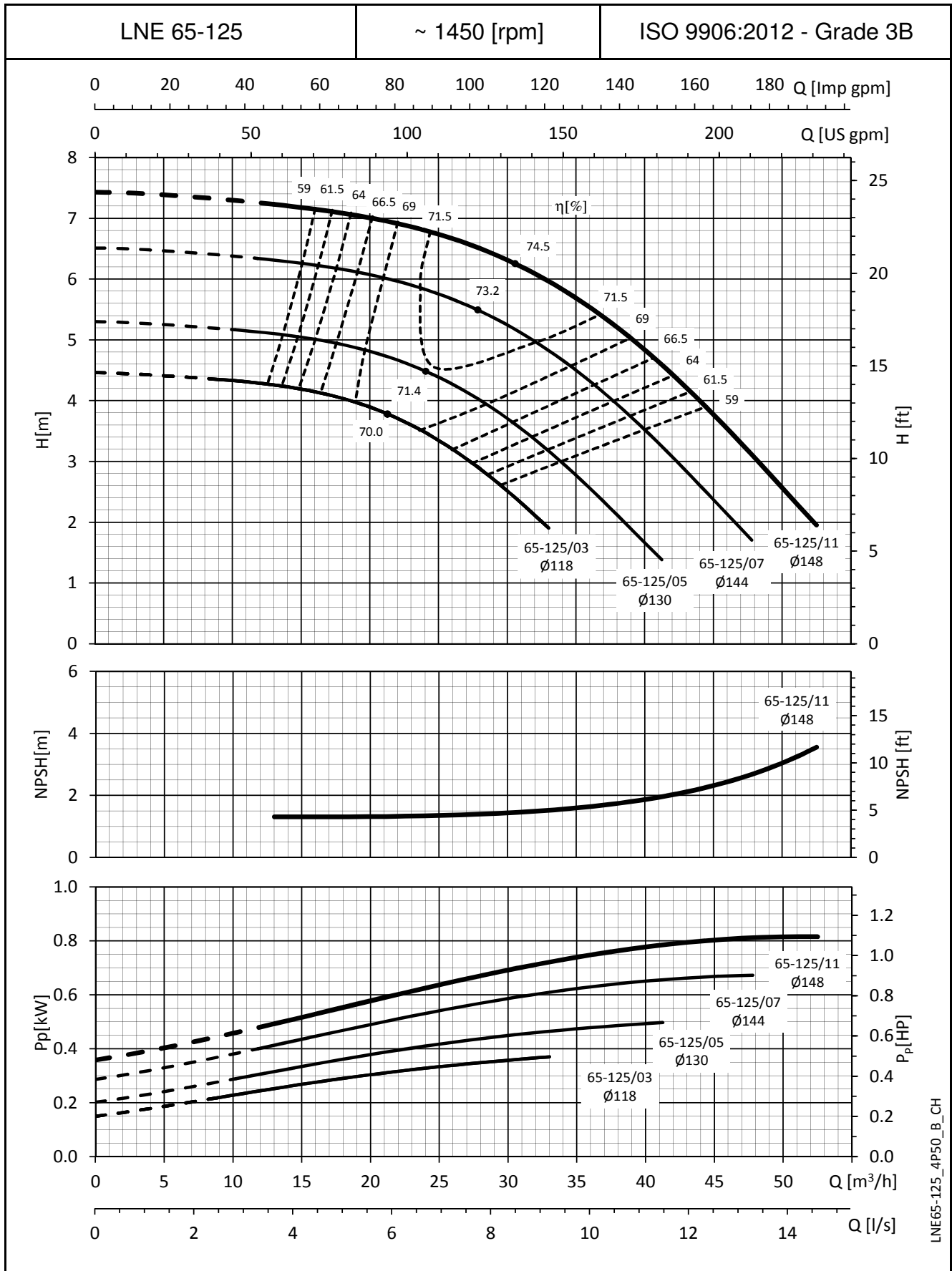


LNE50-250_4P50_C_CH

The NPSH values are laboratory values; for practical use we suggest increasing these values by 0,5 m.
 These performances are valid for liquids with density $\rho = 1,0 \text{ Kg/dm}^3$ and kinematic viscosity $\nu = 1 \text{ mm}^2/\text{sec}$.

e-LNE SERIES

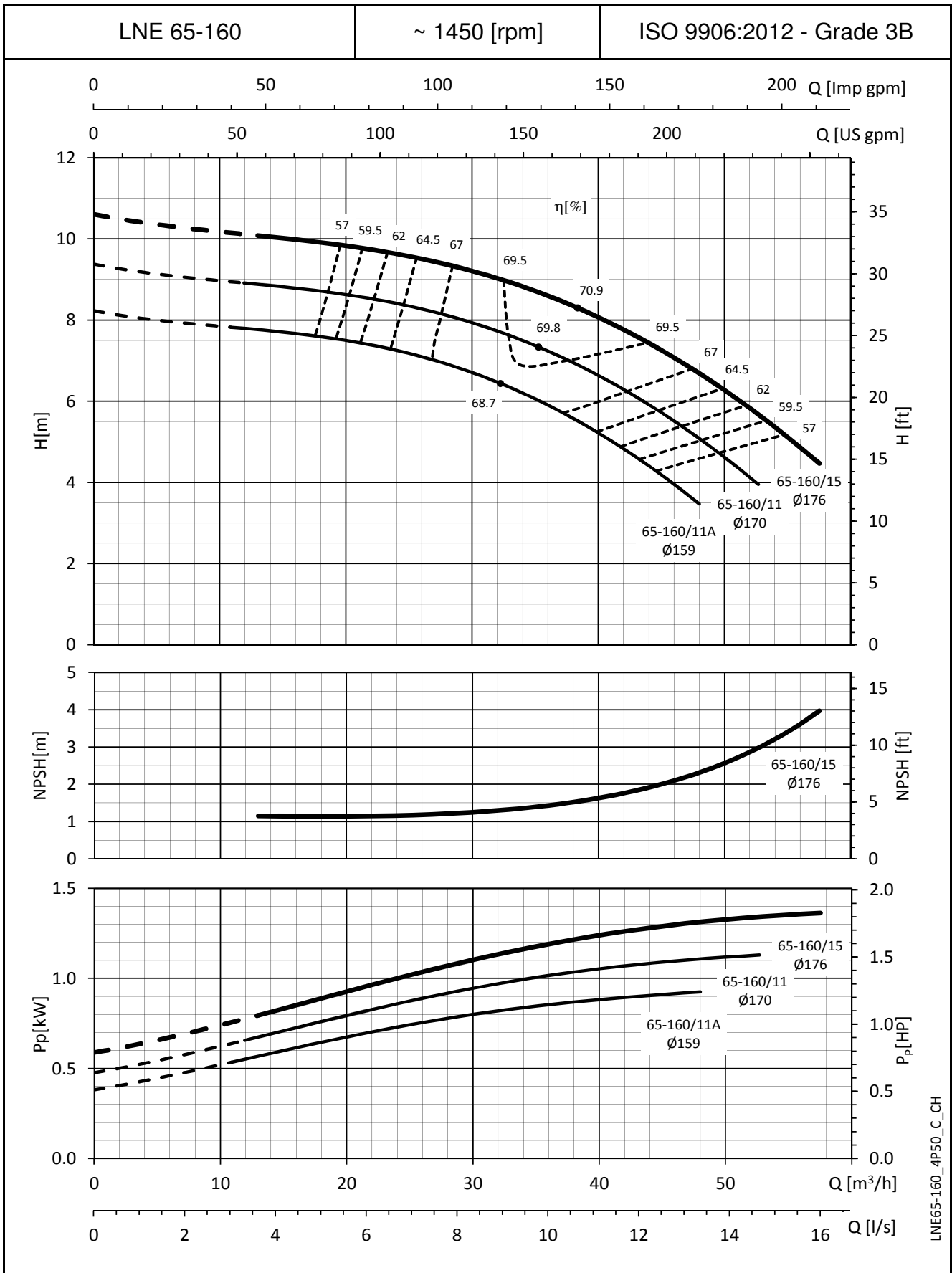
OPERATING CHARACTERISTICS AT 50 Hz, 4 POLES



The NPSH values are laboratory values; for practical use we suggest increasing these values by 0,5 m.
 These performances are valid for liquids with density $\rho = 1,0 \text{ Kg/dm}^3$ and kinematic viscosity $\nu = 1 \text{ mm}^2/\text{sec}$.

e-LNE SERIES

OPERATING CHARACTERISTICS AT 50 Hz, 4 POLES

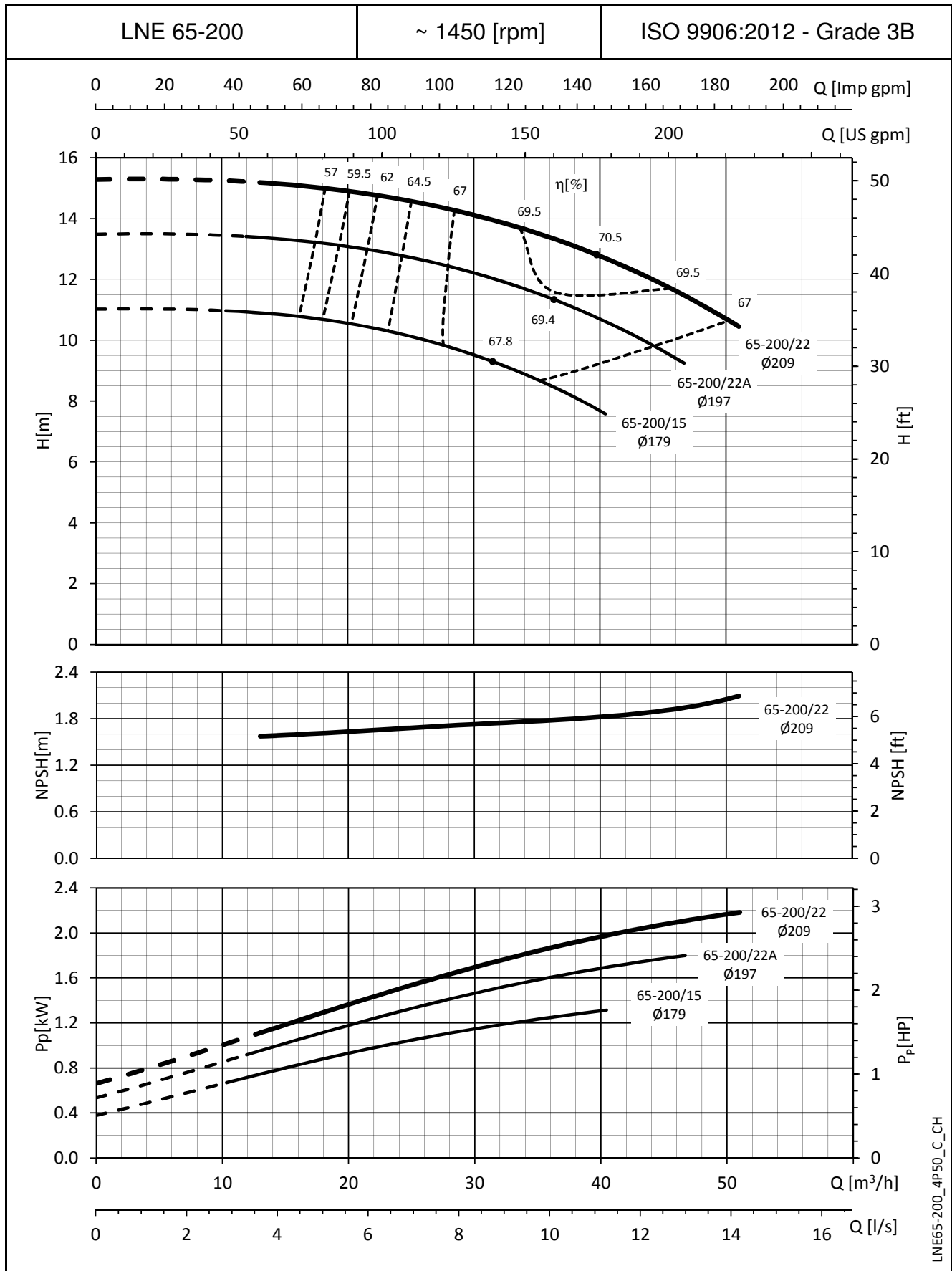


LNE65-160_4P50_C_CH

The NPSH values are laboratory values; for practical use we suggest increasing these values by 0,5 m.
 These performances are valid for liquids with density $\rho = 1,0 \text{ Kg/dm}^3$ and kinematic viscosity $\nu = 1 \text{ mm}^2/\text{sec}$.

e-LNE SERIES

OPERATING CHARACTERISTICS AT 50 Hz, 4 POLES

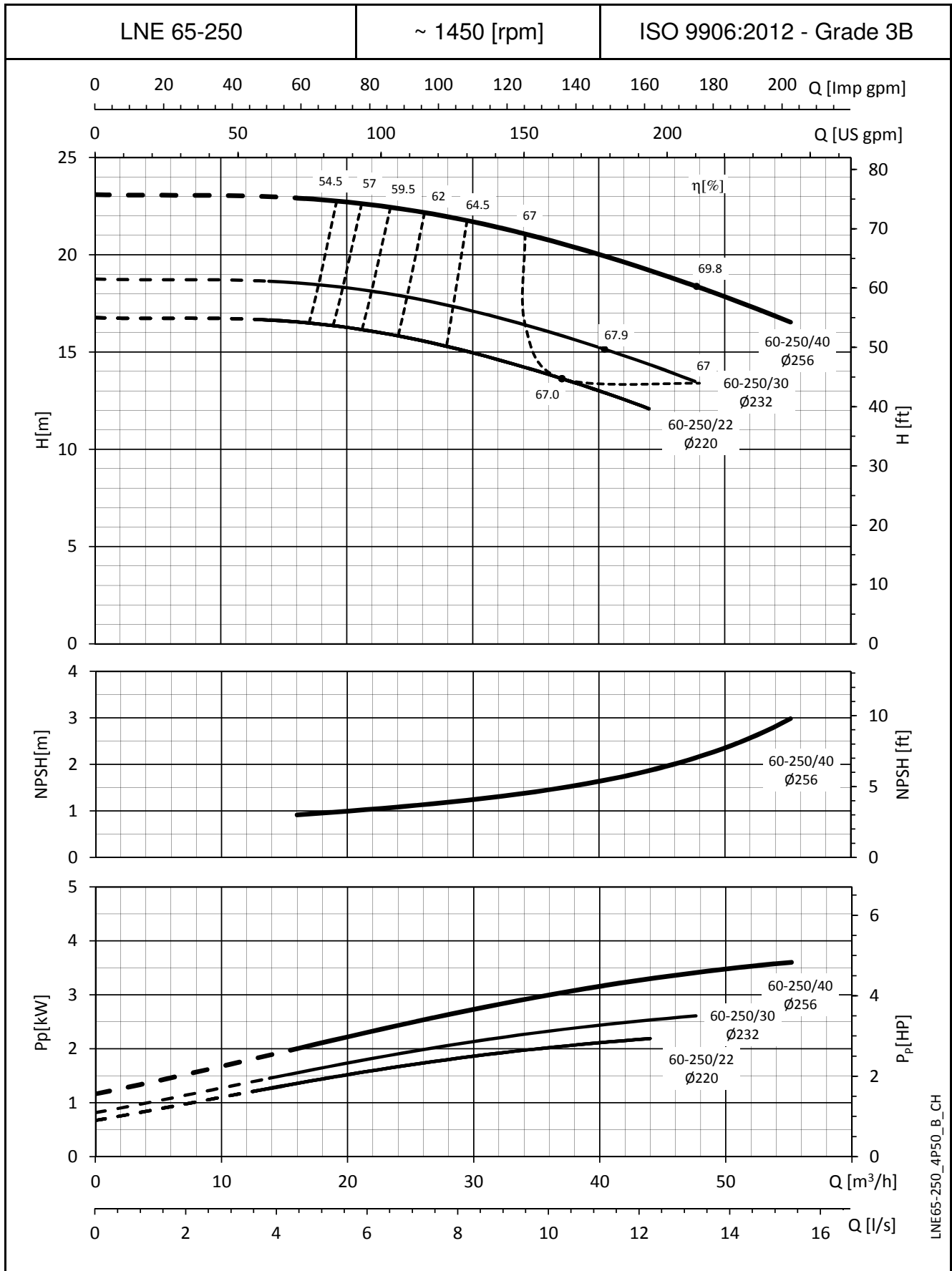


LNE65-200_4P50_C_CH

The NPSH values are laboratory values; for practical use we suggest increasing these values by 0,5 m.
 These performances are valid for liquids with density $\rho = 1,0 \text{ Kg/dm}^3$ and kinematic viscosity $\nu = 1 \text{ mm}^2/\text{sec}$.

e-LNE SERIES

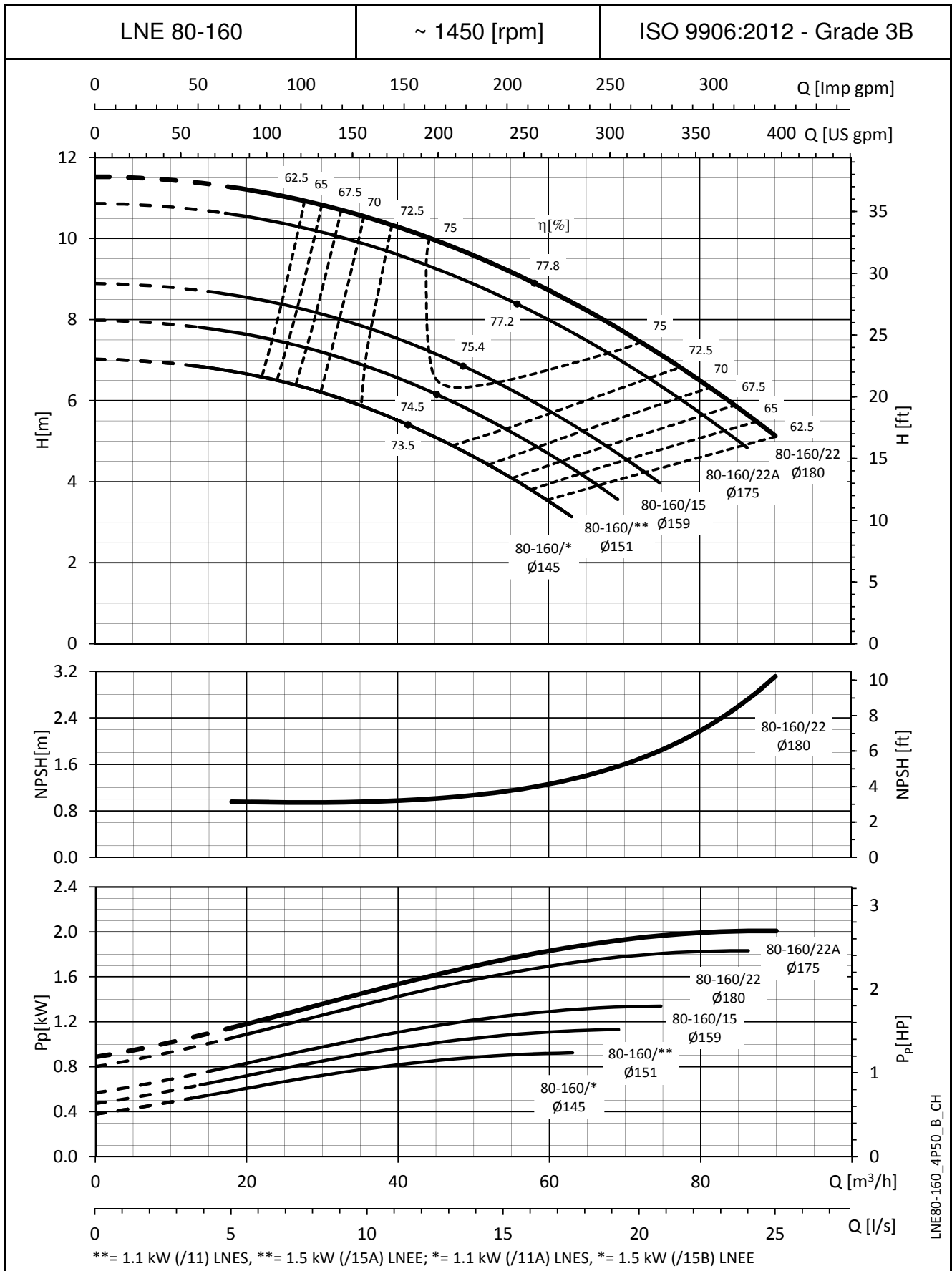
OPERATING CHARACTERISTICS AT 50 Hz, 4 POLES



The NPSH values are laboratory values; for practical use we suggest increasing these values by 0,5 m.
 These performances are valid for liquids with density $\rho = 1,0 \text{ Kg/dm}^3$ and kinematic viscosity $\nu = 1 \text{ mm}^2/\text{sec}$.

e-LNE SERIES

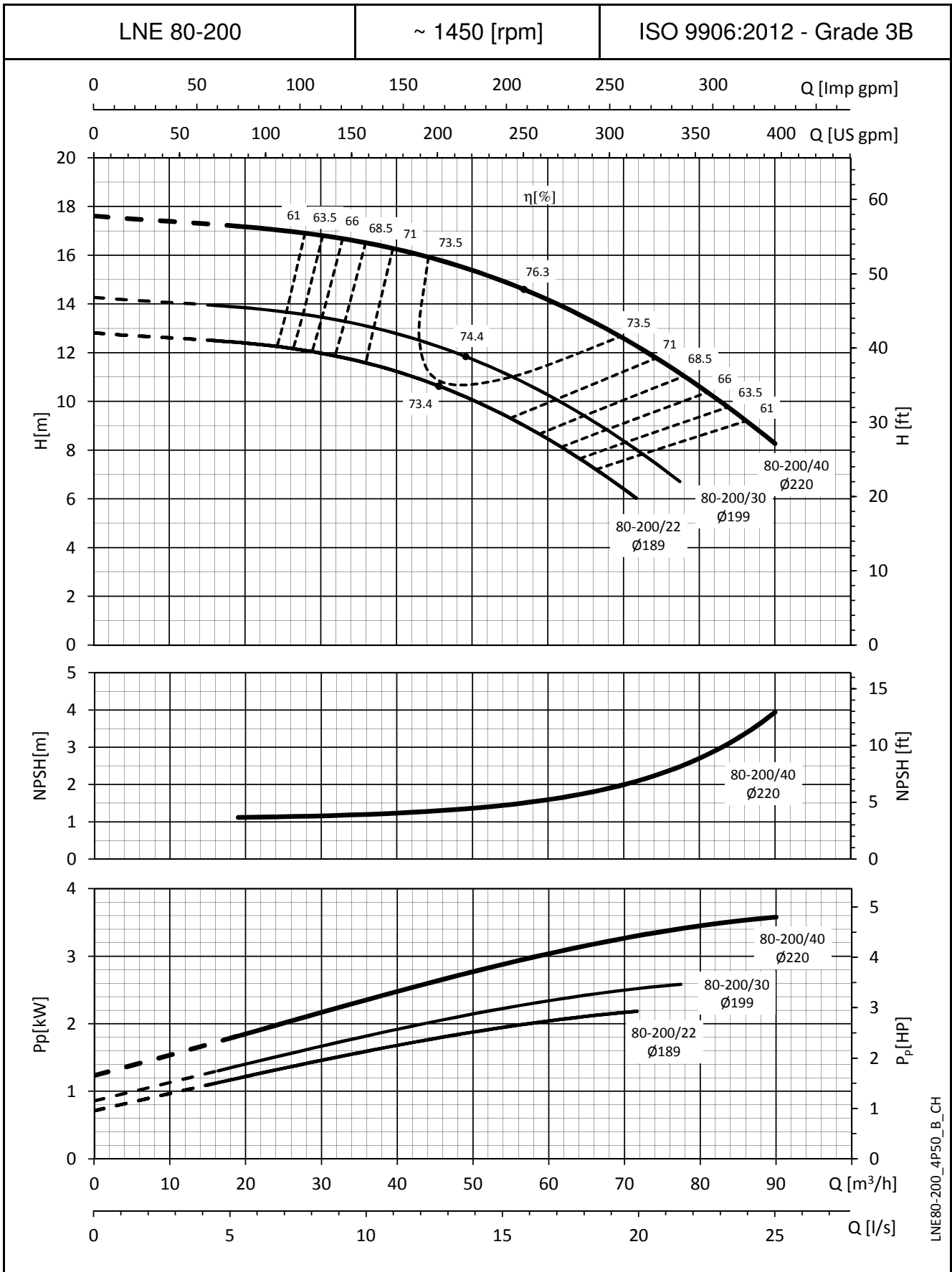
OPERATING CHARACTERISTICS AT 50 Hz, 4 POLES



LNE80-160_4P50_B_CH

The NPSH values are laboratory values; for practical use we suggest increasing these values by 0,5 m.
 These performances are valid for liquids with density $\rho = 1,0 \text{ Kg/dm}^3$ and kinematic viscosity $\nu = 1 \text{ mm}^2/\text{sec}$.

e-LNE SERIES
OPERATING CHARACTERISTICS AT 50 Hz, 4 POLES

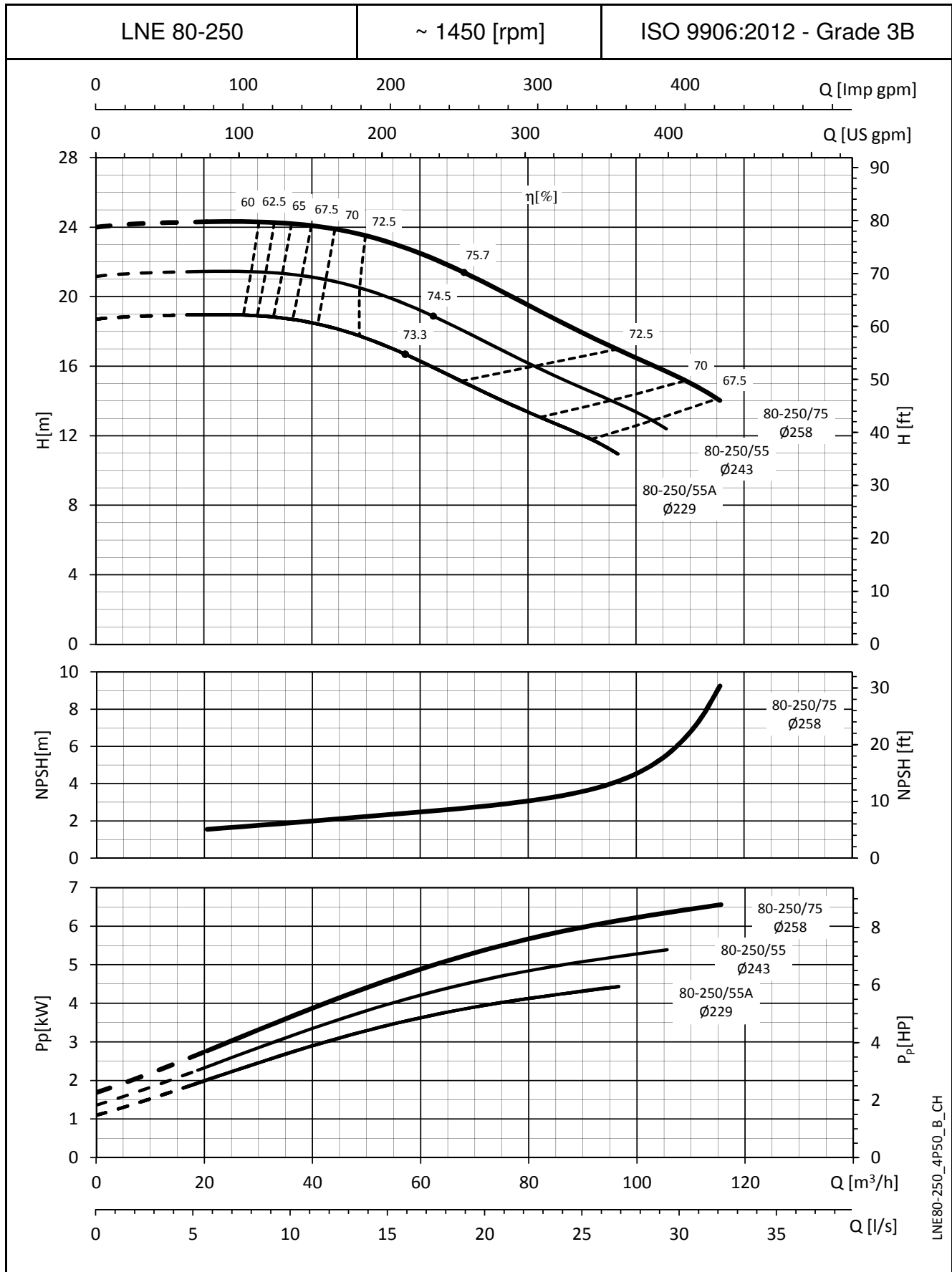


LNE80-200_4P50_B_CH

The NPSH values are laboratory values; for practical use we suggest increasing these values by 0,5 m.
 These performances are valid for liquids with density $\rho = 1,0 \text{ Kg/dm}^3$ and kinematic viscosity $\nu = 1 \text{ mm}^2/\text{sec}$.

e-LNE SERIES

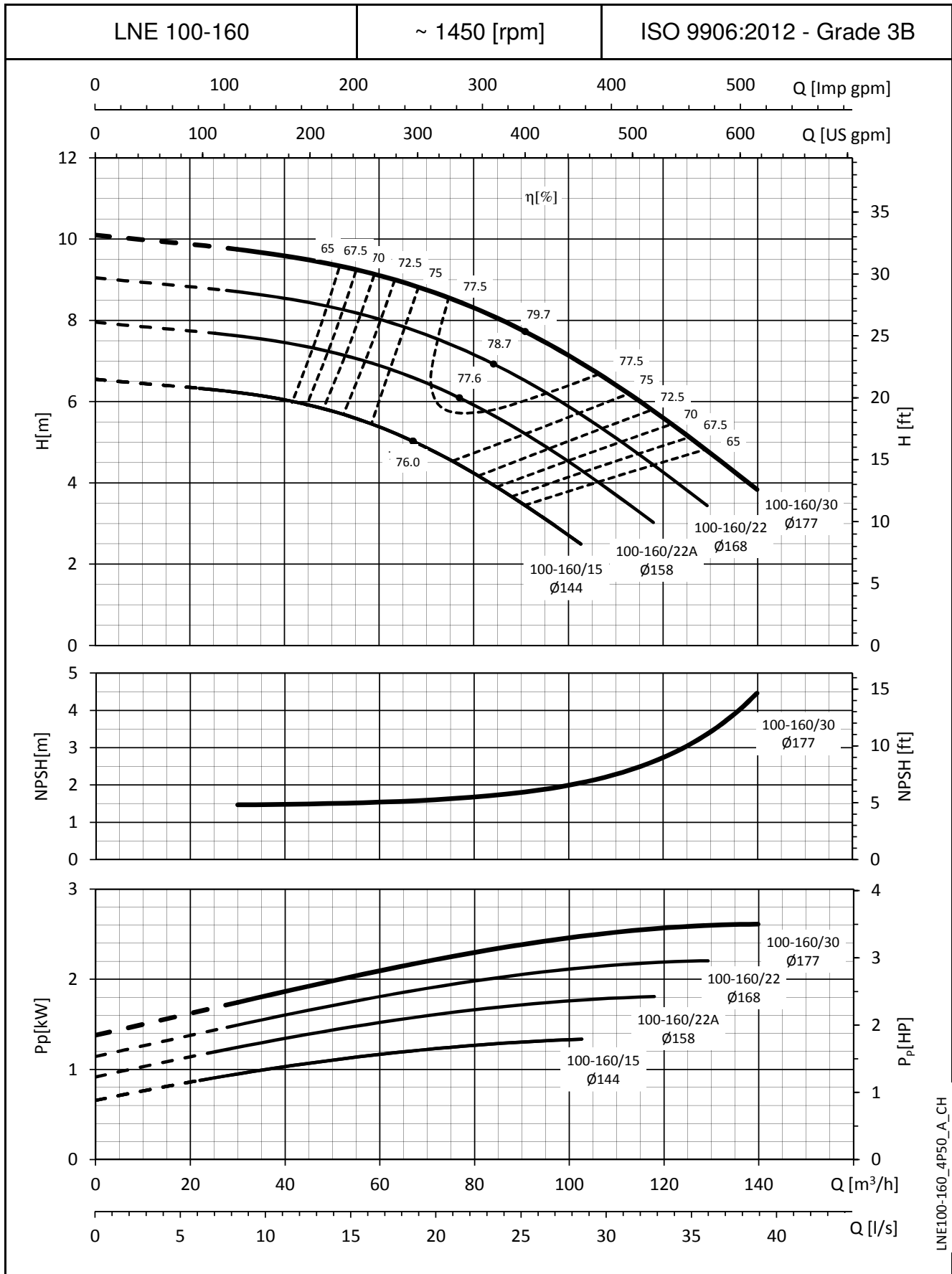
OPERATING CHARACTERISTICS AT 50 Hz, 4 POLES



The NPSH values are laboratory values; for practical use we suggest increasing these values by 0,5 m.
 These performances are valid for liquids with density $\rho = 1,0 \text{ Kg/dm}^3$ and kinematic viscosity $\nu = 1 \text{ mm}^2/\text{sec}$.

e-LNE SERIES

OPERATING CHARACTERISTICS AT 50 Hz, 4 POLES

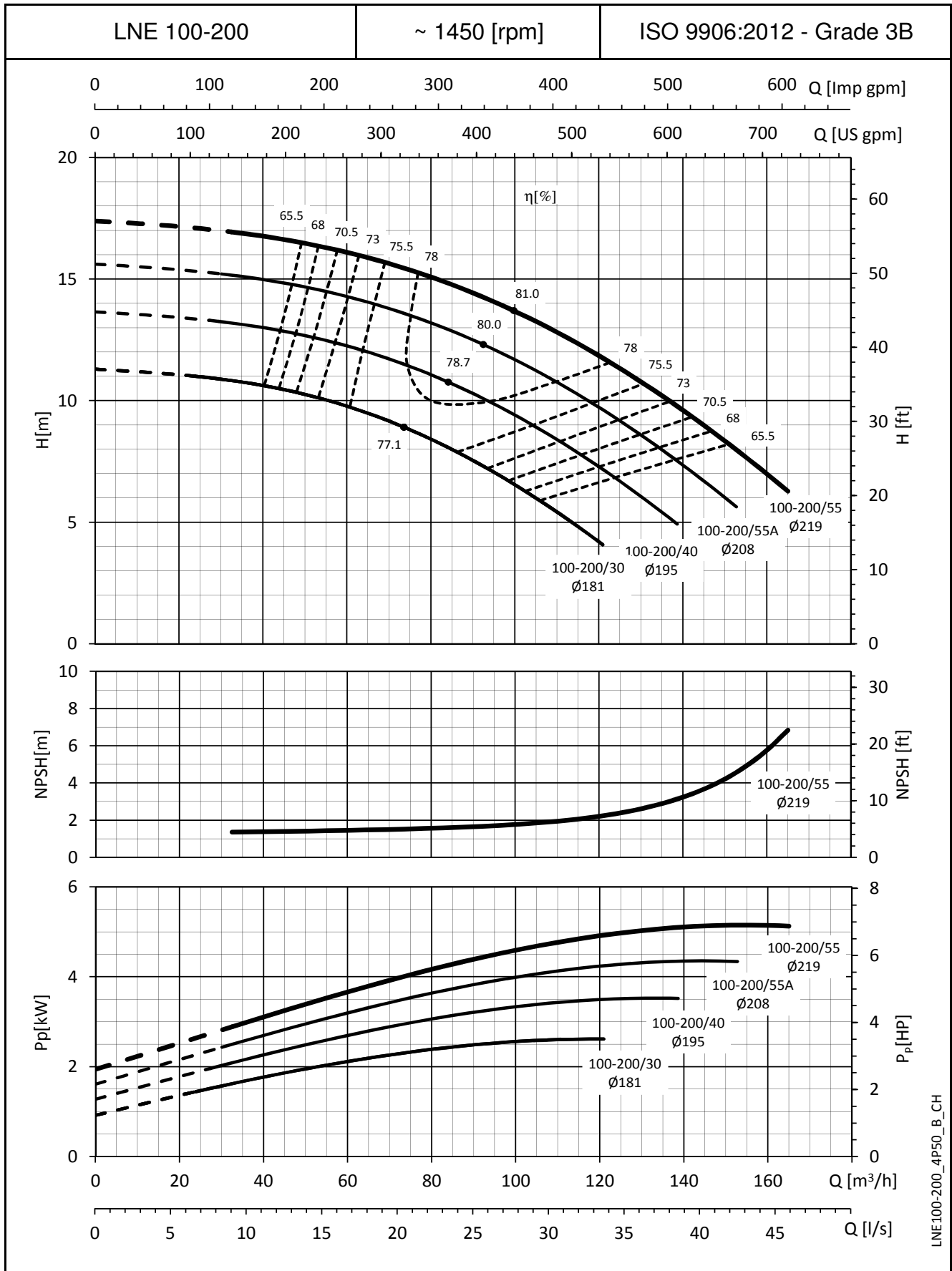


The NPSH values are laboratory values; for practical use we suggest increasing these values by 0,5 m.
 These performances are valid for liquids with density $\rho = 1,0 \text{ Kg/dm}^3$ and kinematic viscosity $\nu = 1 \text{ mm}^2/\text{sec}$.

LNE100-160_4P50_A_CH

e-LNE SERIES

OPERATING CHARACTERISTICS AT 50 Hz, 4 POLES

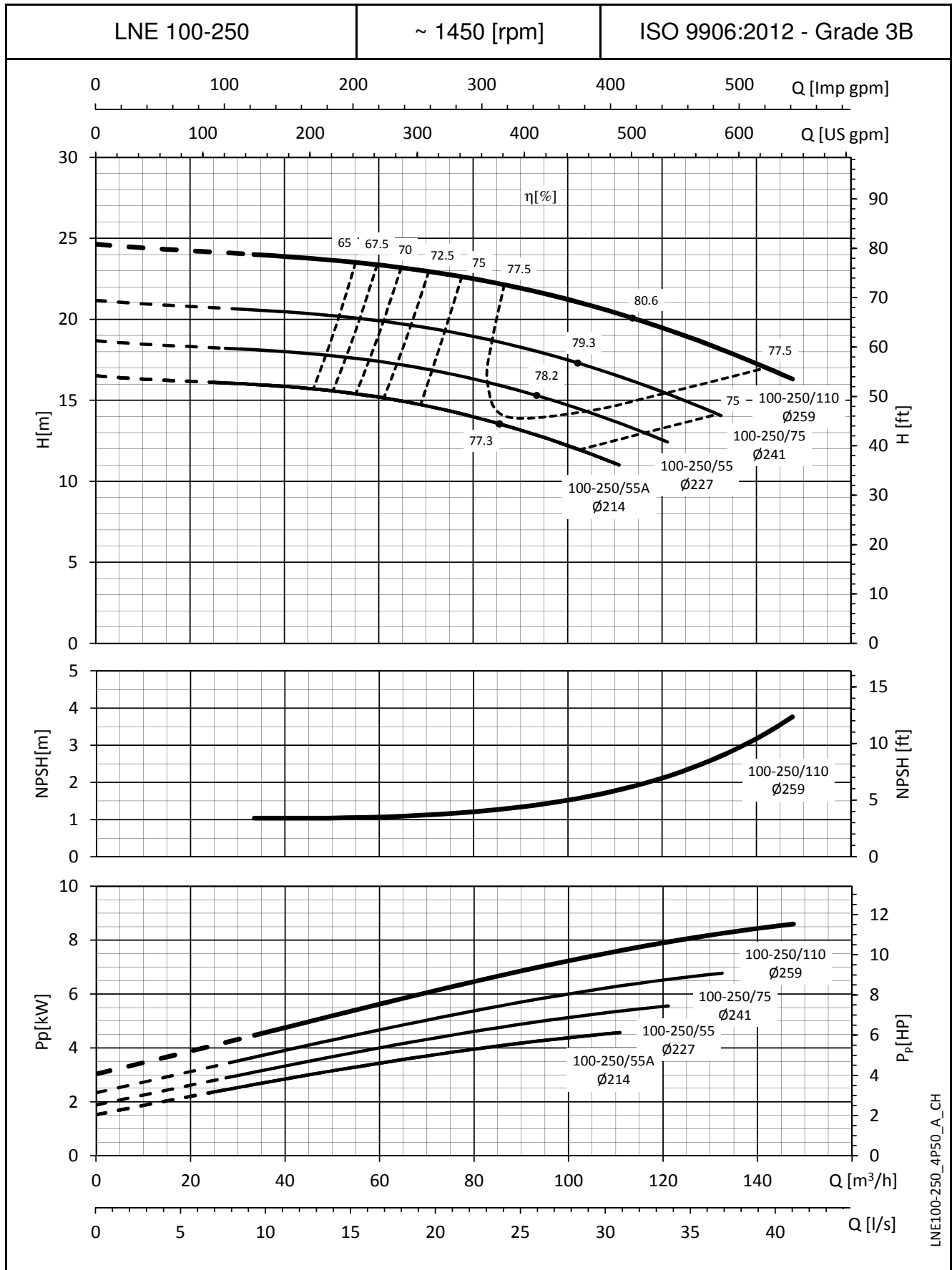


LNE100-200_4P50_B_CH

The NPSH values are laboratory values; for practical use we suggest increasing these values by 0,5 m.
 These performances are valid for liquids with density $\rho = 1,0 \text{ Kg/dm}^3$ and kinematic viscosity $\nu = 1 \text{ mm}^2/\text{sec}$.

e-LNE SERIES

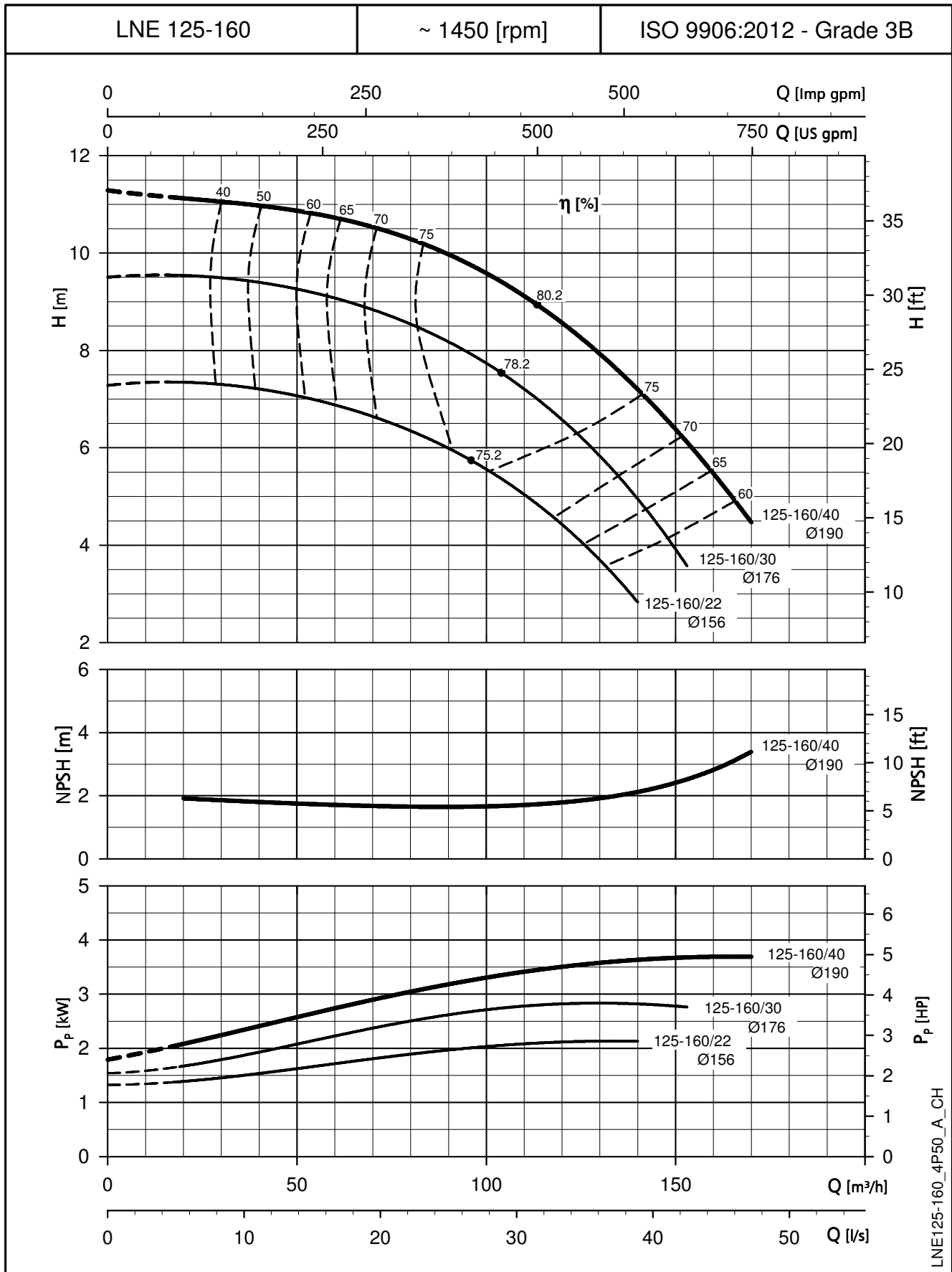
OPERATING CHARACTERISTICS AT 50 Hz, 4 POLES



The NPSH values are laboratory values; for practical use we suggest increasing these values by 0,5 m.
 These performances are valid for liquids with density $\rho = 1,0 \text{ Kg/dm}^3$ and kinematic viscosity $\nu = 1 \text{ mm}^2/\text{sec}$.

e-LNE SERIES

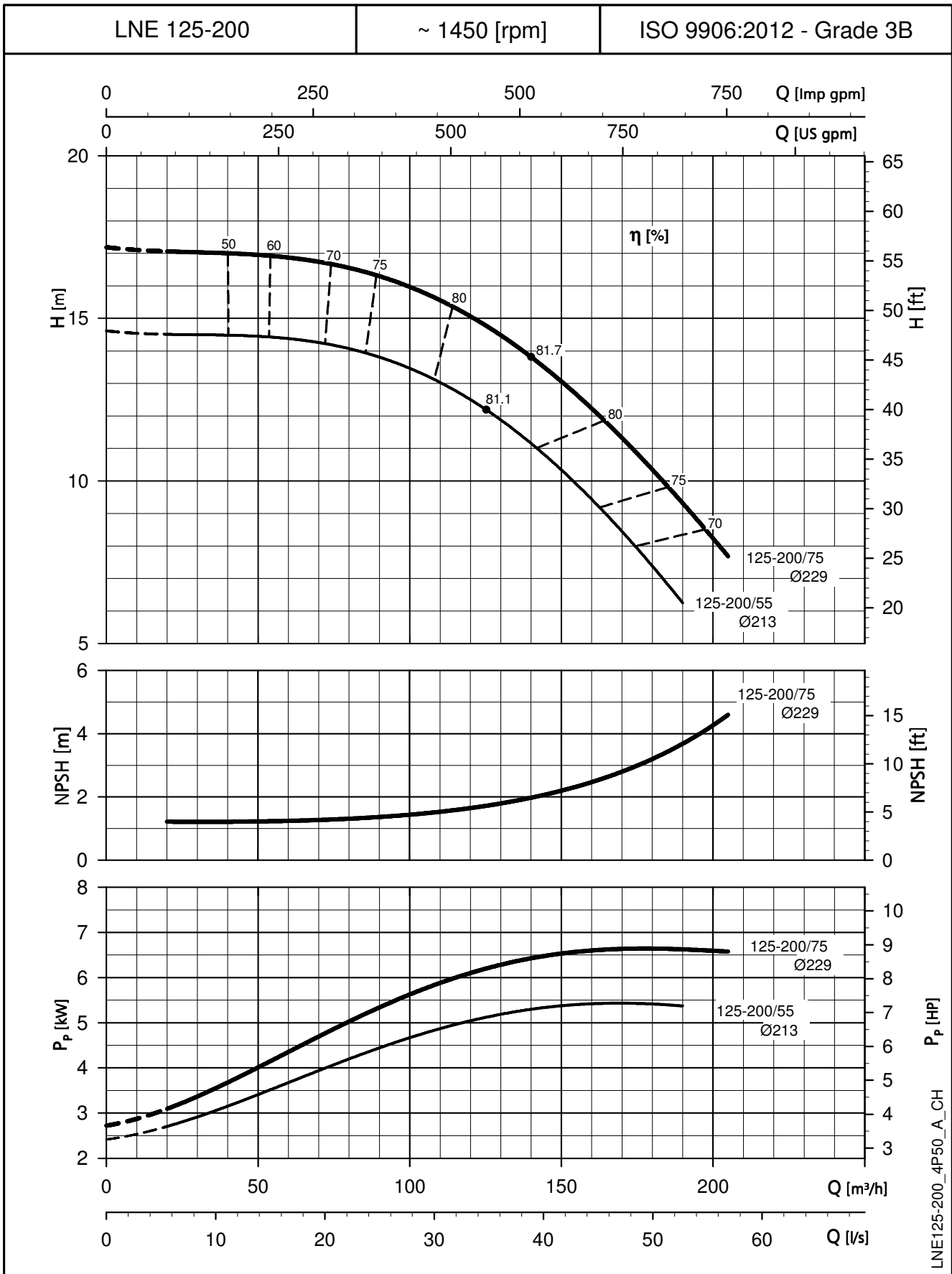
OPERATING CHARACTERISTICS AT 50 Hz, 4 POLES



The NPSH values are laboratory values; for practical use we suggest increasing these values by 0,5 m.
 These performances are valid for liquids with density $\rho = 1,0 \text{ Kg/dm}^3$ and kinematic viscosity $\nu = 1 \text{ mm}^2/\text{sec}$.

e-LNE SERIES

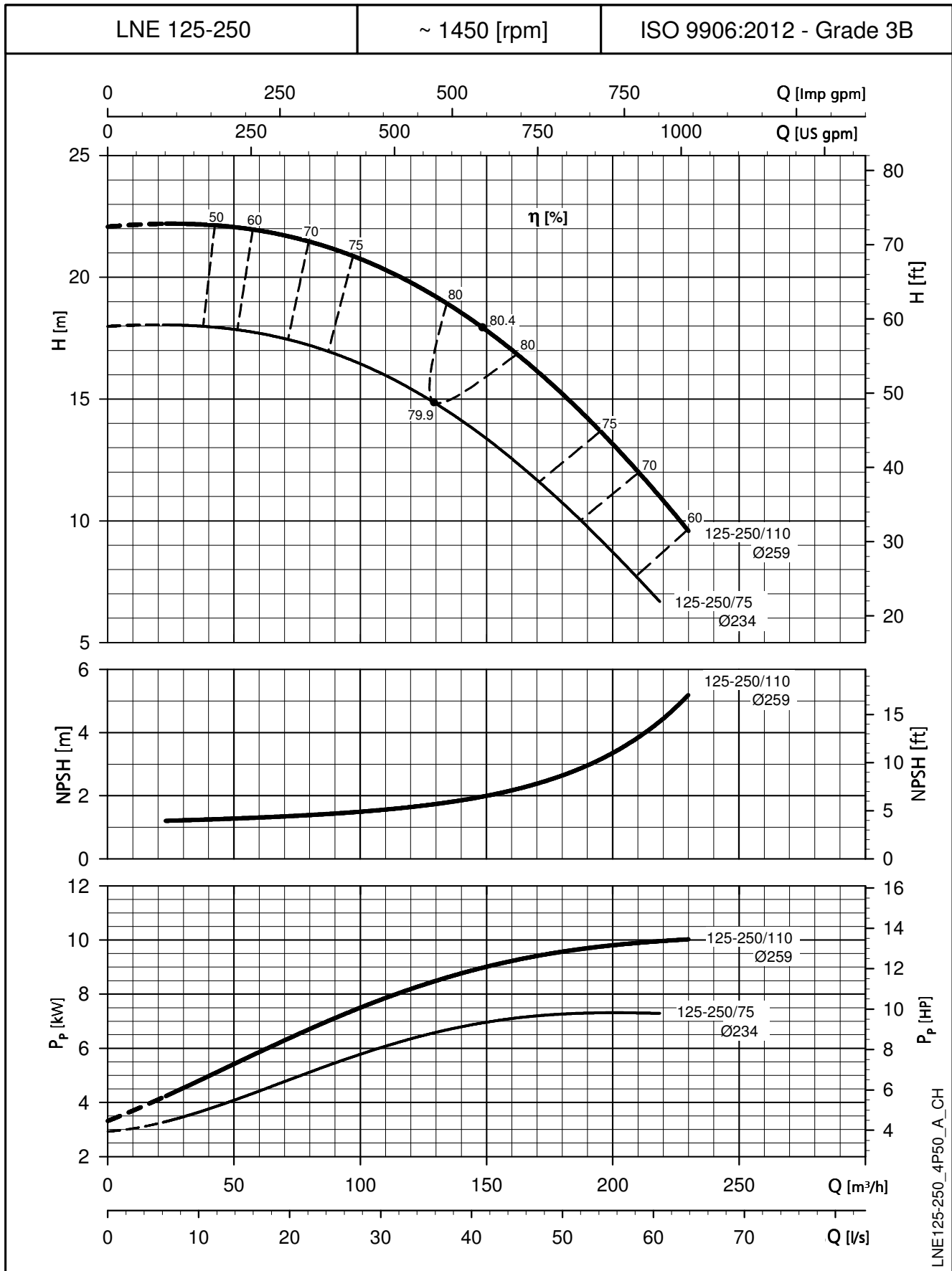
OPERATING CHARACTERISTICS AT 50 Hz, 4 POLES



The NPSH values are laboratory values; for practical use we suggest increasing these values by 0,5 m.
 These performances are valid for liquids with density ρ = 1,0 Kg/dm³ and kinematic viscosity ν = 1 mm²/sec.

e-LNE SERIES

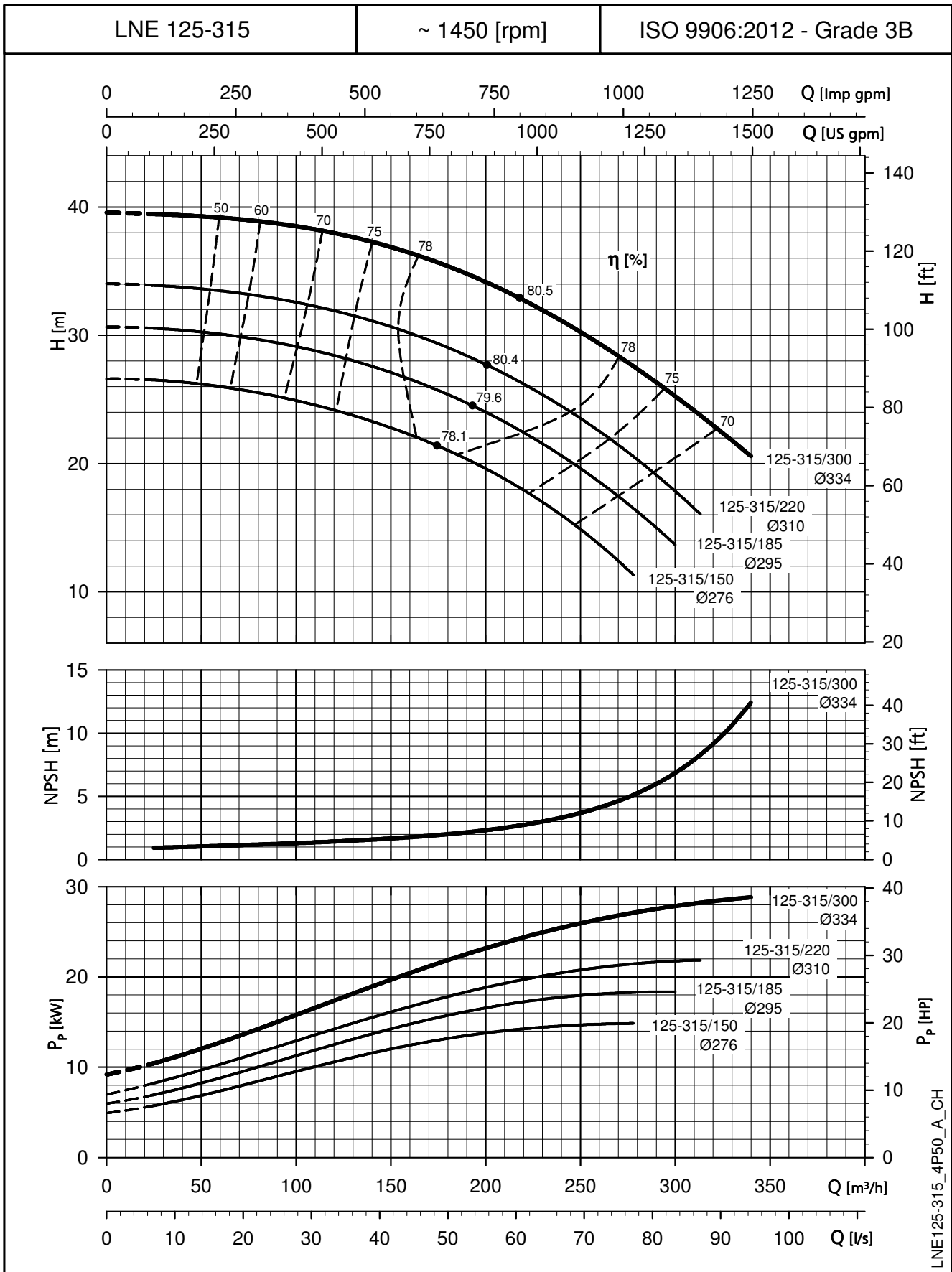
OPERATING CHARACTERISTICS AT 50 Hz, 4 POLES



The NPSH values are laboratory values; for practical use we suggest increasing these values by 0,5 m.
 These performances are valid for liquids with density $\rho = 1,0 \text{ Kg/dm}^3$ and kinematic viscosity $\nu = 1 \text{ mm}^2/\text{sec}$.

e-LNE SERIES

OPERATING CHARACTERISTICS AT 50 Hz, 4 POLES

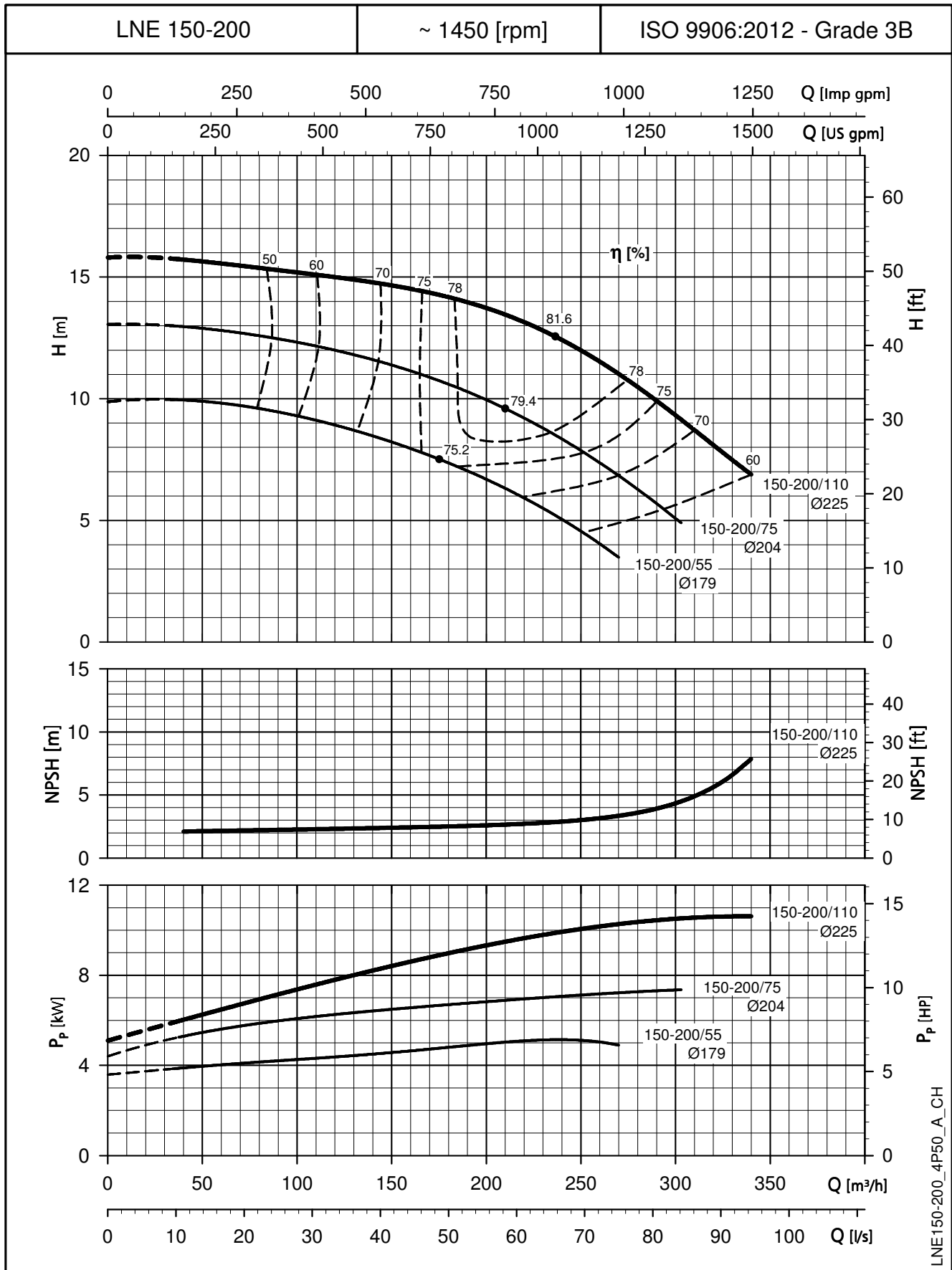


LNE125-315_4P50_A_CH

The NPSH values are laboratory values; for practical use we suggest increasing these values by 0,5 m.
 These performances are valid for liquids with density $\rho = 1,0 \text{ Kg/dm}^3$ and kinematic viscosity $\nu = 1 \text{ mm}^2/\text{sec}$.

e-LNE SERIES

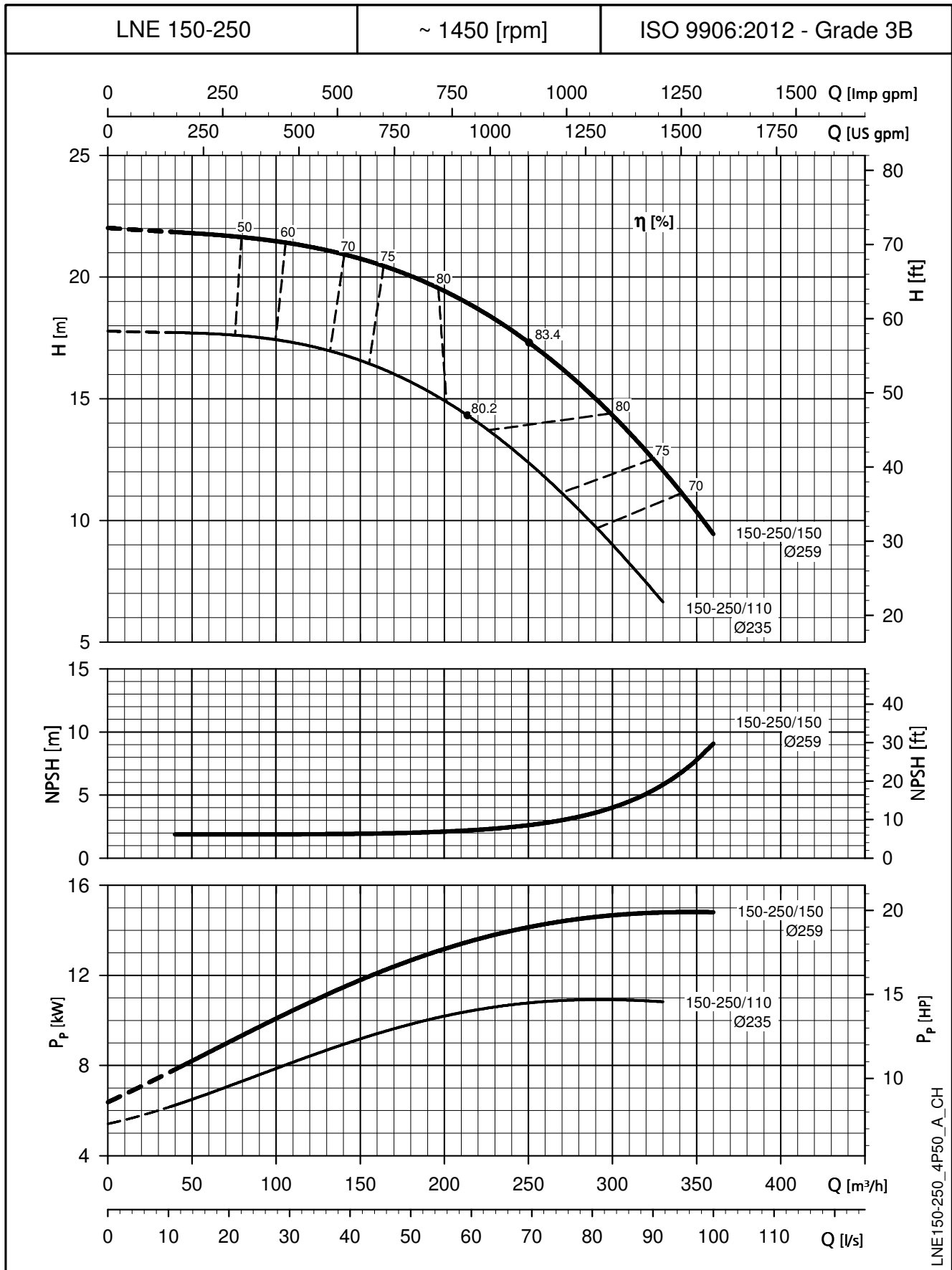
OPERATING CHARACTERISTICS AT 50 Hz, 4 POLES



The NPSH values are laboratory values; for practical use we suggest increasing these values by 0,5 m.
 These performances are valid for liquids with density $\rho = 1,0 \text{ Kg/dm}^3$ and kinematic viscosity $\nu = 1 \text{ mm}^2/\text{sec}$.

e-LNE SERIES

OPERATING CHARACTERISTICS AT 50 Hz, 4 POLES

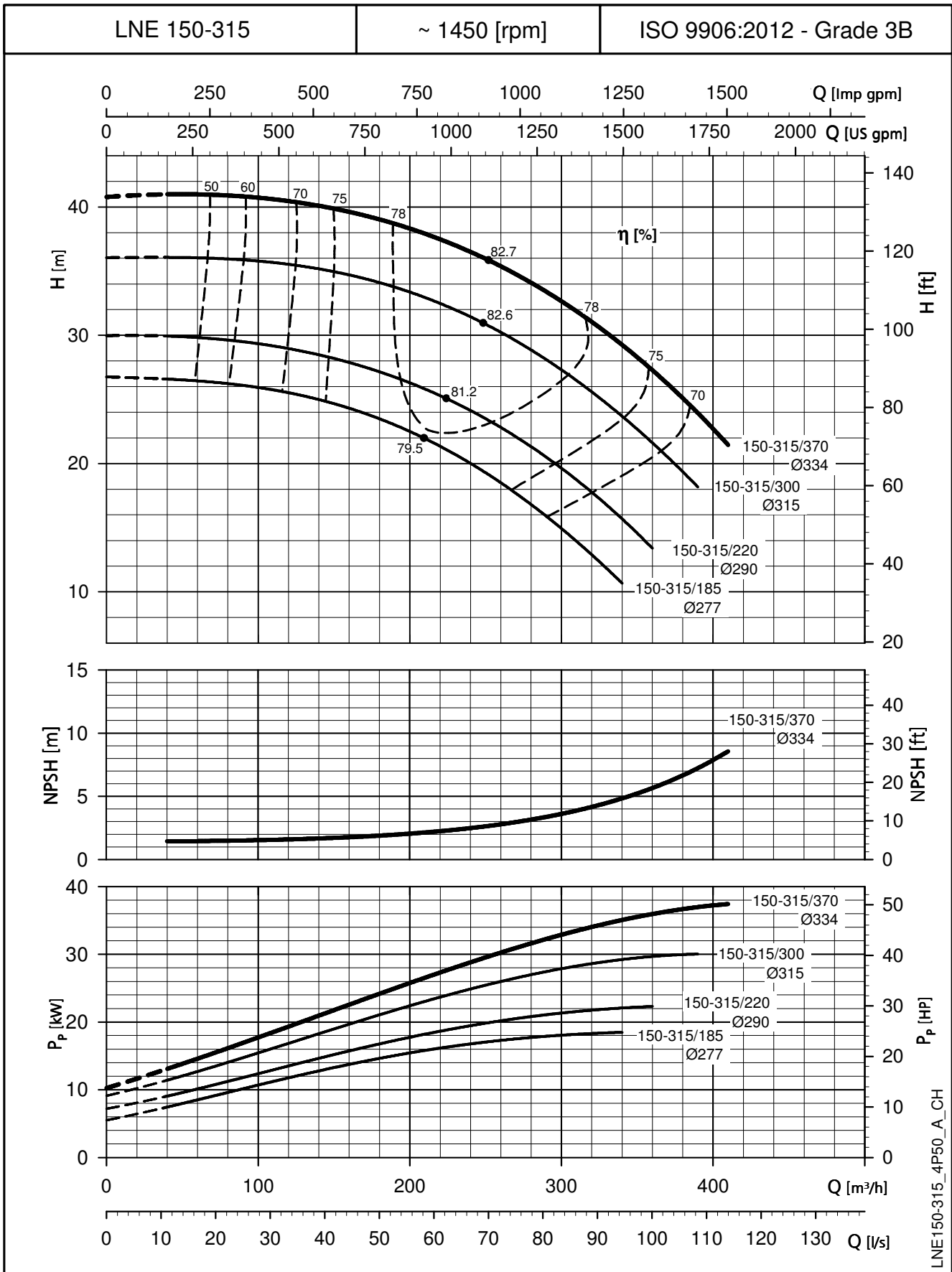


LNE150-250_4P50_A_CH

The NPSH values are laboratory values; for practical use we suggest increasing these values by 0,5 m.
 These performances are valid for liquids with density $\rho = 1,0 \text{ Kg/dm}^3$ and kinematic viscosity $\nu = 1 \text{ mm}^2/\text{sec}$.

e-LNE SERIES

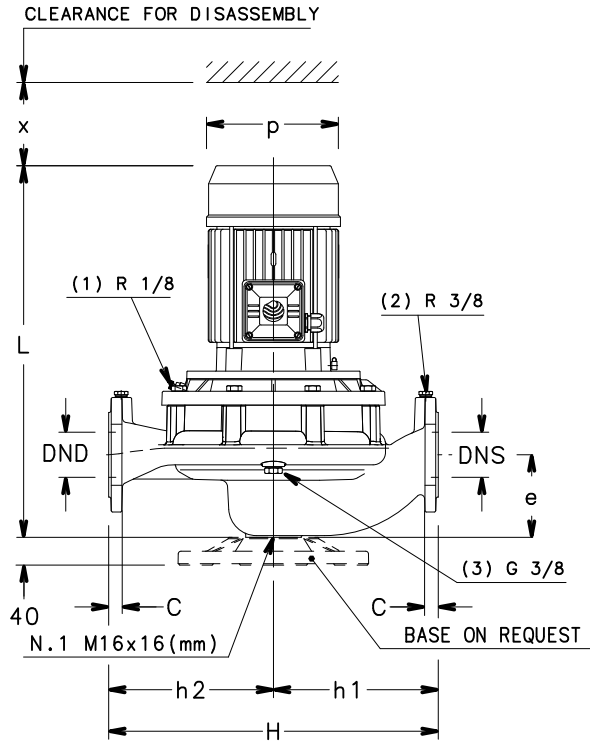
OPERATING CHARACTERISTICS AT 50 Hz, 4 POLES



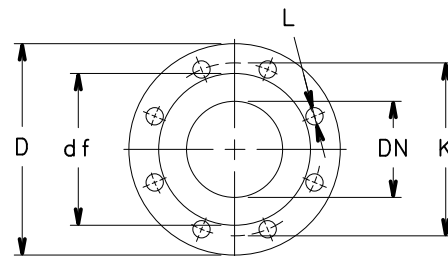
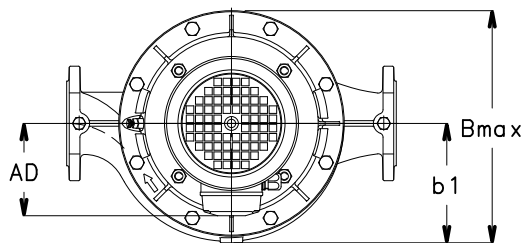
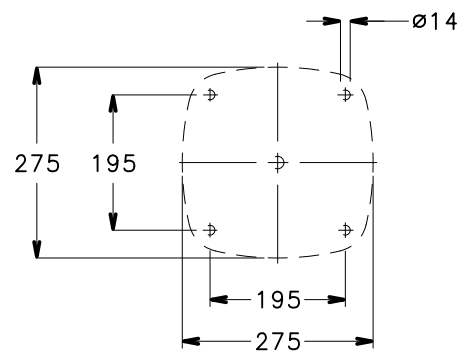
The NPSH values are laboratory values; for practical use we suggest increasing these values by 0,5 m.
 These performances are valid for liquids with density $\rho = 1,0 \text{ Kg/dm}^3$ and kinematic viscosity $\nu = 1 \text{ mm}^2/\text{sec}$.

DIMENSIONS AND WEIGHTS

LNEE 40, 50, 65, 80, 100 SERIES
DIMENSIONS AND WEIGHTS AT 50 Hz, 2 POLES



- (1) R 1/8 AIR VALVE
- (2) R 3/8 PRESSURE GAUGE CONNECTOR
- (3) G 3/8 DRAIN



FLANGE

EN1092-2, PN 16 *)					
DN	D	K	C	df	L
32	140	100	18	76	4x19
40	150	110	18	84	4x19
50	165	125	20	99	4x19
65	185	145	20	118	4x19
80	200	160	22	132	8x19
100	230	180	24	157	8x19

*)...VALUE "C" AND "D" MAY VARY FROM STANDARD.

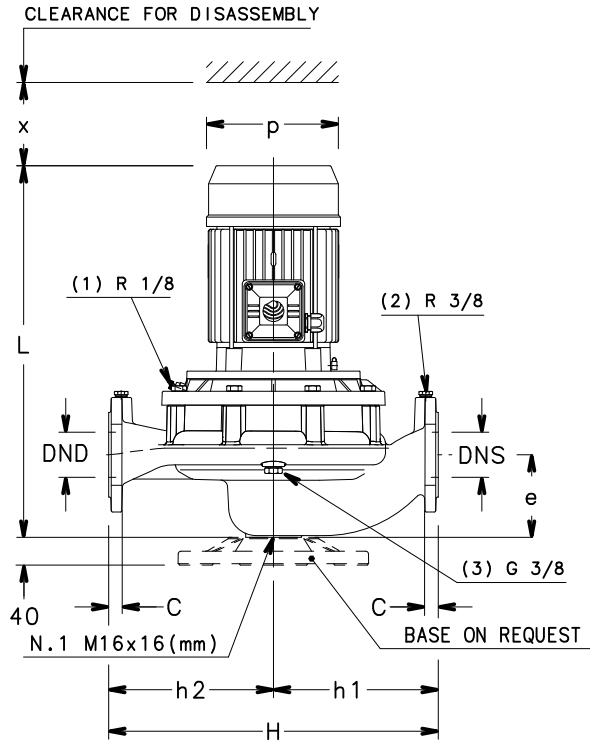
LNEE 40, 50, 65, 80, 100 SERIES DIMENSIONS AND WEIGHTS AT 50 Hz, 2 POLES

PUMP TYPE LNEE..2	DIMENSIONS (mm)								B max	H	L	x	WEIGHT kg
	DND	DNS	e	h1	h2	AD	b1	p					
40-125/11/S	40	40	100	160	160	129	128	155	249	320	473	94	33
40-125/15/S	40	40	100	160	160	129	128	155	249	320	473	94	34
40-125/22/P	40	40	100	160	160	134	128	174	254	320	508	94	41
40-125/30/P	40	40	100	160	160	134	128	174	254	320	508	94	42
40-160/30/P	40	40	100	160	160	134	128	174	254	320	508	94	42
40-160/40/P	40	40	100	160	160	154	128	197	274	320	529	94	47
40-160/55/P	40	40	100	160	160	168	128	214	288	320	563	94	56
40-200/40/P	40	40	110	220	220	154	168	197	336	440	529	104	64
40-200/55/P	40	40	110	220	220	168	168	214	336	440	563	104	73
40-200/75/P	40	40	110	220	220	191	168	256	359	440	577	104	92
40-250/92/P	40	40	110	220	220	191	168	256	359	440	615	104	98
40-250/110/P	40	40	110	220	220	191	168	256	359	440	615	104	101
40-250/150/P	40	40	110	220	220	240	168	313	408	440	704	104	141
50-125/15/S	50	50	116	180	160	129	128	155	247	340	479	96	38
50-125/22/P	50	50	116	180	160	134	128	174	252	340	514	96	45
50-125/30/P	50	50	116	180	160	134	128	174	252	340	514	96	46
50-125/40/P	50	50	116	180	160	154	128	197	272	340	535	96	51
50-160/40/P	50	50	116	180	160	154	128	197	272	340	535	96	51
50-160/55/P	50	50	116	180	160	168	128	214	286	340	569	96	60
50-160/75/P	50	50	116	180	160	191	128	256	319	340	583	96	81
50-200/75/P	50	50	111	220	220	191	168	256	359	440	578	108	95
50-200/92/P	50	50	111	220	220	191	168	256	359	440	616	108	101
50-200/110/P	50	50	111	220	220	191	168	256	359	440	616	108	104
50-250/110/P	50	50	111	220	220	191	168	256	359	440	616	108	104
50-250/150/P	50	50	111	220	220	240	168	313	408	440	705	108	144
50-250/185/P	50	50	111	220	220	240	168	313	408	440	705	108	155
50-250/220/P	50	50	111	220	220	240	168	313	408	440	705	108	164
65-125/30/P	65	65	105	190	170	134	148	174	296	360	528	100	58
65-125/40/P	65	65	105	190	170	154	148	197	302	360	549	100	63
65-125/55/P	65	65	105	190	170	168	148	214	316	360	583	100	72
65-125/75/P	65	65	105	190	170	191	148	256	339	360	597	100	91
65-160/75/P	65	65	105	190	170	191	148	256	339	360	597	94	91
65-160/92/P	65	65	105	190	170	191	148	256	339	360	635	94	97
65-160/110/P	65	65	105	190	170	191	148	256	339	360	635	94	100
65-200/110/P	65	65	118	237,5	237,5	191	178	256	360	475	623	105	108
65-200/150/P	65	65	118	237,5	237,5	240	178	313	409	475	712	105	148
65-200/185/P	65	65	118	237,5	237,5	240	178	313	409	475	712	105	159
65-250/185/P	65	65	118	237,5	237,5	240	178	313	409	475	712	105	159
65-250/220/P	65	65	118	237,5	237,5	240	178	313	409	475	712	105	168
80-160/75/P	80	80	114	215	205	191	168	256	359	420	596	111	103
80-160/92/P	80	80	114	215	205	191	168	256	359	420	634	111	109
80-160/110/P	80	80	114	215	205	191	168	256	359	420	634	111	112
80-160/150/P	80	80	114	215	205	240	168	313	408	420	723	111	152
80-160/185/P	80	80	114	215	205	240	168	313	408	420	723	111	163
100-160/110/P	100	100	140	260	240	191	179	256	359	500	665	123	122
100-160/150/P	100	100	140	260	240	240	179	313	408	500	754	123	162
100-160/185/P	100	100	140	260	240	240	179	313	408	500	754	123	173
100-160/220/P	100	100	140	260	240	240	179	313	408	500	754	123	182

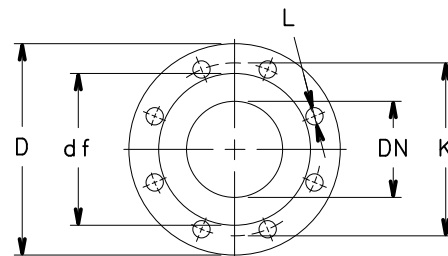
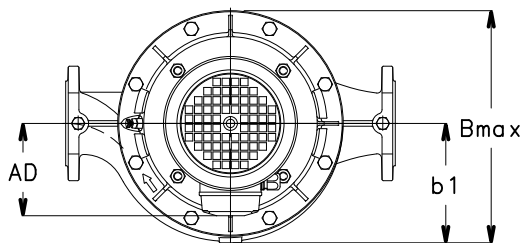
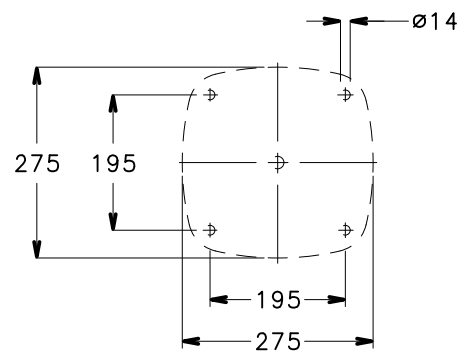
NOTE: Pumps supplied with flanges according to EN 1092-2 as standard. For flanges dimensions see drawing.

LNEE-40-100_2p50-en_a_td

LNEE 40, 50, 65, 80, 100 SERIES
DIMENSIONS AND WEIGHTS AT 50 Hz, 4 POLES



- (1) R 1/8 AIR VALVE
- (2) R 3/8 PRESSURE GAUGE CONNECTOR
- (3) G 3/8 DRAIN



FLANGE

EN1092-2, PN 16 *)					
DN	D	K	C	df	L
32	140	100	18	76	4x19
40	150	110	18	84	4x19
50	165	125	20	99	4x19
65	185	145	20	118	4x19
80	200	160	22	132	8x19
100	230	180	24	157	8x19

*)...VALUE "C" AND "D" MAY VARY FROM STANDARD.

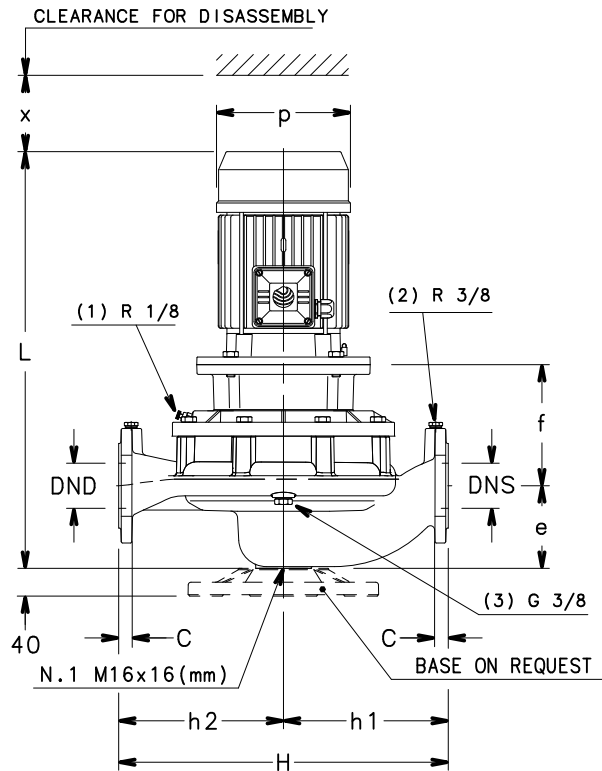
LNEE 40, 50, 65, 80, 100 SERIES DIMENSIONS AND WEIGHTS AT 50 Hz, 4 POLES

PUMP TYPE LNEE..4	DIMENSIONS (mm)								B max	H	L	x	WEIGHT kg
	DND	DNS	e	h1	h2	AD	b1	p					
40-125/02B/S	40	40	100	160	160	121	128	140	248	320	441	94	27
40-125/02A/S	40	40	100	160	160	121	128	140	248	320	441	94	27
40-125/02/S	40	40	100	160	160	121	128	140	248	320	441	94	27
40-125/03/S	40	40	100	160	160	121	128	140	248	320	441	94	28
40-160/03/S	40	40	100	160	160	121	128	140	248	320	441	94	28
40-160/05A/S	40	40	100	160	160	129	128	155	249	320	473	94	39
40-160/07/X	40	40	100	160	160	128	128	159	248	320	441	94	42
40-200/05/S	40	40	110	220	220	129	168	155	336	440	473	104	47
40-200/07/X	40	40	110	220	220	128	168	159	336	440	441	104	50
40-200/11/P	40	40	110	220	220	134	168	174	336	440	508	104	56
40-250/15A/P	40	40	110	220	220	134	168	174	336	440	508	104	56
40-250/15/P	40	40	110	220	220	134	168	174	336	440	508	104	60
40-250/22/P	40	40	110	220	220	168	168	214	336	440	532	104	70
50-125/02A/S	50	50	116	180	160	121	128	140	246	340	447	96	31
50-125/02/S	50	50	116	180	160	121	128	140	246	340	447	96	31
50-125/03/S	50	50	116	180	160	121	128	140	246	340	447	96	32
50-125/05/S	50	50	116	180	160	129	128	155	247	340	479	96	34
50-160/05/S	50	50	116	180	160	129	128	155	247	340	479	96	34
50-160/07/X	50	50	116	180	160	128	128	159	246	340	447	96	37
50-160/11/P	50	50	116	180	160	134	128	174	252	340	514	96	45
50-200/11A/P	50	50	111	220	220	134	168	174	336	440	509	108	59
50-200/11/P	50	50	111	220	220	134	168	174	336	440	509	108	59
50-200/15/P	50	50	111	220	220	134	168	174	336	440	509	108	63
50-250/15/P	50	50	111	220	220	134	168	174	336	440	509	108	63
50-250/22A/P	50	50	111	220	220	168	168	214	336	440	533	108	73
50-250/22/P	50	50	111	220	220	168	168	214	336	440	533	108	73
50-250/30/P	50	50	111	220	220	168	168	214	336	440	564	108	77
65-125/03/S	65	65	105	190	170	121	148	140	296	360	461	100	44
65-125/05/S	65	65	105	190	170	129	148	155	296	360	493	100	46
65-125/07/X	65	65	105	190	170	128	148	159	296	360	461	100	49
65-125/11/P	65	65	105	190	170	134	148	174	296	360	528	100	55
65-160/11A/P	65	65	105	190	170	134	148	174	296	360	528	94	55
65-160/11/P	65	65	105	190	170	134	148	174	296	360	528	94	55
65-160/15/P	65	65	105	190	170	134	148	174	296	360	528	94	59
65-200/15/P	65	65	118	237,5	237,5	134	178	174	347	475	516	105	67
65-200/22A/P	65	65	118	237,5	237,5	168	178	214	347	475	540	105	77
65-200/22/P	65	65	118	237,5	237,5	168	178	214	347	475	540	105	77
65-250/22/P	65	65	118	237,5	237,5	168	178	214	347	475	540	105	77
65-250/30/P	65	65	118	237,5	237,5	168	178	214	347	475	571	105	81
65-250/40/P	65	65	118	237,5	237,5	168	178	214	347	475	616	105	100
80-160/15B/P	80	80	114	215	205	134	168	174	336	420	527	111	67
80-160/15A/P	80	80	114	215	205	134	168	174	336	420	527	111	67
80-160/15/P	80	80	114	215	205	134	168	174	336	420	527	111	67
80-160/22A/P	80	80	114	215	205	168	168	214	336	420	551	111	78
80-160/22/P	80	80	114	215	205	168	168	214	336	420	551	111	78
100-160/15/P	100	100	140	260	240	134	179	174	347	500	558	123	81
100-160/22A/P	100	100	140	260	240	168	179	214	347	500	582	123	91
100-160/22/P	100	100	140	260	240	168	179	214	347	500	582	123	91
100-160/30/P	100	100	140	260	240	168	179	214	347	500	613	123	95

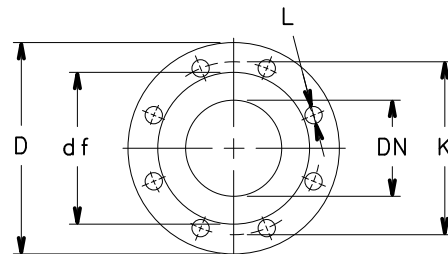
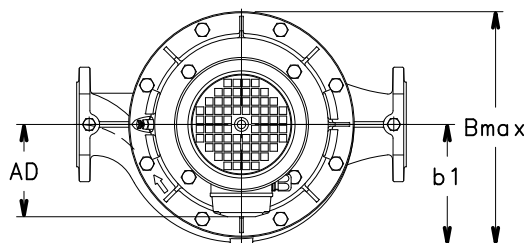
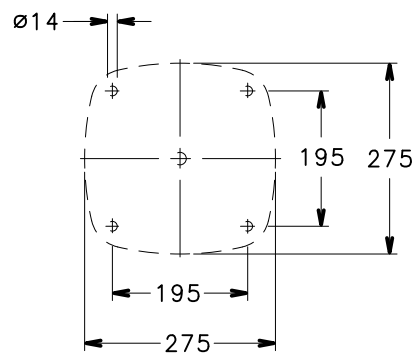
NOTE: Pumps supplied with flanges according to EN 1092-2 as standard. For flanges dimensions see drawing.

LNEE-40-100_4p50-en_b_td

LNES 40, 50, 65 SERIES
DIMENSIONS AND WEIGHTS AT 50 Hz, 2 POLES



- (1) R 1/8 AIR VALVE
- (2) R 3/8 PRESSURE GAUGE CONNECTOR
- (3) G 3/8 DRAIN



FLANGE

EN1092-2, PN 16 *)					
DN	D	K	C	df	L
32	140	100	18	76	4x19
40	150	110	18	84	4x19
50	165	125	20	99	4x19
65	185	145	20	118	4x19
80	200	160	22	132	8x19
100	230	180	24	157	8x19

*)...VALUE "C" AND "D" MAY VARY FROM STANDARD.

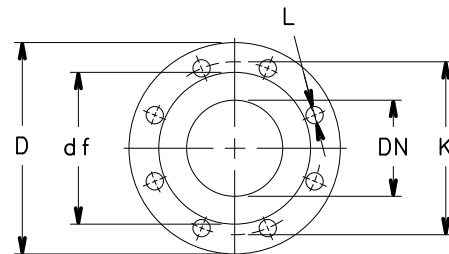
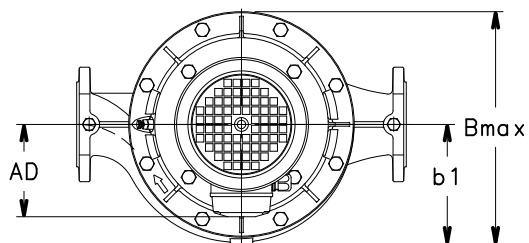
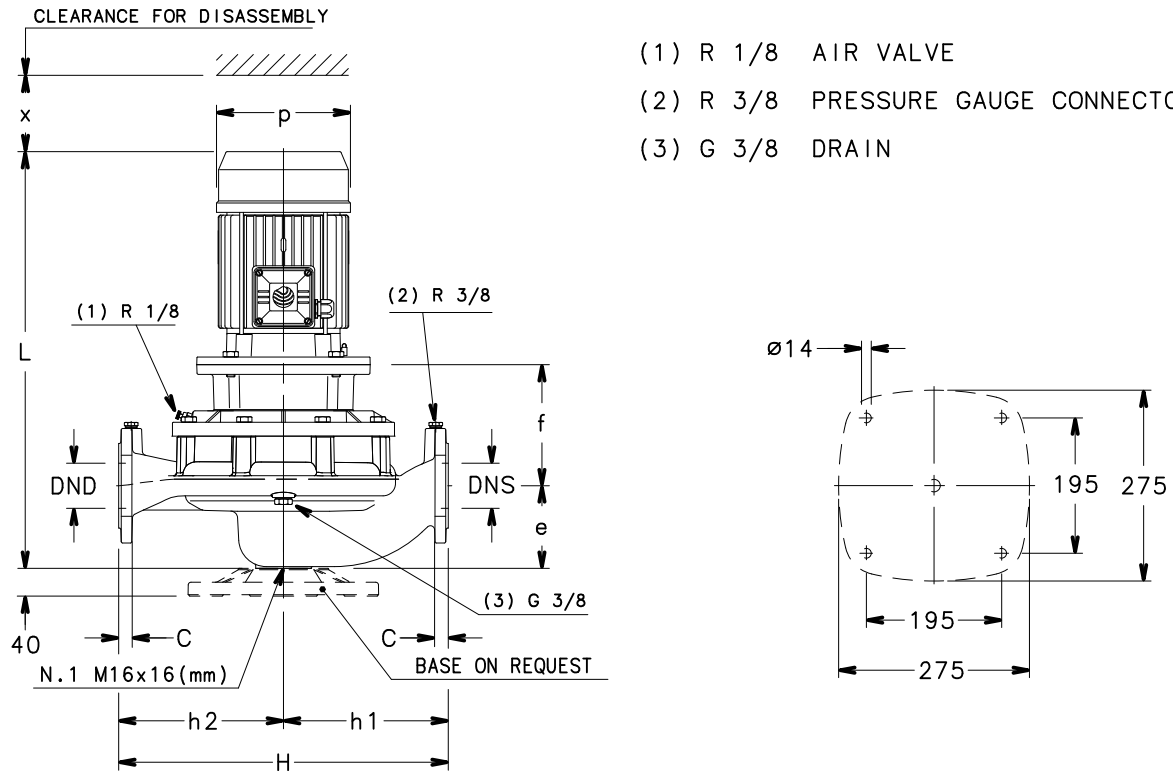
LNES 40, 50, 65 SERIES DIMENSIONS AND WEIGHTS AT 50 Hz, 2 POLES

PUMP TYPE LNES..2	DIMENSIONS (mm)									B max	H	L	x	WEIGHT kg
	DND	DNS	e	f	h1	h2	AD	b1	p					
40-125/11/S	40	40	100	165	160	160	129	128	155	249	320	528	94	33
40-125/15/S	40	40	100	165	160	160	129	128	155	249	320	582	94	37
40-125/22/P	40	40	100	165	160	160	134	128	174	254	320	563	94	44
40-125/30/P	40	40	100	175	160	160	134	128	174	254	320	573	94	49
40-160/30/P	40	40	100	175	160	160	134	128	174	254	320	573	94	49
40-160/40/P	40	40	100	175	160	160	154	128	197	274	320	594	94	52
40-160/55/P	40	40	100	202	160	160	168	128	214	288	320	677	94	65
40-200/40/P	40	40	110	165	220	220	154	168	197	336	440	594	104	69
40-200/55/P	40	40	110	192	220	220	168	168	214	336	440	677	104	82
40-200/75/P	40	40	110	192	220	220	191	168	256	359	440	669	104	101
40-250/110A/P	40	40	110	222	220	220	191	168	256	359	440	760	104	118
40-250/110/P	40	40	110	222	220	220	191	168	256	359	440	760	104	118
40-250/150/P	40	40	110	222	220	220	240	168	313	408	440	826	104	151
50-125/15/S	50	50	116	155	180	160	129	128	155	247	340	534	96	41
50-125/22/P	50	50	116	155	180	160	134	128	174	252	340	569	96	48
50-125/30/P	50	50	116	165	180	160	134	128	174	252	340	579	96	52
50-125/40/P	50	50	116	165	180	160	154	128	197	272	340	600	96	55
50-160/40/P	50	50	116	165	180	160	154	128	197	272	340	600	96	55
50-160/55/P	50	50	116	192	180	160	168	128	214	286	340	683	96	65
50-160/75/P	50	50	116	192	180	160	191	128	256	319	340	675	96	84
50-200/75/P	50	50	111	192	220	220	191	168	256	359	440	670	108	104
50-200/110A/P	50	50	111	222	220	220	191	168	256	359	440	761	108	121
50-200/110/P	50	50	111	222	220	220	191	168	256	359	440	761	108	121
50-250/110/P	50	50	111	222	220	220	191	168	256	359	440	761	108	121
50-250/150/P	50	50	111	222	220	220	240	168	313	408	440	827	108	154
50-250/185/P	50	50	111	222	220	220	240	168	313	408	440	827	108	163
50-250/220/P	50	50	111	222	220	220	240	168	313	408	440	827	108	174
65-125/30/P	65	65	105	190	190	170	134	148	174	296	360	593	100	60
65-125/40/P	65	65	105	190	190	170	154	148	197	302	360	614	100	63
65-125/55/P	65	65	105	217	190	170	168	148	214	316	360	697	100	72
65-125/75/P	65	65	105	217	190	170	191	148	256	339	360	689	100	95
65-160/75/P	65	65	105	217	190	170	191	148	256	339	360	689	94	96
65-160/110A/P	65	65	105	247	190	170	191	148	256	339	360	780	94	117
65-160/110/P	65	65	105	247	190	170	191	148	256	339	360	780	94	117
65-200/110/P	65	65	118	222	237,5	237,5	191	178	256	360	475	768	105	125
65-200/150/P	65	65	118	222	237,5	237,5	240	178	313	409	475	834	105	158
65-200/185/P	65	65	118	222	237,5	237,5	240	178	313	409	475	834	105	167
65-250/185/P	65	65	118	222	237,5	237,5	240	178	313	409	475	834	105	167
65-250/220/P	65	65	118	222	237,5	237,5	240	178	313	409	475	834	105	178
65-250/300/W	65	65	118	228	237,5	237,5	317	178	402	518	475	1003	105	287

NOTE: Pumps supplied with flanges according to EN 1092-2 as standard. For flanges dimensions see drawing.

LNES-40-50-65_2p50-en_a_td

LNES 40, 50, 65 SERIES
DIMENSIONS AND WEIGHTS AT 50 Hz, 4 POLES



FLANGE

EN1092-2, PN 16 *)					
DN	D	K	C	df	L
32	140	100	18	76	4x19
40	150	110	18	84	4x19
50	165	125	20	99	4x19
65	185	145	20	118	4x19
80	200	160	22	132	8x19
100	230	180	24	157	8x19

*)...VALUE "C" AND "D" MAY VARY FROM STANDARD.

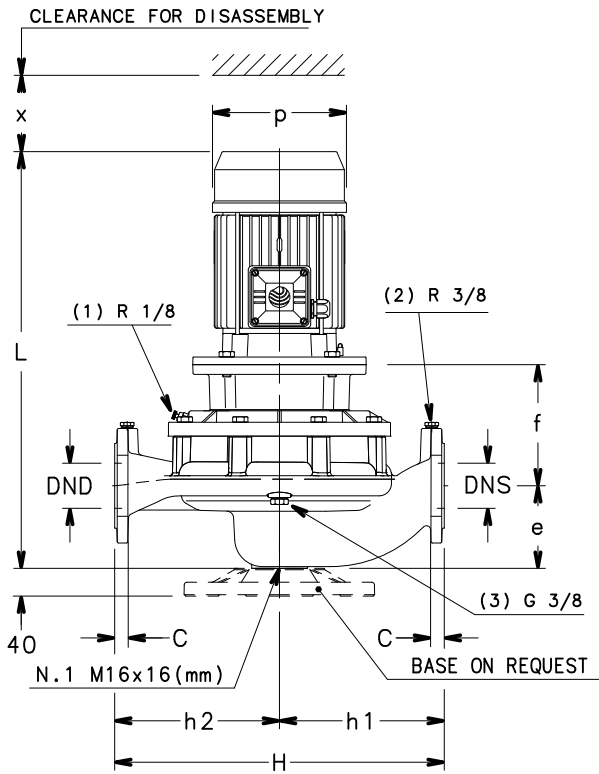
LNES 40, 50, 65 SERIES DIMENSIONS AND WEIGHTS AT 50 Hz, 4 POLES

PUMP TYPE LNES..4	DIMENSIONS (mm)									B max	H	L	x	WEIGHT kg
	DND	DNS	e	f	h1	h2	AD	b1	p					
40-160/05/S	40	40	100	165	160	160	129	128	155	249	320	528	94	33
40-160/07/X	40	40	100	165	160	160	128	128	159	248	320	496	94	36
40-200/05/S	40	40	110	155	220	220	129	168	155	336	440	528	104	50
40-200/07/X	40	40	110	155	220	220	128	168	159	336	440	496	104	53
40-200/11/P	40	40	110	155	220	220	134	168	174	336	440	563	104	59
40-250/11/P	40	40	110	155	220	220	134	168	174	336	440	563	104	59
40-250/15/P	40	40	110	155	220	220	134	168	174	336	440	563	104	63
40-250/22/P	40	40	110	165	220	220	168	168	214	336	440	597	104	74
50-125/05/S	50	50	116	155	180	160	129	128	155	247	340	534	96	37
50-160/05/S	50	50	116	155	180	160	129	128	155	247	340	534	96	37
50-160/07/X	50	50	116	155	180	160	128	128	159	246	340	502	96	40
50-160/11/P	50	50	116	155	180	160	134	128	174	252	340	569	96	46
50-200/11A/P	50	50	111	155	220	220	134	168	174	336	440	564	108	62
50-200/11/P	50	50	111	155	220	220	134	168	174	336	440	564	108	62
50-200/15/P	50	50	111	155	220	220	134	168	174	336	440	564	108	66
50-250/15/P	50	50	111	155	220	220	134	168	174	336	440	564	108	66
50-250/22A/P	50	50	111	165	220	220	168	168	214	336	440	598	108	77
50-250/22/P	50	50	111	165	220	220	168	168	214	336	440	598	108	77
50-250/30/P	50	50	111	165	220	220	168	168	214	336	440	629	108	81
65-125/05/S	65	65	105	180	190	170	129	148	155	296	360	548	100	49
65-125/07/X	65	65	105	180	190	170	128	148	159	296	360	516	100	52
65-125/11/P	65	65	105	180	190	170	134	148	174	296	360	583	100	58
65-160/11A/P	65	65	105	180	190	170	134	148	174	296	360	583	94	58
65-160/11/P	65	65	105	180	190	170	134	148	174	296	360	583	94	58
65-160/15/P	65	65	105	180	190	170	134	148	174	296	360	583	94	62
65-200/15/P	65	65	118	155	237,5	237,5	134	178	174	347	475	571	105	70
65-200/22A/P	65	65	118	165	237,5	237,5	168	178	214	347	475	605	105	81
65-200/22/P	65	65	118	165	237,5	237,5	168	178	214	347	475	605	105	81
65-250/22/P	65	65	118	165	237,5	237,5	168	178	214	347	475	605	105	81
65-250/30/P	65	65	118	165	237,5	237,5	168	178	214	347	475	636	105	85
65-250/40/P	65	65	118	165	237,5	237,5	168	178	214	347	475	681	105	104

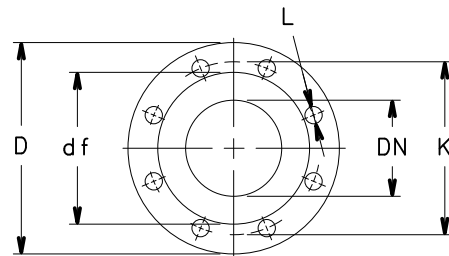
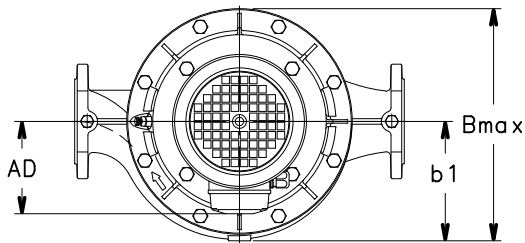
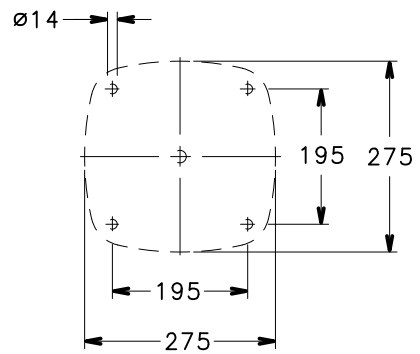
NOTE: Pumps supplied with flanges according to EN 1092-2 as standard. For flanges dimensions see drawing.

LNES-40-50-65_4p50-en_b_td

LNES 80, 100 SERIES
DIMENSIONS AND WEIGHTS AT 50 Hz, 2 POLES



- (1) R 1/8 AIR VALVE
- (2) R 3/8 PRESSURE GAUGE CONNECTOR
- (3) G 3/8 DRAIN



FLANGE

EN1092-2, PN 16 *)					
DN	D	K	C	df	L
32	140	100	18	76	4x19
40	150	110	18	84	4x19
50	165	125	20	99	4x19
65	185	145	20	118	4x19
80	200	160	22	132	8x19
100	230	180	24	157	8x19

*)...VALUE "C" AND "D" MAY VARY FROM STANDARD.

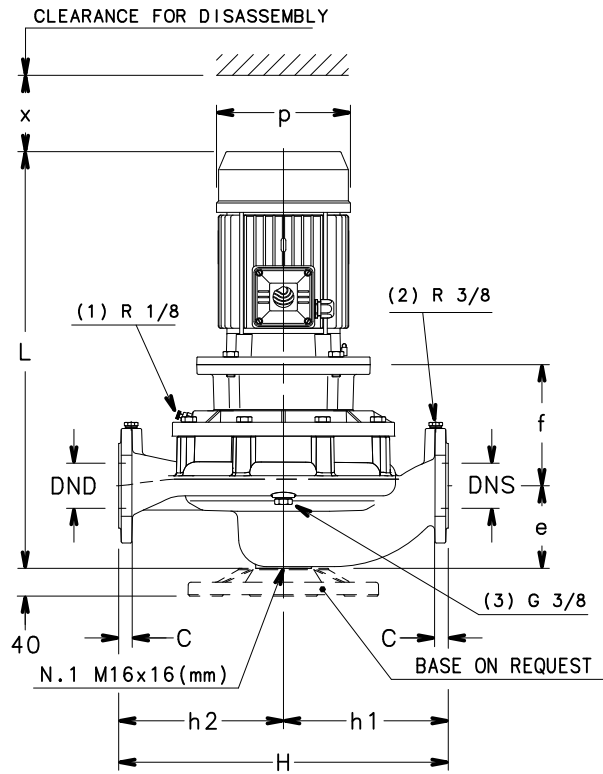
LNES 80, 100 SERIES DIMENSIONS AND WEIGHTS AT 50 Hz, 2 POLES

PUMP TYPE LNES..2	DIMENSIONS (mm)									B max	H	L	x	WEIGHT kg
	DND	DNS	e	f	h1	h2	AD	b1	p					
80-160/75/P	80	80	114	207	215	205	191	168	256	359	420	688	111	108
80-160/110A/P	80	80	114	237	215	205	191	168	256	359	420	779	111	129
80-160/110/P	80	80	114	237	215	205	191	168	256	359	420	779	111	129
80-160/150/P	80	80	114	237	215	205	240	168	313	408	420	845	111	162
80-160/185/P	80	80	114	237	215	205	240	168	313	408	420	845	111	171
80-200/185/P	80	80	132	240	265	235	240	185	313	408	500	866	130	169
80-200/220/P	80	80	132	240	265	235	240	185	313	408	500	866	130	180
80-200/300/W	80	80	132	246	265	235	317	185	402	518	500	1035	130	289
80-250/370/W	80	80	132	246	265	235	317	185	402	518	500	1035	130	304
100-160/110/P	100	100	140	240	260	240	191	179	256	359	500	810	123	139
100-160/150/P	100	100	140	240	260	240	240	179	313	408	500	876	123	172
100-160/185/P	100	100	140	240	260	240	240	179	313	408	500	876	123	181
100-160/220/P	100	100	140	240	260	240	240	179	313	408	500	876	123	192
100-200/220/P	100	100	175	240	300	250	240	201	313	410	550	909	152	196
100-200/300/W	100	100	175	246	300	250	317	201	402	518	550	1078	152	296
100-200/370/W	100	100	175	246	300	250	317	201	402	518	550	1078	152	311
100-250/370/W	100	100	175	246	300	250	317	201	402	518	550	1078	152	311

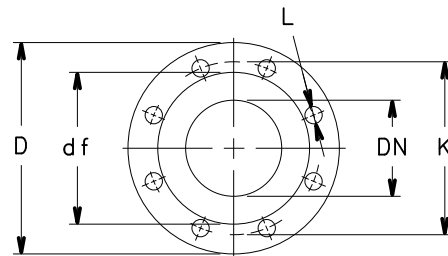
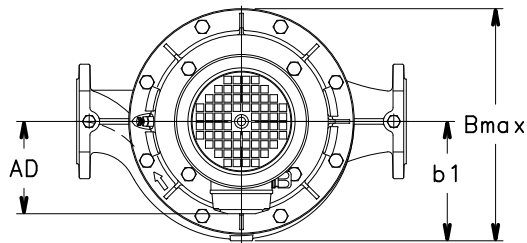
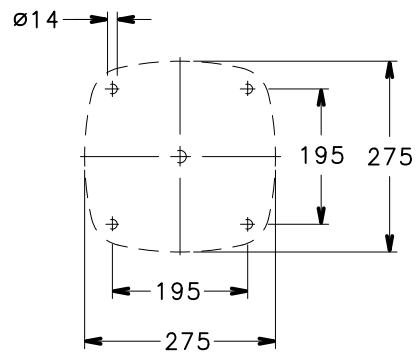
NOTE: Pumps supplied with flanges according to EN 1092-2 as standard. For flanges dimensions see drawing.

LNES-80-100_2p50-en_a_td

LNES 80, 100 SERIES
DIMENSIONS AND WEIGHTS AT 50 Hz, 4 POLES



- (1) R 1/8 AIR VALVE
- (2) R 3/8 PRESSURE GAUGE CONNECTOR
- (3) G 3/8 DRAIN



FLANGE

EN1092-2, PN 16 *)					
DN	D	K	C	df	L
32	140	100	18	76	4x19
40	150	110	18	84	4x19
50	165	125	20	99	4x19
65	185	145	20	118	4x19
80	200	160	22	132	8x19
100	230	180	24	157	8x19

*)...VALUE "C" AND "D" MAY VARY FROM STANDARD.

LNES 80, 100 SERIES DIMENSIONS AND WEIGHTS AT 50 Hz, 4 POLES

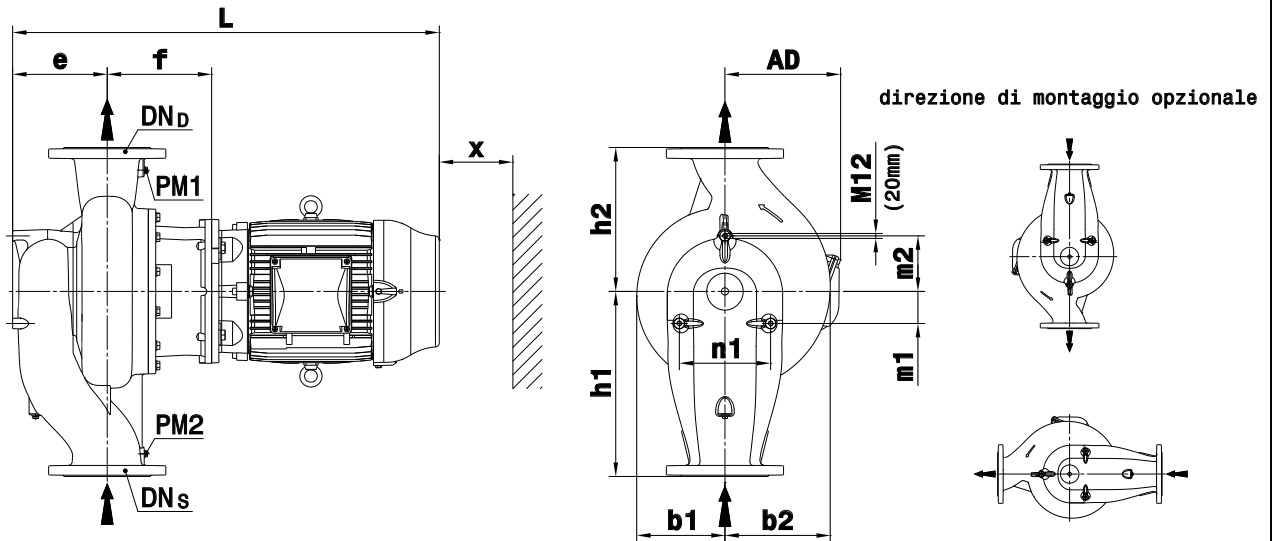
PUMP TYPE LNES..4	DIMENSIONS (mm)									B max	H	L	x	WEIGHT kg
	DND	DNS	e	f	h1	h2	AD	b1	p					
80-160/11A/P	80	80	114	170	215	205	134	168	174	336	420	582	111	68
80-160/11/P	80	80	114	170	215	205	134	168	174	336	420	582	111	68
80-160/15/P	80	80	114	170	215	205	134	168	174	336	420	582	111	72
80-160/22A/P	80	80	114	170	215	205	168	168	214	336	420	616	111	85
80-160/22/P	80	80	114	180	215	205	168	168	214	336	420	616	111	85
80-200/22/P	80	80	132	183	265	235	168	185	214	353	500	637	130	83
80-200/30/P	80	80	132	183	265	235	168	185	214	353	500	668	130	87
80-200/40/P	80	80	132	183	265	235	168	185	214	353	500	713	130	106
80-250/55A/P	80	80	132	210	265	235	191	185	256	359	500	747	130	117
80-250/55/P	80	80	132	210	265	235	191	185	256	359	500	747	130	117
80-250/75/P	80	80	132	210	265	235	191	185	256	359	500	747	130	121
100-160/15/P	100	100	140	175	260	240	134	179	174	347	500	613	123	84
100-160/22A/P	100	100	140	185	260	240	168	179	214	347	500	647	123	95
100-160/22/P	100	100	140	185	260	240	168	179	214	347	500	647	123	95
100-160/30/P	100	100	140	185	260	240	168	179	214	347	500	678	123	99
100-200/30/P	100	100	175	183	300	250	134	201	174	371	550	711	152	103
100-200/40/P	100	100	175	183	300	250	168	201	214	371	550	756	152	122
100-200/55A/P	100	100	175	210	300	250	168	201	214	371	550	790	152	133
100-200/55/P	100	100	175	210	300	250	168	201	214	371	550	790	152	133
100-250/55A/P	100	100	175	210	300	250	191	201	256	371	550	790	152	133
100-250/55/P	100	100	175	210	300	250	191	201	256	371	550	790	152	133
100-250/75/P	100	100	175	210	300	250	191	201	256	371	550	790	152	137
100-250/110/P	100	100	175	240	300	250	240	201	313	410	550	909	152	201

NOTE: Pumps supplied with flanges according to EN 1092-2 as standard. For flanges dimensions see drawing.

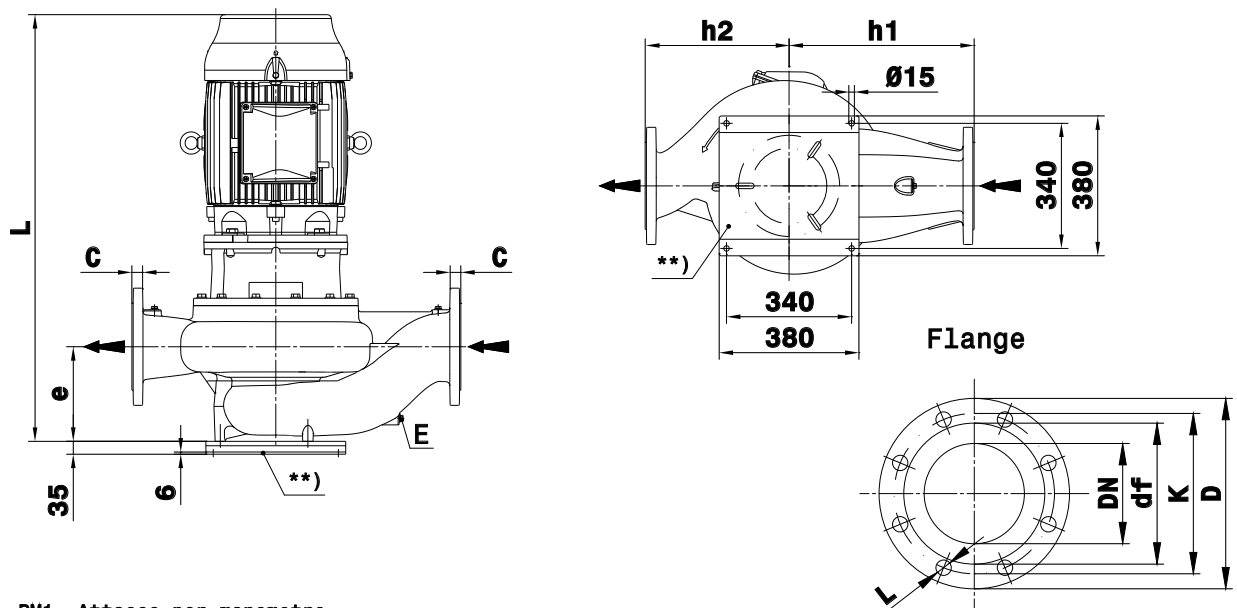
LNES-80-100_4p50-en_b_td

**LNES 125, 150 SERIES
DIMENSIONS AND WEIGHTS AT 50 Hz, 4 POLES**

TIPO A



TIPO B



PM1..Attacco per manometro
PM2..Attacco per manometro
E....Scarico

*)...Valori C e D possono variare dallo standard

**)..Base di supporto per installazione orizzontale 8kg (opzionale)

TIPO A solo fino a 7,5kW

Connessioni	
PM1 / PM2	1/4"
E	1/4"

EN1092-2, PN 16 *)					
DN	D	K	C	df	L
125	255	210	26	184	8x19
150	285	240	26	211	8x23

LNES_A_DD

LNES 125, 150 SERIES DIMENSIONS AND WEIGHTS AT 50 Hz, 4 POLES

PUMP TYPE LNES..4	DIMENSIONS (mm)														WEIGHT (kg)
	DND	DNS	e	f	h1	h2	m1	m2	n1	b1	b2	x	AD	L	G
125-160/22/P	125	125	215	183	340	280	60	105	172	166	212	140	168	720	112
125-160/30/P	125	125	215	183	340	280	60	105	172	166	212	140	168	751	118
125-160/40/P	125	125	215	183	340	280	60	105	172	166	212	140	168	796	140
125-200/55/P	125	125	215	210	340	280	60	105	172	166	212	140	191	830	150
125-200/75/P	125	125	215	210	340	280	60	105	172	166	212	140	191	830	154
125-250/75/P	125	125	230	215	450	350	63	110	180	223	275	140	191	850	189
125-250/110/P	125	125	230	245	450	350	63	110	180	223	275	140	240	969	219
125-315/150/P	125	125	230	245	450	350	63	110	180	223	275	140	240	969	278
125-315/185/W	125	125	230	245	450	350	63	110	180	223	275	140	279	1029	329
125-315/220/W	125	125	230	245	450	350	63	110	180	223	275	140	279	1067	347
125-315/300/W	125	125	230	251	450	350	63	110	180	223	275	140	317	1138	396
150-200/55/P	150	150	230	225	450	350	75	130	212	182	253	140	191	860	183
150-200/75/P	150	150	230	225	450	350	75	130	212	182	253	140	191	860	187
150-200/110/P	150	150	230	255	450	350	75	130	212	182	253	140	240	979	217
150-250/110/P	150	150	230	240	450	350	75	130	212	193	255	140	240	964	223
150-250/150/P	150	150	230	240	450	350	75	130	212	193	255	140	240	964	265
150-315/185/W	150	150	230	254	450	350	78	135	222	215	257	140	279	1038	335
150-315/220/W	150	150	230	254	450	350	78	135	222	215	257	140	279	1076	353
150-315/300/W	150	150	230	254	450	350	78	135	222	215	257	140	317	1141	399
150-315/370/W	150	150	230	284	450	350	78	135	222	215	257	140	384	1260	557

NOTE: Pumps supplied with flanges according to EN 1092-2 as standard. For flanges dimensions see drawing.

LNES-4p50-en_b_td

LNE..H

(e-LNE WITH HYDROVAR)

LNE..H SERIES (e-LNE WITH HYDROVAR)

Background and context

For all pumping needs in commercial or residential building and in industry applications, the demand for intelligent pumping systems is constantly growing. Controlled systems offer many advantages: reduced operating costs for the lifetime of the pump, lower environmental impact, longer lifetime of piping systems and networks.

For this reason, Lowara has developed the LNE..H: an intelligent pumping system which assures high level performance with energy consumption tailored to the system's demand.

Benefits of e-LNE with HYDROVAR

Saving: LNE..H transforms the LNE pumps into variable speed intelligent pumping systems. Thanks to the HYDROVAR, the speed of each pump varies so as to maintain a constant flow, a constant pressure, or a differential pressure. In doing so, at any point in time, the pump only receives the energy required. This in turns allows for considerable savings, especially for systems that have varying loads throughout the day.

Easy installation and space-saving: LNE..H saves time and space during installation. The Hydrovar is delivered already mounted on the motor (for models up to 22kW). The hydrovar is kept cool by the motor fan and does not require a control panel. In order to function, only fuses on the supply line are needed (Check your local electrical installation regulations). A wall-mounted HYDROVAR version is available for higher power outputs (up to 45 kW).

Standard motors: LNE..H models are fitted with three-phase standard TEFC motors with insulation class 155 (F).

Key Features of the Hydrovar

- **No need for additional pressure sensors:**
The LNE..H is fitted with a pressure transmitter or differential pressure transmitters, depending on the application.
- **No need for special pumps or motors.**
- **No need for bypass or safety systems:**
The LNE..H will immediately switch off when demand drops to zero or when it exceeds maximum pump capacity; thus making installation of additional safety devices unnecessary.
- **Anti-condensation device:**
The LNE..H is fitted with anti-condensation devices which switch on when the pump is in standby in order to prevent condensation forming in the unit.



LNE..H SERIES (e-LNE WITH HYDROVAR)

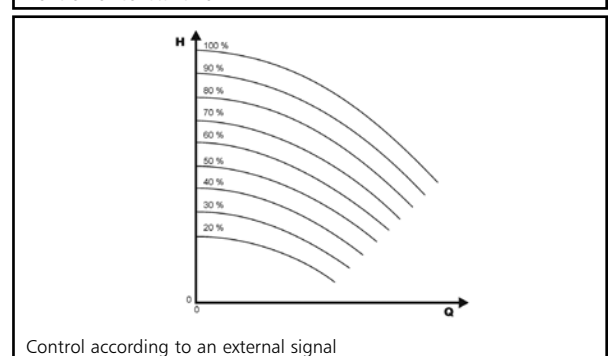
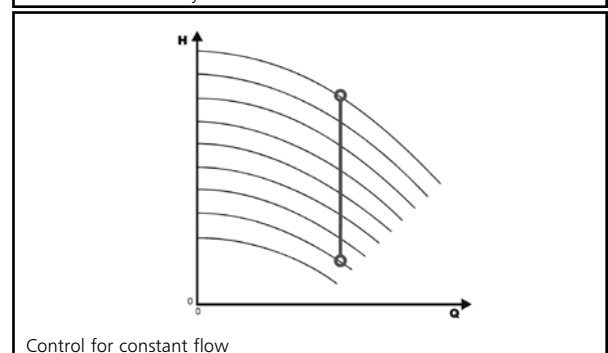
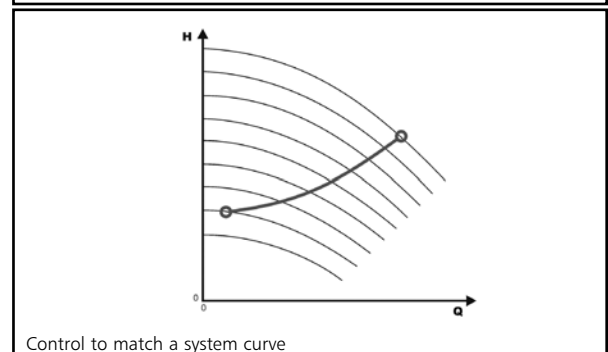
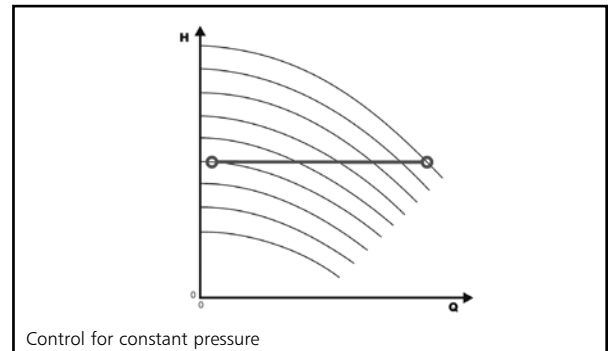
The basic function of the HYDROVAR device is to control the pump to meet the system demands.

HYDROVAR performs these functions by:

- 1) Measuring the system pressure or flow via a transmitter mounted on the pump's delivery side.
- 2) Calculating the motor speed to maintain the correct flow or pressure.
- 3) Sending out a signal to the pump to start the motor, increase speed, decrease speed or stop.
- 4) In the case of multiple pump installations, HYDROVAR will automatically provide for the cyclic changeover of the pumps' starting sequence.

In addition to these basic functions, HYDROVAR can perform controls only manageable by the most advanced computerized control systems. Some examples are:

- Stop the pump(s) at zero demand.
- Stop the pump(s) in case of water failure on the suction side (protection against dry running).
- Stop the pump if the required delivery exceeds the pump's capacity (protection against cavitation caused by excessive demand), or automatically switch on the next pump in a multiple series.
- Protect the pump and motor from over-voltage, under-voltage, overload, and earth fault.
- Vary the pump speed: acceleration and deceleration time.
- Compensate for increased flow resistance at high flow rates.
- Conduct automatic tests at set intervals.
- Monitor the converter and motor operating hours.
- Display all functions on an LCD in different languages (Italian, English, French, German, Spanish, Portuguese, Dutch).
- Send a signal to a remote control system which is proportional to the pressure and frequency.
- Communicate with another HYDROVAR or control system via an RS 485 interface.



e-LNE..H SERIES
LIST OF MODELS AT 50 Hz, 2 POLES

SIZE LNEH..2	kW	VERSION	
		LNEEH	LNESH
40-125/11	1,1	•	•
40-125/15	1,5	•	•
40-125/22	2,2	•	•
40-125/30	3	•	•
40-160/30	3	•	•
40-160/40	4	•	•
40-160/55	5,5	•	•
40-200/40	4	•	•
40-200/55	5,5	•	•
40-200/75	7,5	•	•
40-250/92	9,2	•	-
40-250/110A	11	-	•
40-250/110	11	•	•
40-250/150	15	•	•
50-125/15	1,5	•	•
50-125/22	2,2	•	•
50-125/30	3	•	•
50-125/40	4	•	•
50-160/40	4	•	•
50-160/55	5,5	•	•
50-160/75	7,5	•	•
50-200/75	7,5	•	•
50-200/92	9,2	•	-
50-200/110A	11	-	•
50-200/110	11	•	•
50-250/110	11	•	•
50-250/150	15	•	•
50-250/185	18,5	•	•
50-250/220	22	•	•
65-125/30	3	•	•
65-125/40	4	•	•
65-125/55	5,5	•	•
65-125/75	7,5	•	•
65-160/75	7,5	•	•
65-160/92	9,2	•	-
65-160/110A	11	-	•
65-160/110	11	•	•
65-200/110	11	•	•
65-200/150	15	•	•
65-200/185	18,5	•	•
65-250/185	18,5	•	•
65-250/220	22	•	•

• = Available

LNEH_models-2p50-en_a_sc

SIZE LNEH..2	kW	VERSION	
		LNEEH	LNESH
80-160/75	7,5	•	•
80-160/92	9,2	•	-
80-160/110A	11	-	•
80-160/110	11	•	•
80-160/150	15	•	•
80-160/185	18,5	•	•
80-200/185	18,5	-	•
80-200/220	22	-	•
100-160/110	11	•	•
100-160/150	15	•	•
100-160/185	18,5	•	•
100-160/220	22	•	•
100-200/220	22	-	•

LEGEND

LNEEH : Extended shaft with HYDROVAR
(single version).

LNESH : Stub shaft with HYDROVAR (single version).

e-LNE..H SERIES
LIST OF MODELS AT 50 Hz, 4 POLES

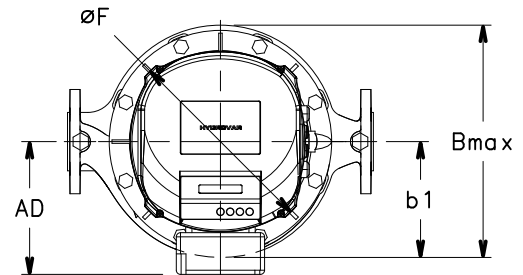
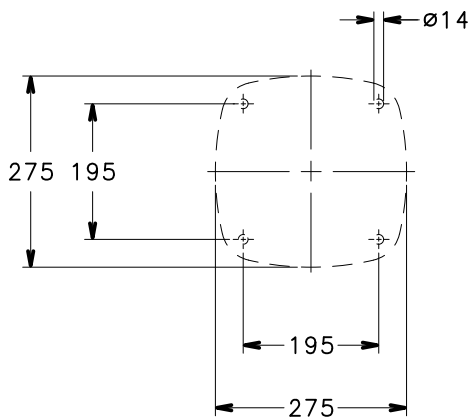
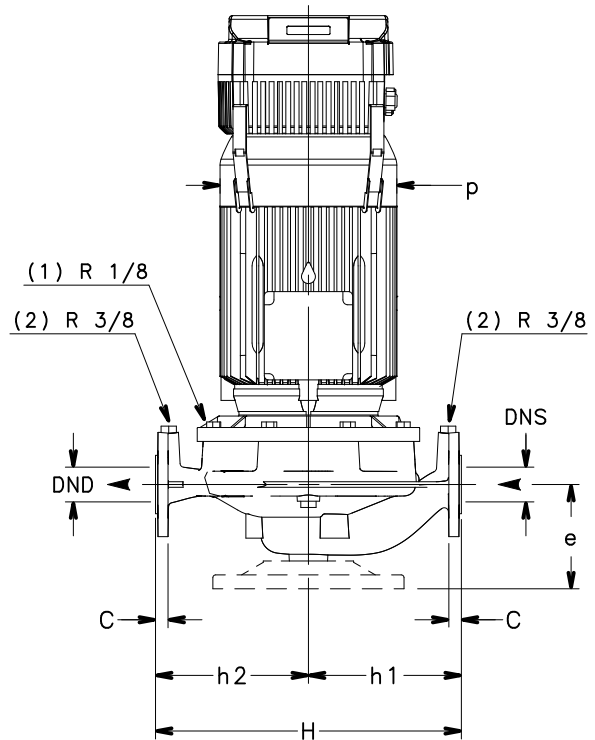
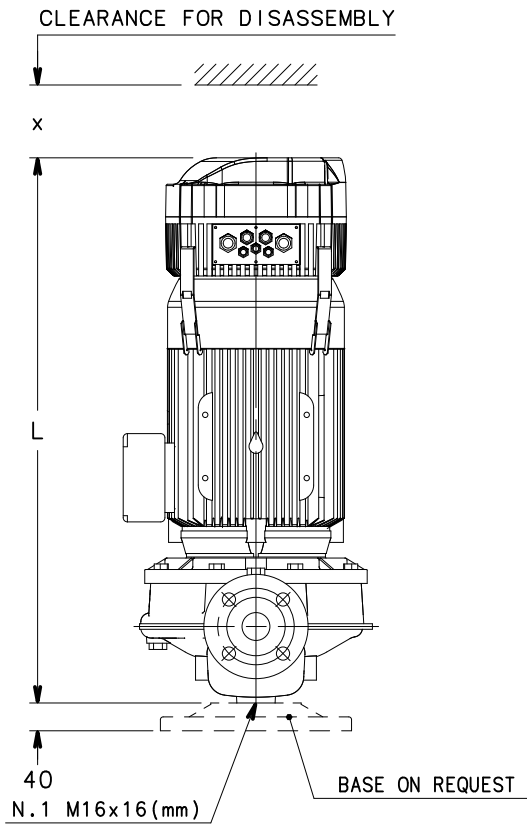
SIZE	kW	VERSION	
		LNEEH	LNESH
40-125/02B	0,25	•	-
40-125/02A	0,25	•	-
40-125/02	0,25	•	-
40-125/03	0,37	•	-
40-160/03	0,37	•	-
40-160/05	0,55	•	•
40-160/07	0,75	•	•
40-200/05	0,55	•	•
40-200/07	0,75	•	•
40-200/11	1,1	•	•
40-250/11	1,1	-	•
40-250/15A	1,5	•	-
40-250/15	1,5	•	•
40-250/22	2,2	•	•
50-125/02A	0,25	•	-
50-125/02	0,25	•	-
50-125/03	0,37	•	-
50-125/05	0,55	•	•
50-160/05	0,55	•	•
50-160/07	0,75	•	•
50-160/11	1,1	•	•
50-200/11A	1,1	•	•
50-200/11	1,1	•	•
50-200/15	1,5	•	•
50-250/15	1,5	•	•
50-250/22A	2,2	•	•
50-250/22	2,2	•	•
50-250/30	3	•	•
65-125/03	0,37	•	-
65-125/05	0,55	•	•
65-125/07	0,75	•	•
65-125/11	1,1	•	•
65-160/11A	1,1	•	•
65-160/11	1,1	•	•
65-160/15	1,5	•	•
65-200/15	1,5	•	•
65-200/22A	2,2	•	•
65-200/22	2,2	•	•
65-250/22	2,2	•	•
65-250/30	3	•	•
65-250/40	4	•	•

SIZE	kW	VERSION	
		LNEEH	LNESH
80-160/11A	1,1	-	•
80-160/15B	1,5	•	-
80-160/11	1,1	-	•
80-160/15A	1,5	•	-
80-160/15	1,5	•	•
80-160/22A	2,2	•	•
80-160/22	2,2	•	•
80-200/22	2,2	-	•
80-200/30	3	-	•
80-200/40	4	-	•
80-250/55A	5,5	-	•
80-250/55	5,5	-	•
80-250/75	7,5	-	•
100-160/15	1,5	•	•
100-160/22A	2,2	•	•
100-160/22	2,2	•	•
100-160/30	3	•	•
100-200/30	3	-	•
100-200/40	4	-	•
100-200/55A	5,5	-	•
100-200/55	5,5	-	•
100-250/55A	5,5	-	•
100-250/55	5,5	-	•
100-250/75	7,5	-	•
100-250/110	11	-	•
125-160/22	2,2	-	•
125-160/30	3	-	•
125-160/40	4	-	•
125-200/55	5,5	-	•
125-200/75	7,5	-	•
125-250/75	7,5	-	•
125-250/110	11	-	•
125-315/150	15	-	•
125-315/185	18,5	-	•
125-315/220	22	-	•
150-200/55	5,5	-	•
150-200/75	7,5	-	•
150-200/110	11	-	•
150-250/110	11	-	•
150-250/150	15	-	•
150-315/185	18,5	-	•
150-315/220	22	-	•

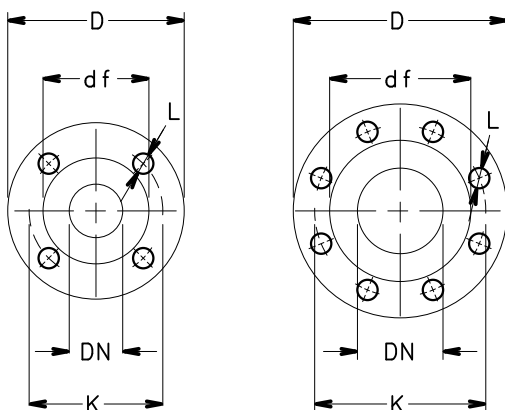
• = Available

LNEH_models-4p50-en_a_sc

LNEEH 40, 50, 65, 80 100 SERIES
DIMENSIONS AND WEIGHTS AT 50 Hz, 2 POLES



- (1) AIR VALVE
- (2) PRESSURE GAUGE CONNECTOR
- (3) DRAIN



FLANGE

EN1092-2, PN 16 *)					
DN	D	K	C	df	L
40	150	110	18	84	4x19
50	165	125	20	99	4x19
65	185	145	20	118	4x19
80	200	160	22	132	8x19
100	230	180	24	157	8x19

*)...VALUE "C" AND "D" MAY VARY FROM STANDARD.

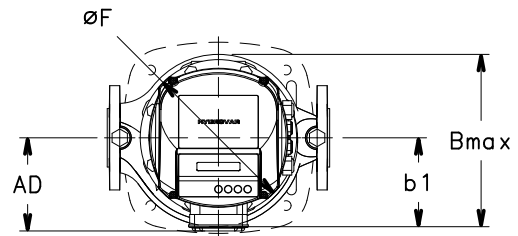
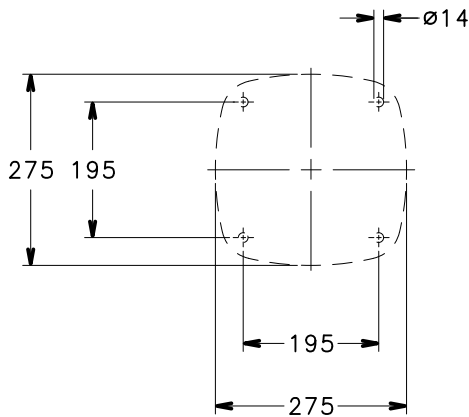
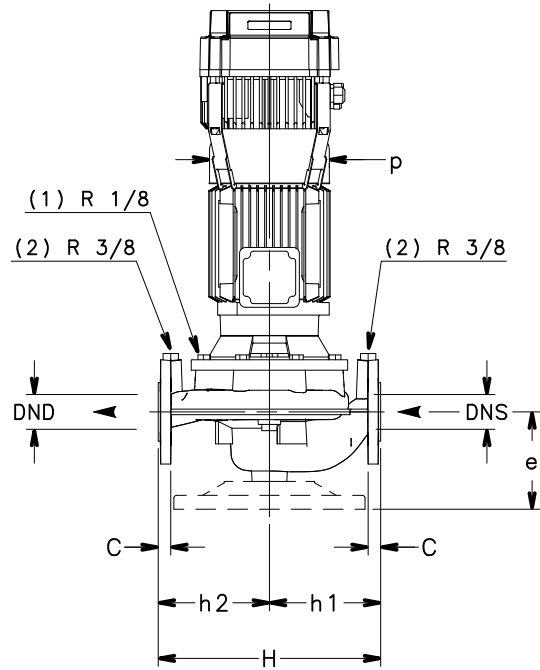
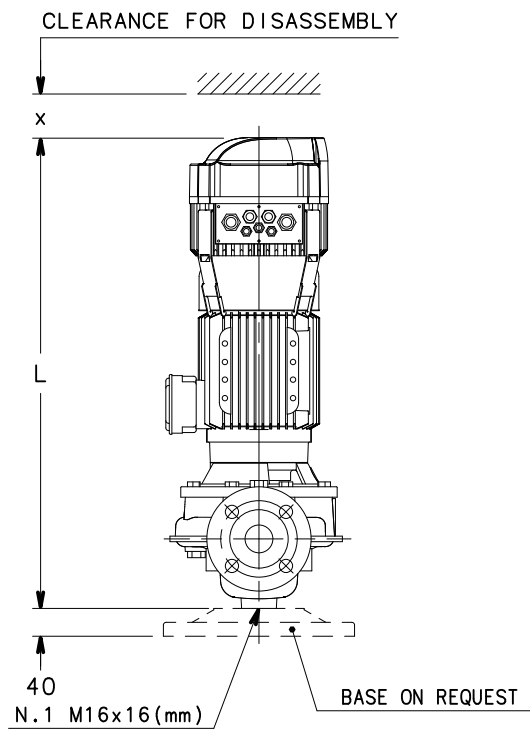
LNEEH 40, 50, 65, 80 100 SERIES DIMENSIONS AND WEIGHTS AT 50 Hz, 2 POLES

PUMP TYPE LNEEH..2	DIMENSIONS (mm)								B max	H	L	x ≥	ØF	WEIGHT kg
	DND	DNS	e	h1	h2	AD	b1	p						
40-125/11/S	40	40	100	160	160	129	128	155	249	320	643	300	225	37,4
40-125/15/S	40	40	100	160	160	129	128	155	249	320	643	300	225	38,4
40-125/22/P	40	40	100	160	160	134	128	174	254	320	678	300	225	45,4
40-125/30/P	40	40	100	160	160	134	128	174	254	320	678	300	225	46,4
40-160/30/P	40	40	100	160	160	134	128	174	254	320	678	300	225	46,4
40-160/40/P	40	40	100	160	160	154	128	197	274	320	699	300	225	51,4
40-160/55/P	40	40	100	160	160	168	128	214	288	320	733	300	286	64,1
40-200/40/P	40	40	110	220	220	154	168	197	336	440	699	300	225	68,4
40-200/55/P	40	40	110	220	220	168	168	214	336	440	733	300	286	81,1
40-200/75/P	40	40	110	220	220	191	168	256	359	440	747	300	286	100,1
40-250/92/P	40	40	110	220	220	191	168	256	359	440	785	300	286	106,1
40-250/110/P	40	40	110	220	220	191	168	256	359	440	785	300	286	109,1
40-250/150/P	40	40	110	220	220	240	168	313	408	440	914	300	404	155
50-125/15/S	50	50	116	180	160	129	128	155	247	340	649	300	225	42,4
50-125/22/P	50	50	116	180	160	134	128	174	252	340	684	300	225	49,4
50-125/30/P	50	50	116	180	160	134	128	174	252	340	684	300	225	50,4
50-125/40/P	50	50	116	180	160	154	128	197	272	340	705	300	225	55,4
50-160/40/P	50	50	116	180	160	154	128	197	272	340	705	300	225	55,4
50-160/55/P	50	50	116	180	160	168	128	214	286	340	739	300	286	68,1
50-160/75/P	50	50	116	180	160	191	128	256	319	340	753	300	286	89,1
50-200/75/P	50	50	111	220	220	191	168	256	359	440	748	300	286	103,1
50-200/92/P	50	50	111	220	220	191	168	256	359	440	786	300	286	109,1
50-200/110/P	50	50	111	220	220	191	168	256	359	440	786	300	286	112,1
50-250/110/P	50	50	111	220	220	191	168	256	359	440	786	300	286	112,1
50-250/150/P	50	50	111	220	220	240	168	313	408	440	915	300	404	158
50-250/185/P	50	50	111	220	220	240	168	313	408	440	915	300	404	169
50-250/220/P	50	50	111	220	220	240	168	313	408	440	915	300	404	178
65-125/30/P	65	65	105	190	170	134	148	174	296	360	698	300	225	62,4
65-125/40/P	65	65	105	190	170	154	148	197	302	360	719	300	225	67,4
65-125/55/P	65	65	105	190	170	168	148	214	316	360	753	300	286	80,1
65-125/75/P	65	65	105	190	170	191	148	256	339	360	767	300	286	99,1
65-160/75/P	65	65	105	190	170	191	148	256	339	360	767	300	286	99,1
65-160/92/P	65	65	105	190	170	191	148	256	339	360	805	300	286	105,1
65-160/110/P	65	65	105	190	170	191	148	256	339	360	805	300	286	108,1
65-200/110/P	65	65	118	237,5	237,5	191	178	256	360	475	793	300	286	116,1
65-200/150/P	65	65	118	237,5	237,5	240	178	313	409	475	922	300	404	162
65-200/185/P	65	65	118	237,5	237,5	240	178	313	409	475	922	300	404	173
65-250/185/P	65	65	118	237,5	237,5	240	178	313	409	475	922	300	404	173
65-250/220/P	65	65	118	237,5	237,5	240	178	313	409	475	922	300	404	182
80-160/75/P	80	80	114	215	205	191	168	256	359	420	766	300	286	111,1
80-160/92/P	80	80	114	215	205	191	168	256	359	420	804	300	286	117,1
80-160/110/P	80	80	114	215	205	191	168	256	359	420	804	300	286	120,1
80-160/150/P	80	80	114	215	205	240	168	313	408	420	933	300	404	166
80-160/185/P	80	80	114	215	205	240	168	313	408	420	933	300	404	177
100-160/110/P	100	100	140	260	240	191	179	256	359	500	835	300	286	130,1
100-160/150/P	100	100	140	260	240	240	179	313	408	500	964	300	404	176
100-160/185/P	100	100	140	260	240	240	179	313	408	500	964	300	404	187
100-160/220/P	100	100	140	260	240	240	179	313	408	500	964	300	404	196

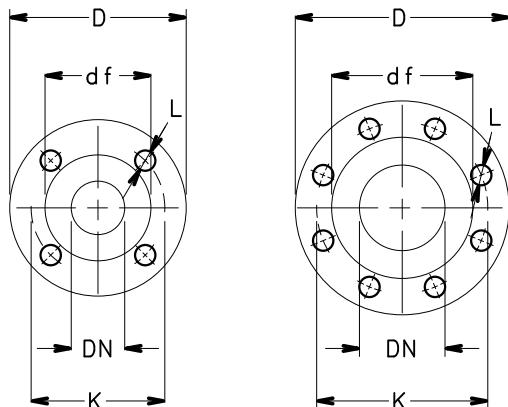
NOTE: Pumps supplied with flanges according to EN 1092-2 as standard. For flanges dimensions see drawing.

LNEEH-40-100_2p50_a_td

**LNEEH 40, 50, 65, 80 100 SERIES
DIMENSIONS AND WEIGHTS AT 50 Hz, 4 POLES**



- (1) AIR VALVE
- (2) PRESSURE GAUGE CONNECTOR
- (3) DRAIN



FLANGE

EN1092-2, PN 16 *)					
DN	D	K	C	df	L
40	150	110	18	84	4x19
50	165	125	20	99	4x19
65	185	145	20	118	4x19
80	200	160	22	132	8x19
100	230	180	24	157	8x19

*)...VALUE "C" AND "D" MAY VARY FROM STANDARD.

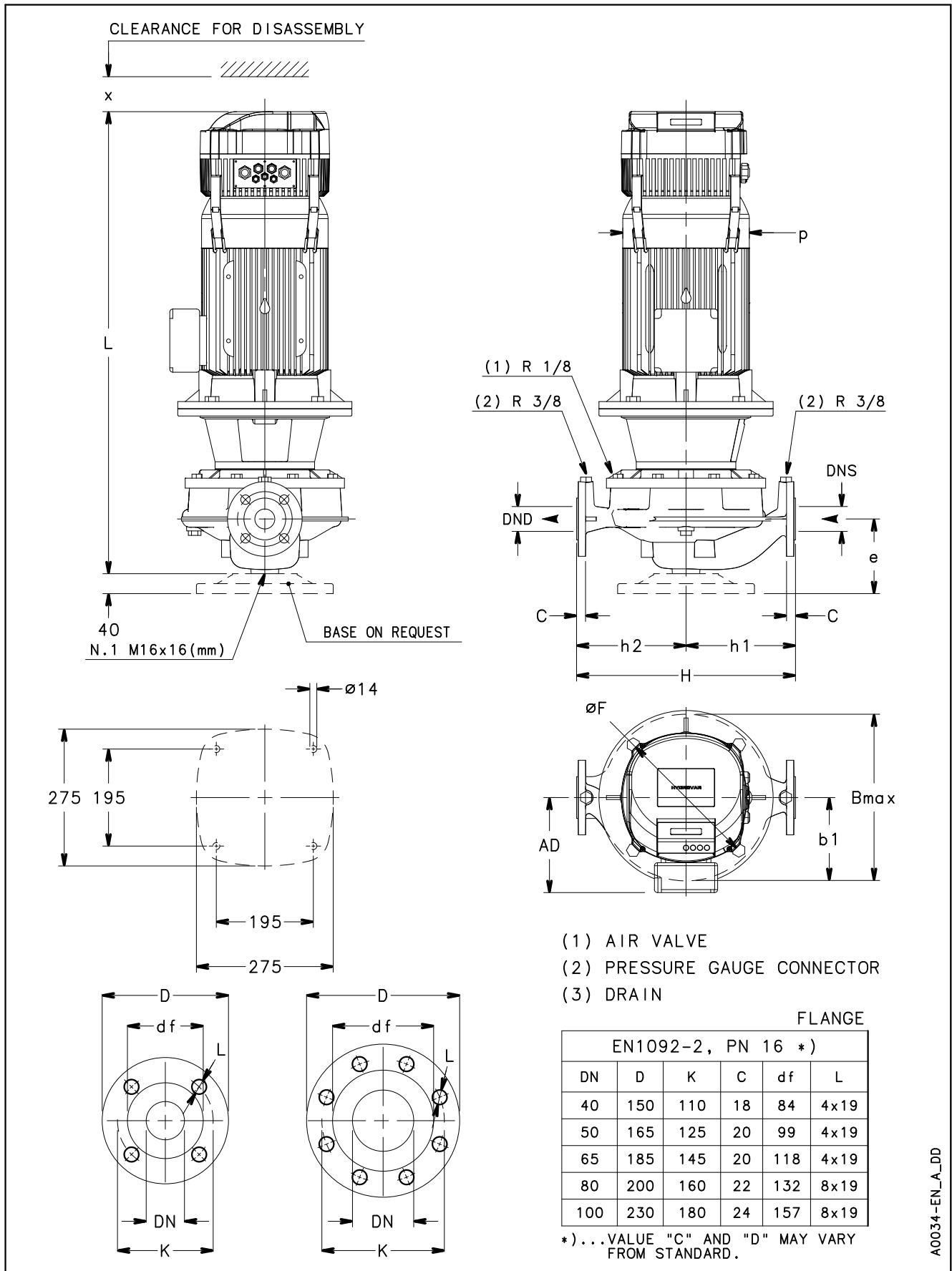
LNEEH 40, 50, 65, 80 100 SERIES DIMENSIONS AND WEIGHTS AT 50 Hz, 4 POLES

PUMP TYPE LNEEH..4	DIMENSIONS (mm)								B max	H	L	x ≥	ØF	WEIGHT kg
	DND	DNS	e	h1	h2	AD	b1	p						
40-125/02B/S	40	40	100	160	160	121	128	140	248	320	611	300	225	31,4
40-125/02A/S	40	40	100	160	160	121	128	140	248	320	611	300	225	31,4
40-125/02/S	40	40	100	160	160	121	128	140	248	320	611	300	225	31,4
40-125/03/S	40	40	100	160	160	121	128	140	248	320	611	300	225	32,4
40-160/03/S	40	40	100	160	160	121	128	140	248	320	611	300	225	32,4
40-160/05/S	40	40	100	160	160	129	128	155	249	320	643	300	225	43,4
40-160/07/X	40	40	100	160	160	128	128	159	248	320	611	300	225	46,4
40-200/05/S	40	40	110	220	220	129	168	155	336	440	643	300	225	51,4
40-200/07/X	40	40	110	220	220	128	168	159	336	440	611	300	225	54,4
40-200/11/P	40	40	110	220	220	134	168	174	336	440	678	300	225	60,4
40-250/15A/P	40	40	110	220	220	134	168	174	336	440	678	300	225	60,4
40-250/15/P	40	40	110	220	220	134	168	174	336	440	678	300	225	64,4
40-250/22/P	40	40	110	220	220	168	168	214	336	440	702	300	225	74,4
50-125/02A/S	50	50	116	180	160	121	128	140	246	340	617	300	225	35,4
50-125/02/S	50	50	116	180	160	121	128	140	246	340	617	300	225	35,4
50-125/03/S	50	50	116	180	160	121	128	140	246	340	617	300	225	36,4
50-125/05/S	50	50	116	180	160	129	128	155	247	340	649	300	225	38,4
50-160/05/S	50	50	116	180	160	129	128	155	247	340	649	300	225	38,4
50-160/07/X	50	50	116	180	160	128	128	159	246	340	617	300	225	41,4
50-160/11/P	50	50	116	180	160	134	128	174	252	340	684	300	225	49,4
50-200/11A/P	50	50	111	220	220	134	168	174	336	440	679	300	225	63,4
50-200/11/P	50	50	111	220	220	134	168	174	336	440	679	300	225	63,4
50-200/15/P	50	50	111	220	220	134	168	174	336	440	679	300	225	67,4
50-250/15/P	50	50	111	220	220	134	168	174	336	440	679	300	225	67,4
50-250/22A/P	50	50	111	220	220	168	168	214	336	440	703	300	225	77,4
50-250/22/P	50	50	111	220	220	168	168	214	336	440	703	300	225	77,4
50-250/30/P	50	50	111	220	220	168	168	214	336	440	734	300	225	81,4
65-125/03/S	65	65	105	190	170	121	148	140	296	360	631	300	225	48,4
65-125/05/S	65	65	105	190	170	129	148	155	296	360	663	300	225	50,4
65-125/07/X	65	65	105	190	170	128	148	159	296	360	631	300	225	53,4
65-125/11/P	65	65	105	190	170	134	148	174	296	360	698	300	225	59,4
65-160/11A/P	65	65	105	190	170	134	148	174	296	360	698	300	225	59,4
65-160/11/P	65	65	105	190	170	134	148	174	296	360	698	300	225	59,4
65-160/15/P	65	65	105	190	170	134	148	174	296	360	698	300	225	63,4
65-200/15/P	65	65	118	237,5	237,5	134	178	174	347	475	686	300	225	71,4
65-200/22A/P	65	65	118	237,5	237,5	168	178	214	347	475	710	300	225	81,4
65-200/22/P	65	65	118	237,5	237,5	168	178	214	347	475	710	300	225	81,4
65-250/22/P	65	65	118	237,5	237,5	168	178	214	347	475	710	300	225	81,4
65-250/30/P	65	65	118	237,5	237,5	168	178	214	347	475	741	300	225	85,4
65-250/40/P	65	65	118	237,5	237,5	168	178	214	347	475	786	300	225	104,4
80-160/15B/P	80	80	114	215	205	134	168	174	336	420	697	300	225	71,4
80-160/15A/P	80	80	114	215	205	134	168	174	336	420	697	300	225	71,4
80-160/15/P	80	80	114	215	205	134	168	174	336	420	697	300	225	71,4
80-160/22A/P	80	80	114	215	205	168	168	214	336	420	721	300	225	82,4
80-160/22/P	80	80	114	215	205	168	168	214	336	420	721	300	225	82,4
100-160/15/P	100	100	140	260	240	134	179	174	347	500	728	300	225	85,4
100-160/22A/P	100	100	140	260	240	168	179	214	347	500	752	300	225	95,4
100-160/22/P	100	100	140	260	240	168	179	214	347	500	752	300	225	95,4
100-160/30/P	100	100	140	260	240	168	179	214	347	500	783	300	225	99,4

NOTE: Pumps supplied with flanges according to EN 1092-2 as standard. For flanges dimensions see drawing.

LNEEH-40-100_4p50-en_a_td

LNESH 40, 50, 65 SERIES
DIMENSIONS AND WEIGHTS AT 50 Hz, 2 POLES



A0034-EN_A_DD

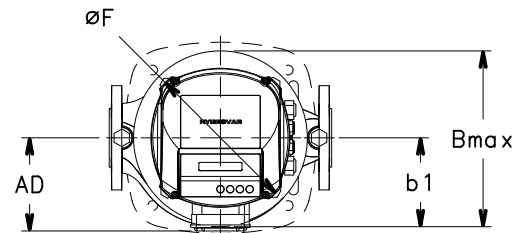
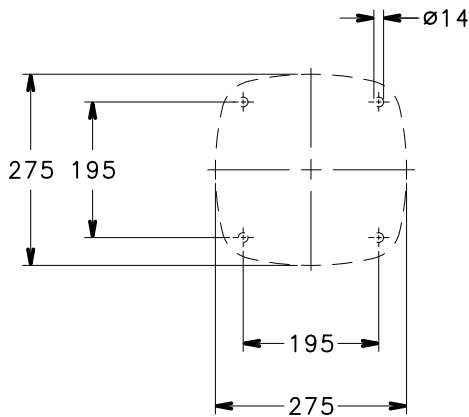
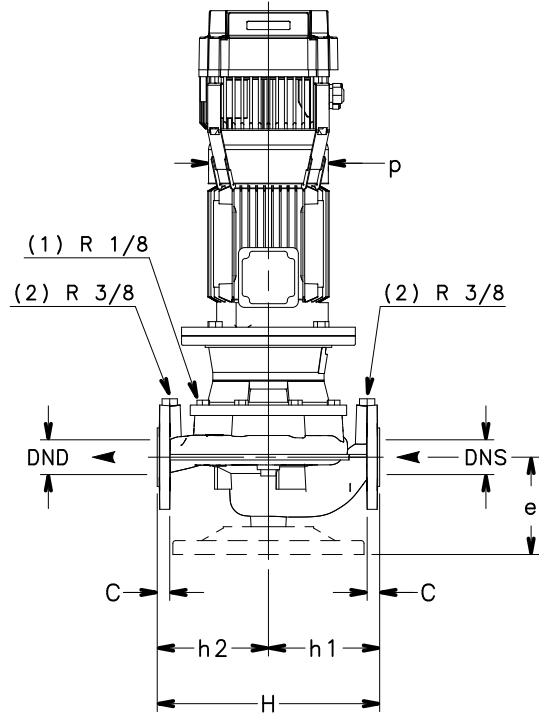
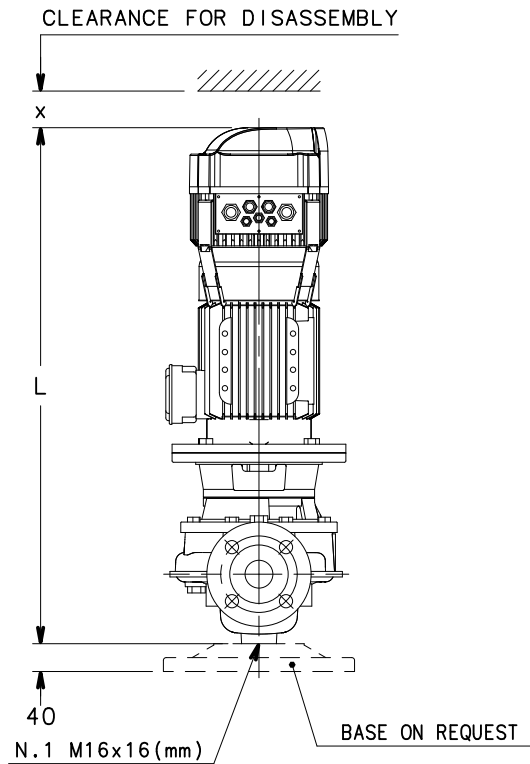
LNESH 40, 50, 65 SERIES DIMENSIONS AND WEIGHTS AT 50 Hz, 2 POLES

PUMP TYPE LNESH..2	DIMENSIONS (mm)										B max	H	L	x ≥	ØF	WEIGHT kg
	DND	DNS	e	f	h1	h2	AD	b1	p							
40-125/11/S	40	40	100	165	160	160	129	128	155	249	320	698	300	225	37,4	
40-125/15/S	40	40	100	165	160	160	129	128	155	249	320	752	300	225	41,4	
40-125/22/P	40	40	100	165	160	160	134	128	174	254	320	733	300	225	48,4	
40-125/30/P	40	40	100	175	160	160	134	128	174	254	320	743	300	225	53,4	
40-160/30/P	40	40	100	175	160	160	134	128	174	254	320	743	300	225	53,4	
40-160/40/P	40	40	100	175	160	160	154	128	197	274	320	764	300	225	56,4	
40-160/55/P	40	40	100	202	160	160	168	128	214	288	320	847	300	286	73,1	
40-200/40/P	40	40	110	165	220	220	154	168	197	336	440	764	300	225	73,4	
40-200/55/P	40	40	110	192	220	220	168	168	214	336	440	847	300	286	90,1	
40-200/75/P	40	40	110	192	220	220	191	168	256	359	440	839	300	286	109,1	
40-250/110A/P	40	40	110	222	220	220	191	168	256	359	440	930	300	286	126,1	
40-250/110/P	40	40	110	222	220	220	191	168	256	359	440	930	300	286	126,1	
40-250/150/P	40	40	110	222	220	220	240	168	313	408	440	1036	300	404	165	
50-125/15/S	50	50	116	155	180	160	129	128	155	247	340	704	300	225	45,4	
50-125/22/P	50	50	116	155	180	160	134	128	174	252	340	739	300	225	52,4	
50-125/30/P	50	50	116	165	180	160	134	128	174	252	340	749	300	225	56,4	
50-125/40/P	50	50	116	165	180	160	154	128	197	272	340	770	300	225	59,4	
50-160/40/P	50	50	116	165	180	160	154	128	197	272	340	770	300	225	59,4	
50-160/55/P	50	50	116	192	180	160	168	128	214	286	340	853	300	286	73,1	
50-160/75/P	50	50	116	192	180	160	191	128	256	319	340	845	300	286	92,1	
50-200/75/P	50	50	111	192	220	220	191	168	256	359	440	840	300	286	112,1	
50-200/110A/P	50	50	111	222	220	220	191	168	256	359	440	931	300	286	129,1	
50-200/110/P	50	50	111	222	220	220	191	168	256	359	440	931	300	286	129,1	
50-250/110/P	50	50	111	222	220	220	191	168	256	359	440	931	300	286	129,1	
50-250/150/P	50	50	111	222	220	220	240	168	313	408	440	1037	300	404	168	
50-250/185/P	50	50	111	222	220	220	240	168	313	408	440	1037	300	404	177	
50-250/220/P	50	50	111	222	220	220	240	168	313	408	440	1037	300	404	188	
65-125/30/P	65	65	105	190	190	170	134	148	174	296	360	763	300	225	64,4	
65-125/40/P	65	65	105	190	190	170	154	148	197	302	360	784	300	225	67,4	
65-125/55/P	65	65	105	217	190	170	168	148	214	316	360	867	300	286	80,1	
65-125/75/P	65	65	105	217	190	170	191	148	256	339	360	859	300	286	103,1	
65-160/75/P	65	65	105	217	190	170	191	148	256	339	360	859	300	286	104,1	
65-160/110A/P	65	65	105	247	190	170	191	148	256	339	360	950	300	286	125,1	
65-160/110/P	65	65	105	247	190	170	191	148	256	339	360	950	300	286	125,1	
65-200/110/P	65	65	118	222	237,5	237,5	191	178	256	360	475	938	300	286	133,1	
65-200/150/P	65	65	118	222	237,5	237,5	240	178	313	409	475	1044	300	404	172	
65-200/185/P	65	65	118	222	237,5	237,5	240	178	313	409	475	1044	300	404	181	
65-250/185/P	65	65	118	222	237,5	237,5	240	178	313	409	475	1044	300	404	181	
65-250/220/P	65	65	118	222	237,5	237,5	240	178	313	409	475	1044	300	404	192	

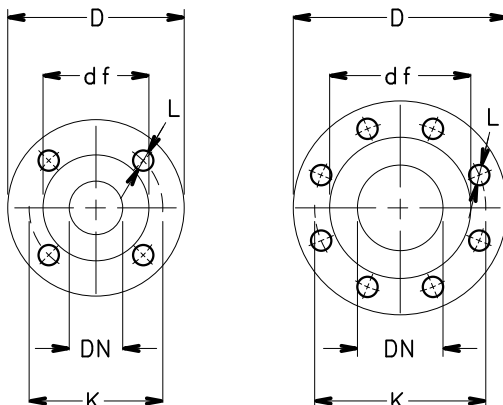
NOTE: Pumps supplied with flanges according to EN 1092-2 as standard. For flanges dimensions see drawing.

LNESH-40-50-65_2p50-en_a_td

**LNESH 40, 50, 65 SERIES
DIMENSIONS AND WEIGHTS AT 50 Hz, 4 POLES**



- (1) AIR VALVE
- (2) PRESSURE GAUGE CONNECTOR
- (3) DRAIN



FLANGE

EN1092-2, PN 16 *)					
DN	D	K	C	df	L
40	150	110	18	84	4x19
50	165	125	20	99	4x19
65	185	145	20	118	4x19
80	200	160	22	132	8x19
100	230	180	24	157	8x19

*)...VALUE "C" AND "D" MAY VARY FROM STANDARD.

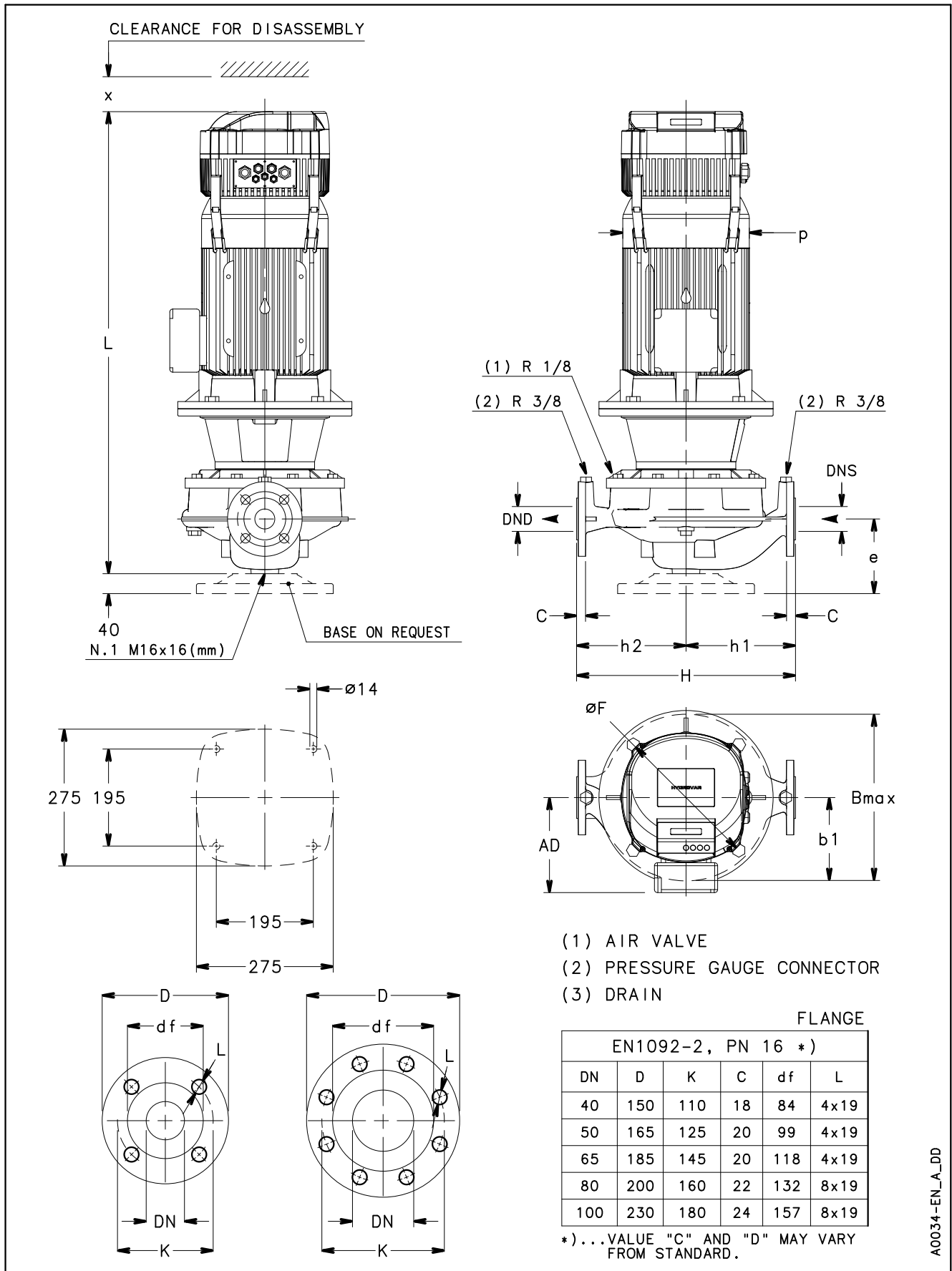
LNESH 40, 50, 65 SERIES DIMENSIONS AND WEIGHTS AT 50 Hz, 4 POLES

PUMP TYPE LNESH..4	DIMENSIONS (mm)										B max	H	L	x ≥	ØF	WEIGHT kg
	DND	DNS	e	f	h1	h2	AD	b1	p							
40-160/05/S	40	40	100	165	160	160	129	128	155	249	320	698	300	225	37,4	
40-160/07/X	40	40	100	165	160	160	128	128	159	248	320	666	300	225	40,4	
40-200/05/S	40	40	110	155	220	220	129	168	155	336	440	698	300	225	54,4	
40-200/07/X	40	40	110	155	220	220	128	168	159	336	440	666	300	225	57,4	
40-200/11/P	40	40	110	155	220	220	134	168	174	336	440	733	300	225	63,4	
40-250/11/P	40	40	110	155	220	220	134	168	174	336	440	733	300	225	63,4	
40-250/15/P	40	40	110	155	220	220	134	168	174	336	440	733	300	225	67,4	
40-250/22/P	40	40	110	165	220	220	168	168	214	336	440	767	300	225	78,4	
50-125/05/S	50	50	116	155	180	160	129	128	155	247	340	704	300	225	41,4	
50-160/05/S	50	50	116	155	180	160	129	128	155	247	340	704	300	225	41,4	
50-160/07/X	50	50	116	155	180	160	128	128	159	246	340	672	300	225	44,4	
50-160/11/P	50	50	116	155	180	160	134	128	174	252	340	739	300	225	50,4	
50-200/11A/P	50	50	111	155	220	220	134	168	174	336	440	734	300	225	66,4	
50-200/11/P	50	50	111	155	220	220	134	168	174	336	440	734	300	225	66,4	
50-200/15/P	50	50	111	155	220	220	134	168	174	336	440	734	300	225	70,4	
50-250/15/P	50	50	111	155	220	220	134	168	174	336	440	734	300	225	70,4	
50-250/22A/P	50	50	111	165	220	220	168	168	214	336	440	768	300	225	81,4	
50-250/22/P	50	50	111	165	220	220	168	168	214	336	440	768	300	225	81,4	
50-250/30/P	50	50	111	165	220	220	168	168	214	336	440	799	300	225	85,4	
65-125/05/S	65	65	105	180	190	170	129	148	155	296	360	718	300	225	53,4	
65-125/07/X	65	65	105	180	190	170	128	148	159	296	360	686	300	225	56,4	
65-125/11/P	65	65	105	180	190	170	134	148	174	296	360	753	300	225	62,4	
65-160/11A/P	65	65	105	180	190	170	134	148	174	296	360	753	300	225	62,4	
65-160/11/P	65	65	105	180	190	170	134	148	174	296	360	753	300	225	62,4	
65-160/15/P	65	65	105	180	190	170	134	148	174	296	360	753	300	225	66,4	
65-200/15/P	65	65	118	155	237,5	237,5	134	178	174	347	475	741	300	225	74,4	
65-200/22A/P	65	65	118	165	237,5	237,5	168	178	214	347	475	775	300	225	85,4	
65-200/22/P	65	65	118	165	237,5	237,5	168	178	214	347	475	775	300	225	85,4	
65-250/22/P	65	65	118	165	237,5	237,5	168	178	214	347	475	775	300	225	85,4	
65-250/30/P	65	65	118	165	237,5	237,5	168	178	214	347	475	806	300	225	89,4	
65-250/40/P	65	65	118	165	237,5	237,5	168	178	214	347	475	851	300	225	108,4	

NOTE: Pumps supplied with flanges according to EN 1092-2 as standard. For flanges dimensions see drawing.

LNESH-40-50-65_4p50-en_b_td

LNESH 80, 100 SERIES
DIMENSIONS AND WEIGHTS AT 50 Hz, 2 POLES



A0034-EN_A_DD

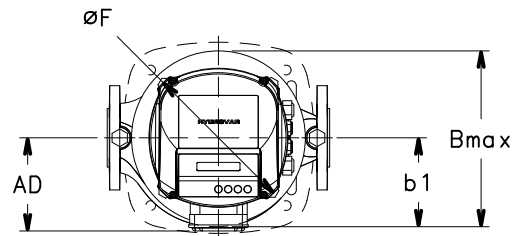
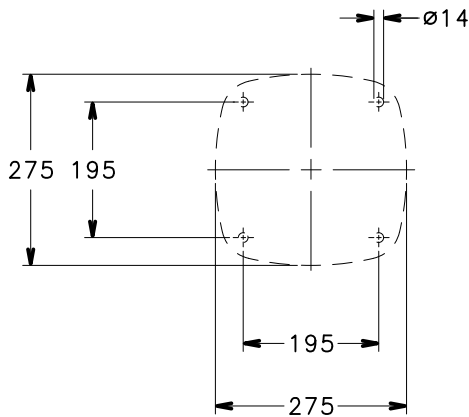
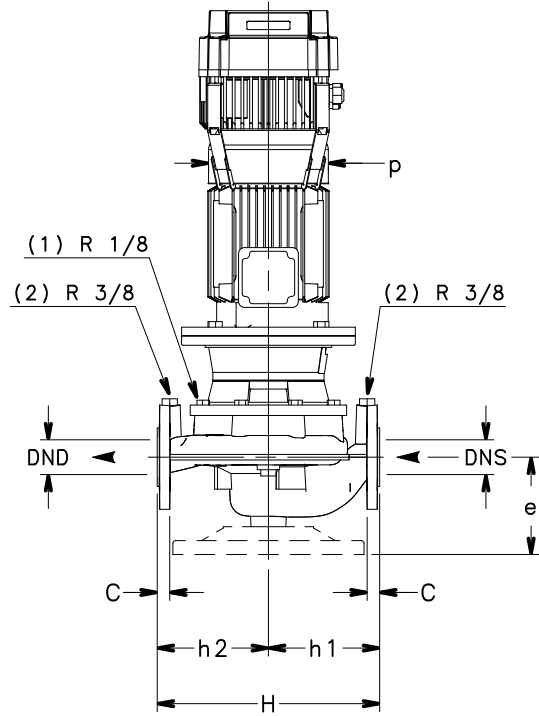
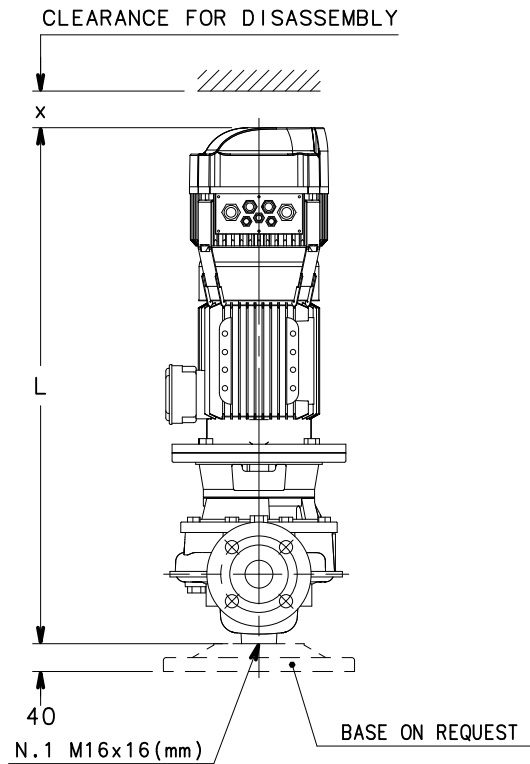
LNESH 80, 100 SERIES DIMENSIONS AND WEIGHTS AT 50 Hz, 2 POLES

PUMP TYPE LNESH..2	DIMENSIONS (mm)									B max	H	L	x ≥	ØF	WEIGHT kg
	DND	DNS	e	f	h1	h2	AD	b1	p						
80-160/75/P	80	80	114	207	215	205	191	168	256	359	420	858	300	286	116,1
80-160/110A/P	80	80	114	237	215	205	191	168	256	359	420	949	300	286	137,1
80-160/110/P	80	80	114	237	215	205	191	168	256	359	420	949	300	286	137,1
80-160/150/P	80	80	114	237	215	205	240	168	313	408	420	1055	300	404	176
80-160/185/P	80	80	114	237	215	205	240	168	313	408	420	1055	300	404	185
80-200/185/P	80	80	132	240	265	235	240	185	313	408	500	1076	300	404	183
80-200/220/P	80	80	132	240	265	235	240	185	313	408	500	1076	300	404	194
80-250/220/P	80	80	132	240	265	235	240	185	313	408	500	1076	300	404	194
100-160/110/P	100	100	140	240	260	240	191	179	256	359	500	980	300	286	147,1
100-160/150/P	100	100	140	240	260	240	240	179	313	408	500	1086	300	404	186
100-160/185/P	100	100	140	240	260	240	240	179	313	408	500	1086	300	404	195
100-160/220/P	100	100	140	240	260	240	240	179	313	408	500	1086	300	404	206
100-200/220/P	100	100	175	240	300	250	240	201	313	410	550	1119	300	404	210

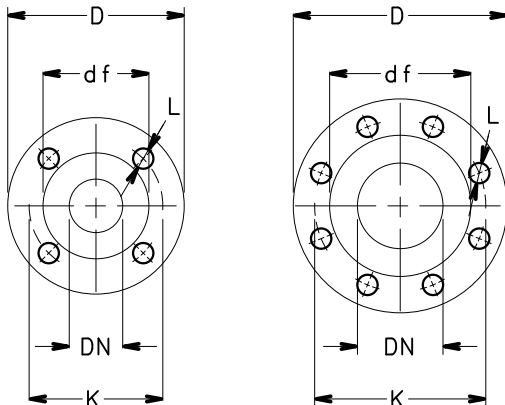
NOTE: Pumps supplied with flanges according to EN 1092-2 as standard. For flanges dimensions see drawing.

LNESH-80-100_2p50-en_a_td

LNESH 80, 100 SERIES
DIMENSIONS AND WEIGHTS AT 50 Hz, 4 POLES



- (1) AIR VALVE
- (2) PRESSURE GAUGE CONNECTOR
- (3) DRAIN



FLANGE
EN1092-2, PN 16 *)

DN	D	K	C	df	L
40	150	110	18	84	4x19
50	165	125	20	99	4x19
65	185	145	20	118	4x19
80	200	160	22	132	8x19
100	230	180	24	157	8x19

*) ...VALUE "C" AND "D" MAY VARY FROM STANDARD.

LNESH 80, 100 SERIES DIMENSIONS AND WEIGHTS AT 50 Hz, 4 POLES

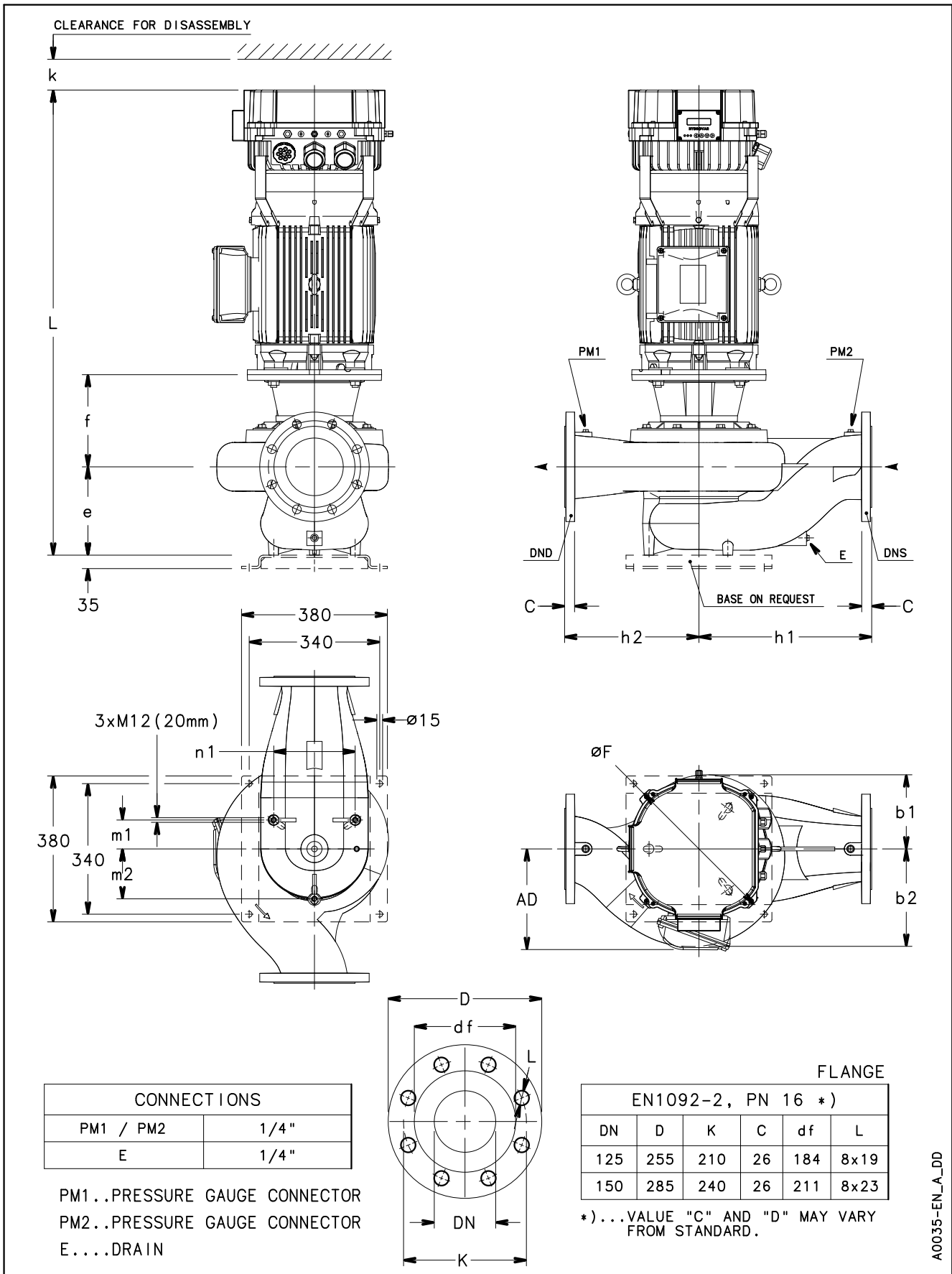
PUMP TYPE LNESH..4	DIMENSIONS (mm)										B max	H	L	x ≥	ØF	WEIGHT kg
	DND	DNS	e	f	h1	h2	AD	b1	p							
80-160/11A/P	80	80	114	170	215	205	134	168	174	336	420	752	300	225	72,4	
80-160/11/P	80	80	114	170	215	205	134	168	174	336	420	752	300	225	72,4	
80-160/15/P	80	80	114	170	215	205	134	168	174	336	420	752	300	225	76,4	
80-160/22A/P	80	80	114	170	215	205	168	168	214	336	420	786	300	225	89,4	
80-160/22/P	80	80	114	180	215	205	168	168	214	336	420	786	300	225	89,4	
80-200/22/P	80	80	132	183	265	235	168	185	214	353	500	807	300	225	87,4	
80-200/30/P	80	80	132	183	265	235	168	185	214	353	500	838	300	225	91,4	
80-200/40/P	80	80	132	183	265	235	168	185	214	353	500	883	300	225	110,4	
80-250/55A/P	80	80	132	210	265	235	191	185	256	359	500	917	300	286	125,1	
80-250/55/P	80	80	132	210	265	235	191	185	256	359	500	917	300	286	125,1	
80-250/75/P	80	80	132	210	265	235	191	185	256	359	500	917	300	286	129,1	
100-160/15/P	100	100	140	175	260	240	134	179	174	347	500	783	300	225	88,4	
100-160/22A/P	100	100	140	185	260	240	168	179	214	347	500	817	300	225	99,4	
100-160/22/P	100	100	140	185	260	240	168	179	214	347	500	817	300	225	99,4	
100-160/30/P	100	100	140	185	260	240	168	179	214	347	500	848	300	225	103,4	
100-200/30/P	100	100	175	183	300	250	134	201	174	371	550	881	300	225	107,4	
100-200/40/P	100	100	175	183	300	250	168	201	214	371	550	926	300	225	126,4	
100-200/55A/P	100	100	175	210	300	250	168	201	214	371	550	960	300	286	141,1	
100-200/55/P	100	100	175	210	300	250	168	201	214	371	550	960	300	286	141,1	
100-250/55A/P	100	100	175	210	300	250	191	201	256	371	550	960	300	286	141,1	
100-250/55/P	100	100	175	210	300	250	191	201	256	371	550	960	300	286	141,1	
100-250/75/P	100	100	175	210	300	250	191	201	256	371	550	960	300	286	145,1	
100-250/110/P	100	100	175	240	300	250	240	201	313	410	550	1079	300	286	209,1	

NOTE: Pumps supplied with flanges according to EN 1092-2 as standard. For flanges dimensions see drawing.

LNESH-80-100_4p50-en_b_td

LNESH 125, 150 SERIES

DIMENSIONS AND WEIGHTS AT 50 Hz, 4 POLES



A0035-EN_A_DD

LNESH 125, 150 SERIES DIMENSIONS AND WEIGHTS AT 50 Hz, 4 POLES

PUMP TYPE LNESH..4	DIMENSIONI (mm)															WEIGHT (kg)
	DND	DNS	e	f	h1	h2	m1	m2	n1	b1	b2	x	AD	L	ØF	G
125-160/22/P	125	125	215	183	340	280	60	105	172	166	212	140	168	890	225	116,4
125-160/30/P	125	125	215	183	340	280	60	105	172	166	212	140	168	921	225	122,4
125-160/40/P	125	125	215	183	340	280	60	105	172	166	212	140	168	966	225	144,4
125-200/55/P	125	125	215	210	340	280	60	105	172	166	212	140	191	1000	286	158,1
125-200/75/P	125	125	215	210	340	280	60	105	172	166	212	140	191	1000	286	162,1
125-250/75/P	125	125	230	215	450	350	63	110	180	223	275	140	191	1020	286	197,1
125-250/110/P	125	125	230	245	450	350	63	110	180	223	275	140	240	1139	286	227,1
125-315/150/P	125	125	230	245	450	350	63	110	180	223	275	140	240	1179	404	292
125-315/185/W	125	125	230	245	450	350	63	110	180	223	275	140	279	1239	404	343
125-315/220/W	125	125	230	245	450	350	63	110	180	223	275	140	279	1277	404	361
150-200/55/P	150	150	230	225	450	350	75	130	212	182	253	140	191	1030	286	191,1
150-200/75/P	150	150	230	225	450	350	75	130	212	182	253	140	191	1030	286	195,1
150-200/110/P	150	150	230	255	450	350	75	130	212	182	253	140	240	1149	286	225,1
150-250/110/P	150	150	230	240	450	350	75	130	212	193	255	140	240	1134	286	231,1
150-250/150/P	150	150	230	240	450	350	75	130	212	193	255	140	240	1174	404	279
150-315/185/W	150	150	230	254	450	350	78	135	222	215	257	140	279	1248	404	349
150-315/220/W	150	150	230	254	450	350	78	135	222	215	257	140	279	1286	404	367

NOTE: Pumps supplied with flanges according to EN 1092-2 as standard. For flanges dimensions see drawing.

LNESH-4p50-en_b_td

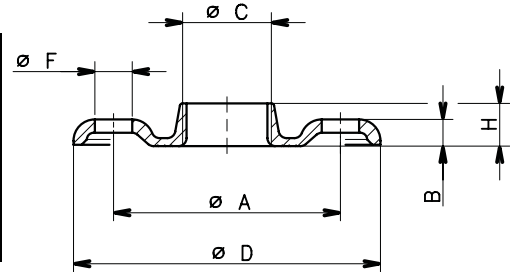
ACCESSORIES

LNE SERIES

ROUND THREADED COUNTERFLANGES KIT ACCORDING TO EN 1092-1

DN	CODE		ø C	DIMENSIONS (mm)				HOLES		PN
	KIT			ø A	B	ø D	H	ø F	N°	
40	109398020		Rp 1½	110	14	150	19	18	4	16
50	109398030		Rp 2	125	16	165	24	18	4	16
65	109392710		Rp 2½	145	16	185	23	18	4	16
80	109392720		Rp 3	160	17	200	27	18	8	16
100	109392730		Rp 4	180	18	220	31	18	8	16

Lne-Lnt-ctf-tonde-f-en_a_td



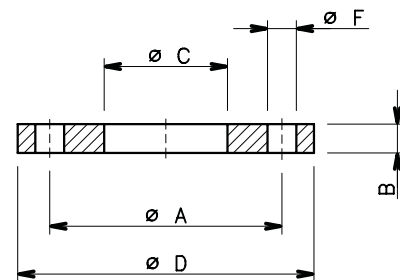
04430_B_DD

LNE SERIES

ROUND WELD COUNTERFLANGES KIT ACCORDING TO EN 1092-1

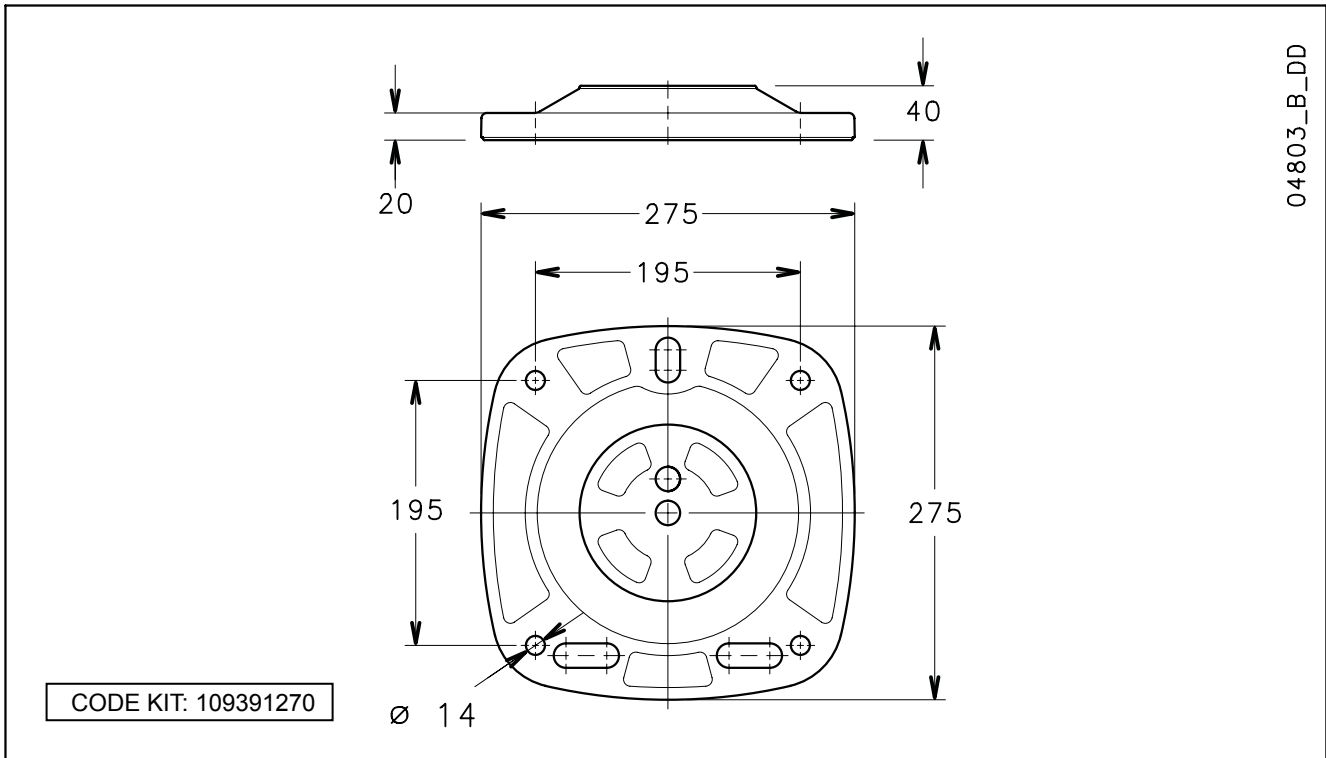
DN	CODE		ø C	DIMENSIONS (mm)				HOLES		PN
	KIT			ø A	B	ø D	ø F	N°		
40	109390662		49,5	110	18	150	18	4	16	
50	109390692		61,5	125	20	165	18	4	16	
65	109390732		77,5	145	20	185	18	4	16	
80	109390762		90,5	160	20	200	18	8	16	
100	109390772		116	180	22	220	18	8	16	
125	707941320		141,5	210	22	250	18	8	16	
150	707941330		170,5	240	24	285	22	8	16	

Lne-Lnt-ctf-tonde-s-en_a_td

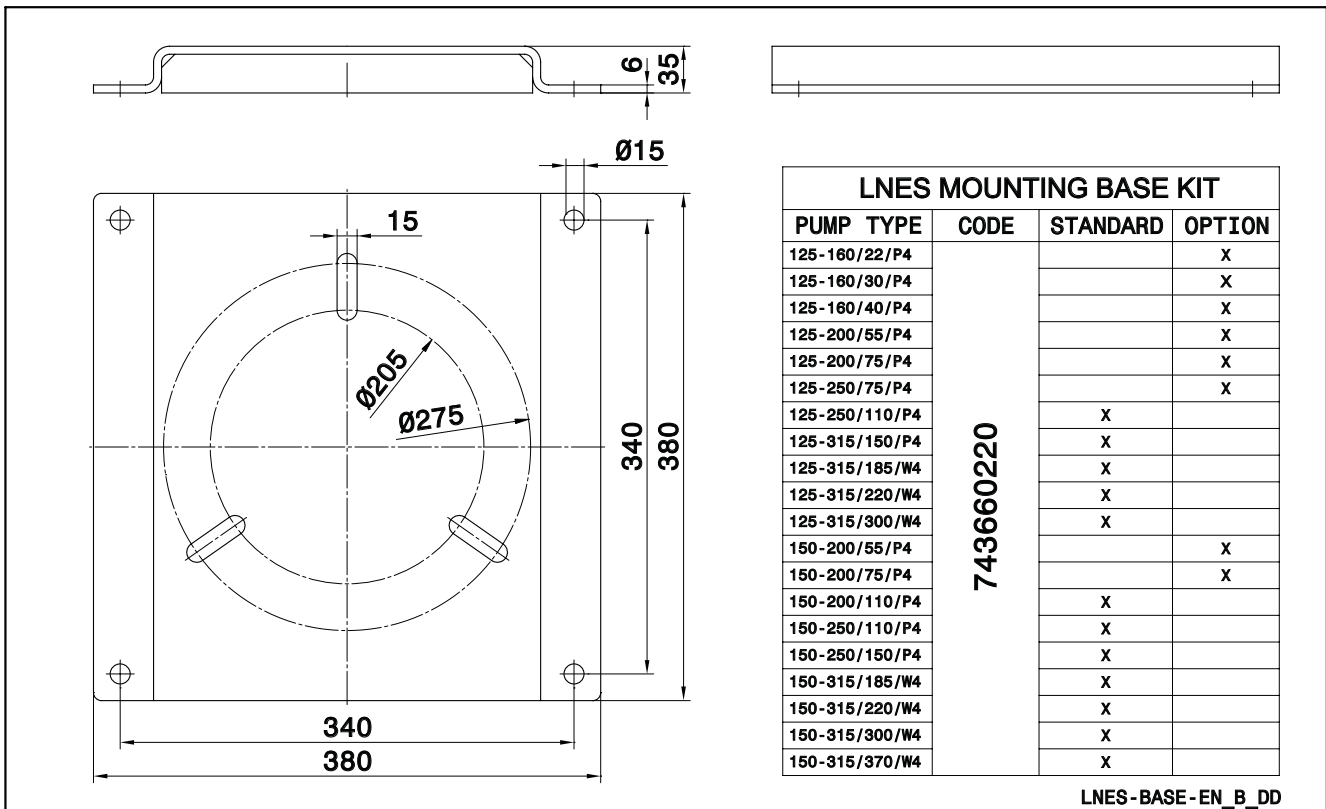


04431_A_DD

**LNE 40, 50, 65, 80, 100 SERIES
MOUNTING BASE KIT**

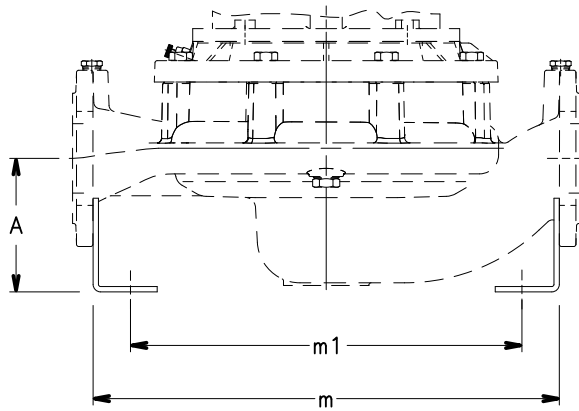


**LNE 125, 150 SERIES
MOUNTING BASE KIT**

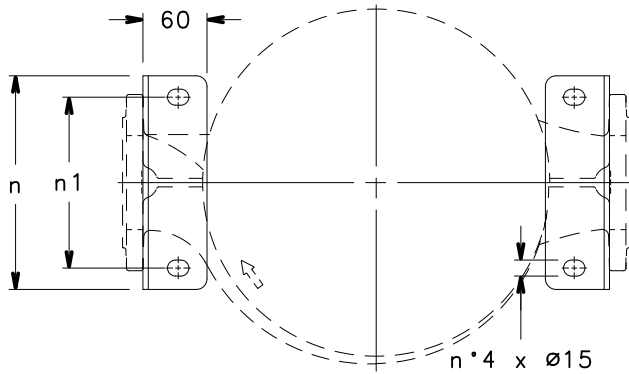
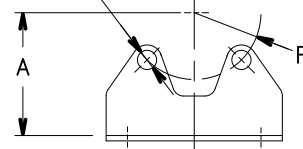


LNE 40, 50, 65, 80, 100 SERIES BRACKETS KIT

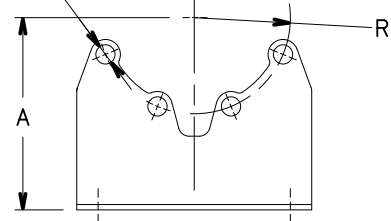
04855-EN_B_DD



n*2 a 90° x ø18 SHAPE A



n*4 a 45° x ø18 SHAPE B



CODE KIT	PUMP TYPE		SHAPE	DIMENSIONS (mm)				
	2-POLE	4-POLE		A	m	m1	n	n1
109398650	LNEE 40-125 / LNEE 40-160	LNEE 40-125 / LNEE 40-160	A	115	284	210	150	110
	LNES 40-125 / LNES 40-160							
109398650	LNEE 40-200 / LNEE 40-250	LNEE 40-200 / LNEE 40-250	A	115	404	330	150	110
	LNES 40-200 / LNES 40-250	LNES 40-200 / LNES 40-250						
109398660	LNEE 50-125 / LNEE 50-160	LNEE 50-125 / LNEE 50-160	A	120	300	230	165	125
	LNES 50-125 / LNES 50-160							
109398660	LNEE 50-200 / LNEE 50-250	LNEE 50-200 / LNEE 50-250	A	120	400	330	165	125
	LNES 50-200 / LNES 50-250	LNES 50-200 / LNES 50-250						
109398670	LNEE 65-125 / LNEE 65-160	LNEE 65-125 / LNEE 65-160	A	125	320	250	185	145
	LNES 65-125 / LNES 65-160	LNES 65-160						
109398670	LNEE 65-200 / LNEE 65-250	LNEE 65-200 / LNEE 65-250	A	125	435	365	185	145
	LNES 65-200 / LNES 65-250	LNES 65-200 / LNES 65-250						
109398680	LNEE 80-125 / LNEE 80-160	LNEE 80-125	B	135	376	310	200	160
	LNES 80-125 / LNES 80-160	LNEE 80-125						
109398680	LNEE 80-200	LNEE 80-200 / LNEE 80-250	B	135	456	390	200	160
	LNES 80-200	LNES 80-200 / LNES 80-250						
109398690	LNEE 100-160	LNEE 100-160	B	180	452	380	220	180
	LNES 100-160	LNES 100-160						
109398690	LNEE 100-200	LNEE 100-200 / LNEE 100-250	B	180	502	430	220	180
	LNES 100-200	LNES 100-200 / LNES 100-250						

LNE_staffe-en_a_td

REPORTS AND DECLARATIONS

REPORTS AND DECLARATIONS

i) Test reports

- a) **Factory Test Report** (Lowara identity code: 1A)
(not available for all pump types; contact Customer Service in advance)
- Test report compiled at the end of the assembly line, including flow-head performance test (ISO 9906:2012 – Grade 3B) and tightness test.
- b) **Audit Test Report** (Lowara identity code: 1B)
- Test report for electric pumps compiled in the test room, comprising flow-head-pump input-pump efficiency performance test (ISO 9906:2012 – Grade 3B)
- c) **NPSH Test Report** (Lowara identity code: 1A / CTF-NP)
(unavailable for submerged or submergible pumps)
- Test report for electric pumps compiled in the test room, comprising flow-NPSH performance test (ISO 9906:2012 – Grade 3B)
- d) **Noise Test Report** (Lowara identity code: 1A / CTF-RM)
(unavailable for submerged pumps)
- Report indicating sound pressure and power measurements (EN ISO 20361, EN ISO 11203, EN ISO 4871) using the
• intensimetric (EN ISO 9614-1, EN ISO 9614-2), or
• phonometric method.
- e) **Vibration Test Report**
(unavailable for submerged or submergible pumps)
- Report indicating vibration measurements (ISO 10816-1)

ii) Declaration of product conformity with the technical requirements indicated in the order

- a) **EN 10204:2004 - type 2.1** (Lowara identity code: CTF-21)
- does not include test results on supplied or similar products.
- b) **EN 10204:2004 - type 2.2** (Lowara identity code: CTF-22)
- includes test results (materials certificates) on similar products.
- c) **EN 10204:2004 - type 3.1** (Lowara identity code: 1A / CTF-31 or 1B / CTF-31)
- includes test report (*Factory Test Report* or *Audit Test Report*), list of materials, EC Declaration of Conformity (in addition to the one accompanying the product), certificates / declarations concerning materials in contact with water.

iii) Issue of a further EC Declaration of Conformity,

- in addition to the one accompanying the product, it comprises references to European law and the main technical standards (e.g.: MD 2006/42/EC, EMCD 2004/108/EC, ErP 2009/125/EC).

N.B.: if the request is made after receipt of the product, communicate the code (name) and serial number (date + progressive number).

iv) Manufacturer's declaration of conformity

- relative to one of more types of products without indicating specific codes and serial numbers.

v) Other certificates and/or documentation on request

- subject to availability or feasibility.

vi) Duplication of certificates and/or documentation on request

- subject to availability or feasibility.

TECHNICAL APPENDIX

NPSH

The minimum operating values that can be reached at the pump suction end are limited by the onset of cavitation.

Cavitation is the formation of vapour-filled cavities within liquids where the pressure is locally reduced to a critical value, or where the local pressure is equal to, or just below the vapour pressure of the liquid.

The vapour-filled cavities flow with the current and when they reach a higher pressure area the vapour contained in the cavities condenses. The cavities collide, generating pressure waves that are transmitted to the walls. These, being subjected to stress cycles, gradually become deformed and yield due to fatigue. This phenomenon, characterized by a metallic noise produced by the hammering on the pipe walls, is called incipient cavitation.

The damage caused by cavitation may be magnified by electrochemical corrosion and a local rise in temperature due to the plastic deformation of the walls. The materials that offer the highest resistance to heat and corrosion are alloy steels, especially austenitic steel. The conditions that trigger cavitation may be assessed by calculating the total net suction head, referred to in technical literature with the acronym NPSH (Net Positive Suction Head).

The NPSH represents the total energy (expressed in m.) of the liquid measured at suction under conditions of incipient cavitation, excluding the vapour pressure (expressed in m.) that the liquid has at the pump inlet.

To find the static height h_z at which to install the machine under safe conditions, the following formula must be verified:

$$h_p + h_z \geq (NPSH_r + 0.5) + h_f + h_{pv} \quad \textcircled{1}$$

where:

h_p is the absolute pressure applied to the free liquid surface in the suction tank, expressed in m. of liquid; h_p is the quotient between the barometric pressure and the specific weight of the liquid.

h_z is the suction lift between the pump axis and the free liquid surface in the suction tank, expressed in m.; h_z is negative when the liquid level is lower than the pump axis.

h_f is the flow resistance in the suction line and its accessories, such as: fittings, foot valve, gate valve, elbows, etc.

h_{pv} is the vapour pressure of the liquid at the operating temperature, expressed in m. of liquid. h_{pv} is the quotient between the P_v vapour pressure and the liquid's specific weight.

0,5 is the safety factor.

The maximum possible suction head for installation depends on the value of the atmospheric pressure (i.e. the elevation above sea level at which the pump is installed) and the temperature of the liquid.

To help the user, with reference to water temperature (4° C) and to the elevation above sea level, the following tables show the drop in hydraulic pressure head in relation to the elevation above sea level, and the suction loss in relation to temperature.

Water temperature (°C)	20	40	60	80	90	110	120
Suction loss (m)	0,2	0,7	2,0	5,0	7,4	15,4	21,5

Elevation above sea level (m)	500	1000	1500	2000	2500	3000
Suction loss (m)	0,55	1,1	1,65	2,2	2,75	3,3

Friction loss is shown in the tables at pages 120-121 of this catalogue. To reduce it to a minimum, especially in cases of high suction head (over 4-5 m.) or within the operating limits with high flow rates, we recommend using a suction line having a larger diameter than that of the pump's suction port. It is always a good idea to position the pump as close as possible to the liquid to be pumped.

Make the following calculation:

Liquid: water at ~15°C $\gamma = 1 \text{ kg/dm}^3$

Flow rate required: 25 m³/h

Head for required delivery: 70 m.

Suction lift: 3,5 m.

The selection is an 33SV3G075T pump whose NPSH required value is, at 25 m³/h, of 2 m.

For water at 15 °C

$$h_p = P_a / \gamma = 10,33\text{m}, h_{pv} = P_v / \gamma = 0,174\text{m} (0,01701 \text{ bar})$$

The H_f flow resistance in the suction line with foot valves is ~ 1,2 m.

By substituting the parameters in formula $\textcircled{1}$ with the numeric values above, we have:

$$10,33 + (-3,5) \geq (2 + 0,5) + 1,2 + 0,17$$

from which we have: 6,8 > 3,9

The relation is therefore verified.

VAPOUR PRESSURE

VAPOUR PRESSURE p_s AND ρ DENSITY OF WATER TABLE

t °C	T K	p_s bar	ρ kg/dm ³	t °C	T K	p_s bar	ρ kg/dm ³	t °C	T K	p_s bar	ρ kg/dm ³
0	273,15	0,00611	0,9998	55	328,15	0,15741	0,9857	120	393,15	1,9854	0,9429
1	274,15	0,00657	0,9999	56	329,15	0,16511	0,9852	122	395,15	2,1145	0,9412
2	275,15	0,00706	0,9999	57	330,15	0,17313	0,9846	124	397,15	2,2504	0,9396
3	276,15	0,00758	0,9999	58	331,15	0,18147	0,9842	126	399,15	2,3933	0,9379
4	277,15	0,00813	1,0000	59	332,15	0,19016	0,9837	128	401,15	2,5435	0,9362
5	278,15	0,00872	1,0000	60	333,15	0,1992	0,9832	130	403,15	2,7013	0,9346
6	279,15	0,00935	1,0000	61	334,15	0,2086	0,9826	132	405,15	2,867	0,9328
7	280,15	0,01001	0,9999	62	335,15	0,2184	0,9821	134	407,15	3,041	0,9311
8	281,15	0,01072	0,9999	63	336,15	0,2286	0,9816	136	409,15	3,223	0,9294
9	282,15	0,01147	0,9998	64	337,15	0,2391	0,9811	138	411,15	3,414	0,9276
10	283,15	0,01227	0,9997	65	338,15	0,2501	0,9805	140	413,15	3,614	0,9258
11	284,15	0,01312	0,9997	66	339,15	0,2615	0,9799	145	418,15	4,155	0,9214
12	285,15	0,01401	0,9996	67	340,15	0,2733	0,9793	155	428,15	5,433	0,9121
13	286,15	0,01497	0,9994	68	341,15	0,2856	0,9788	160	433,15	6,181	0,9073
14	287,15	0,01597	0,9993	69	342,15	0,2984	0,9782	165	438,15	7,008	0,9024
15	288,15	0,01704	0,9992	70	343,15	0,3116	0,9777	170	443,15	7,920	0,8973
16	289,15	0,01817	0,9990	71	344,15	0,3253	0,9770	175	448,15	8,924	0,8921
17	290,15	0,01936	0,9988	72	345,15	0,3396	0,9765	180	453,15	10,027	0,8869
18	291,15	0,02062	0,9987	73	346,15	0,3543	0,9760	185	458,15	11,233	0,8815
19	292,15	0,02196	0,9985	74	347,15	0,3696	0,9753	190	463,15	12,551	0,8760
20	293,15	0,02337	0,9983	75	348,15	0,3855	0,9748	195	468,15	13,987	0,8704
21	294,15	0,24850	0,9981	76	349,15	0,4019	0,9741	200	473,15	15,550	0,8647
22	295,15	0,02642	0,9978	77	350,15	0,4189	0,9735	205	478,15	17,243	0,8588
23	296,15	0,02808	0,9976	78	351,15	0,4365	0,9729	210	483,15	19,077	0,8528
24	297,15	0,02982	0,9974	79	352,15	0,4547	0,9723	215	488,15	21,060	0,8467
25	298,15	0,03166	0,9971	80	353,15	0,4736	0,9716	220	493,15	23,198	0,8403
26	299,15	0,03360	0,9968	81	354,15	0,4931	0,9710	225	498,15	25,501	0,8339
27	300,15	0,03564	0,9966	82	355,15	0,5133	0,9704	230	503,15	27,976	0,8273
28	301,15	0,03778	0,9963	83	356,15	0,5342	0,9697	235	508,15	30,632	0,8205
29	302,15	0,04004	0,9960	84	357,15	0,5557	0,9691	240	513,15	33,478	0,8136
30	303,15	0,04241	0,9957	85	358,15	0,5780	0,9684	245	518,15	36,523	0,8065
31	304,15	0,04491	0,9954	86	359,15	0,6011	0,9678	250	523,15	39,776	0,7992
32	305,15	0,04753	0,9951	87	360,15	0,6249	0,9671	255	528,15	43,246	0,7916
33	306,15	0,05029	0,9947	88	361,15	0,6495	0,9665	260	533,15	46,943	0,7839
34	307,15	0,05318	0,9944	89	362,15	0,6749	0,9658	265	538,15	50,877	0,7759
35	308,15	0,05622	0,9940	90	363,15	0,7011	0,9652	270	543,15	55,058	0,7678
36	309,15	0,05940	0,9937	91	364,15	0,7281	0,9644	275	548,15	59,496	0,7593
37	310,15	0,06274	0,9933	92	365,15	0,7561	0,9638	280	553,15	64,202	0,7505
38	311,15	0,06624	0,9930	93	366,15	0,7849	0,9630	285	558,15	69,186	0,7415
39	312,15	0,06991	0,9927	94	367,15	0,8146	0,9624	290	563,15	74,461	0,7321
40	313,15	0,07375	0,9923	95	368,15	0,8453	0,9616	295	568,15	80,037	0,7223
41	314,15	0,07777	0,9919	96	369,15	0,8769	0,9610	300	573,15	85,927	0,7122
42	315,15	0,08198	0,9915	97	370,15	0,9094	0,9602	305	578,15	92,144	0,7017
43	316,15	0,09639	0,9911	98	371,15	0,9430	0,9596	310	583,15	98,70	0,6906
44	317,15	0,09100	0,9907	99	372,15	0,9776	0,9586	315	588,15	105,61	0,6791
45	318,15	0,09582	0,9902	100	373,15	1,0133	0,9581	320	593,15	112,89	0,6669
46	319,15	0,10086	0,9898	102	375,15	1,0878	0,9567	325	598,15	120,56	0,6541
47	320,15	0,10612	0,9894	104	377,15	1,1668	0,9552	330	603,15	128,63	0,6404
48	321,15	0,11162	0,9889	106	379,15	1,2504	0,9537	340	613,15	146,05	0,6102
49	322,15	0,11736	0,9884	108	381,15	1,3390	0,9522	350	623,15	165,35	0,5743
50	323,15	0,12335	0,9880	110	383,15	1,4327	0,9507	360	633,15	186,75	0,5275
51	324,15	0,12961	0,9876	112	385,15	1,5316	0,9491	370	643,15	210,54	0,4518
52	325,15	0,13613	0,9871	114	387,15	1,6362	0,9476	374,15	647,30	221,20	0,3154
53	326,15	0,14293	0,9862	116	389,15	1,7465	0,9460				
54	327,15	0,15002	0,9862	118	391,15	1,8628	0,9445				

G-at_npsb_sc

FLOW RESISTANCE TABLE OF FLOW RESISTANCE IN BENDS, VALVES AND GATES

The flow resistance is calculated using the equivalent pipeline length method according to the table below:

ACCESSORY TYPE	DN											
	25	32	40	50	65	80	100	125	150	200	250	300
	Equivalent pipeline length (m)											
45° bend	0,2	0,2	0,4	0,4	0,6	0,6	0,9	1,1	1,5	1,9	2,4	2,8
90° bend	0,4	0,6	0,9	1,1	1,3	1,5	2,1	2,6	3,0	3,9	4,7	5,8
90° smooth bend	0,4	0,4	0,4	0,6	0,9	1,1	1,3	1,7	1,9	2,8	3,4	3,9
Union tee or cross	1,1	1,3	1,7	2,1	2,6	3,2	4,3	5,3	6,4	7,5	10,7	12,8
Gate	-	-	-	0,2	0,2	0,2	0,4	0,4	0,6	0,9	1,1	1,3
Non return valve	1,1	1,5	1,9	2,4	3,0	3,4	4,7	5,9	7,4	9,6	11,8	13,9

G-a-pcv-en_a_th

The table is valid for the Hazen Williams coefficient $C=100$ (cast iron pipework);

for steel pipework, multiply the values by 1,41;

for stainless steel, copper and coated cast iron pipework, multiply the values by 1,85;

When the **equivalent pipeline length** has been determined, the flow resistance is obtained from the table of flow resistance.

The values given are guideline values which are bound to vary slightly according to the model, especially for gate valves and non-return valves, for which it is a good idea to check the values supplied by manufacturers.

VOLUMETRIC CAPACITY

Litres per minute l/min	Cubic metres per hour m ³ /h	Cubic feet per hour ft ³ /h	Cubic feet per minute ft ³ /min	Imperial gallon per minute Imp. gal/min	U.S. gallon per minute US gal/min
1,000	0,0600	2,1189	0,0353	0,2200	0,2642
16,6667	1,0000	35,3147	0,5886	3,6662	4,4029
0,4719	0,0283	1,0000	0,0167	0,1038	0,1247
28,3168	1,6990	60,0000	1,0000	6,2288	7,4805
4,5461	0,2728	9,6326	0,1605	1,0000	1,2009
3,7854	0,2271	8,0208	0,1337	0,8327	1,0000

PRESSURE AND HEAD

Newton per square metre N/m ²	kilo Pascal kPa	bar bar	Pound force per square inch psi	Metre of water m H ₂ O	Millimetre of mercury mm Hg
1,0000	0,0010	1 x 10 ⁻⁵	1,45 x 10 ⁻⁴	1,02 x 10 ⁻⁴	0,0075
1 000,0000	1,0000	0,0100	0,1450	0,1020	7,5006
1 x 10 ⁵	100,0000	1,0000	14,5038	10,1972	750,0638
6 894,7570	6,8948	0,0689	1,0000	0,7031	51,7151
9 806,6500	9,8067	0,0981	1,4223	1,0000	73,5561
133,3220	0,1333	0,0013	0,0193	0,0136	1,0000

LENGTH

Millimetre mm	Centimetre cm	Metre m	Inch in	Foot ft	Yard yd
1,0000	0,1000	0,0010	0,0394	0,0033	0,0011
10,0000	1,0000	0,0100	0,3937	0,0328	0,0109
1 000,0000	100,0000	1,0000	39,3701	3,2808	1,0936
25,4000	2,5400	0,0254	1,0000	0,0833	0,0278
304,8000	30,4800	0,3048	12,0000	1,0000	0,3333
914,4000	91,4400	0,9144	36,0000	3,0000	1,0000

VOLUME

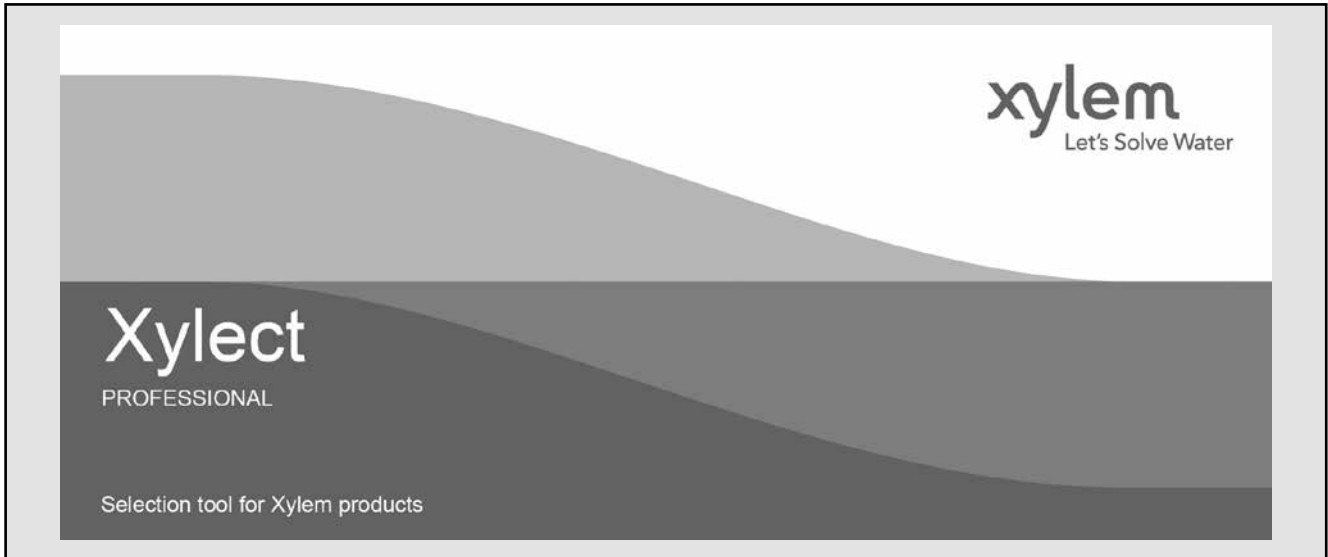
Cubic metre m ³	Litre L	Millilitre ml	Imperial gallon imp. gal.	U.S. gallon US gal.	Cubic foot ft ³
1,0000	1 000,0000	1 x 10 ⁶	219,9694	264,1720	35,3147
0,0010	1,0000	1 000,0000	0,2200	0,2642	0,0353
1 x 10 ⁻⁶	0,0010	1,0000	2,2 x 10 ⁻⁴	2,642 x 10 ⁻⁴	3,53 x 10 ⁻⁵
0,0045	4,5461	4 546,0870	1,0000	1,2009	0,1605
0,0038	3,7854	3 785,4120	0,8327	1,0000	0,1337
0,0283	28,3168	28 316,8466	6,2288	7,4805	1,0000

TEMPERATURE

Water	Kelvin K	Celsius °C	Fahrenheit °F	$^{\circ}\text{F} = ^{\circ}\text{C} \times \frac{9}{5} + 32$ $^{\circ}\text{C} = (^{\circ}\text{F} - 32) \times \frac{5}{9}$
icing	273,1500	0,0000	32,0000	
boiling	373,1500	100,0000	212,0000	

G-at_pp-en_b_sc

FURTHER PRODUCT SELECTION AND DOCUMENTATION Xylect™



Xylect™ is pump solution selection software with an extensive online database of product information across the entire Lowara range of pumps and related products, with multiple search options and helpful project management facilities. The system holds up-to-date product information on thousands of products and accessories.

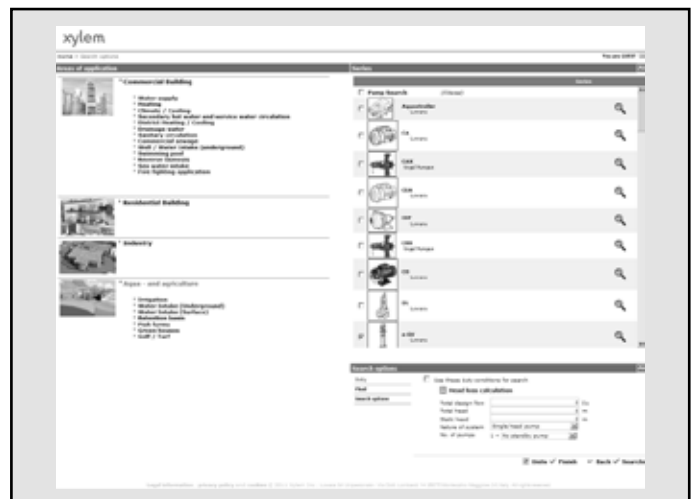
The possibility to search by applications and the detailed information output given makes it easy to make the optimal selection without having detailed knowledge about the Lowara products.

The search can be made by:

- Application
- Product type
- Duty point

Xylect™ gives a detailed output:

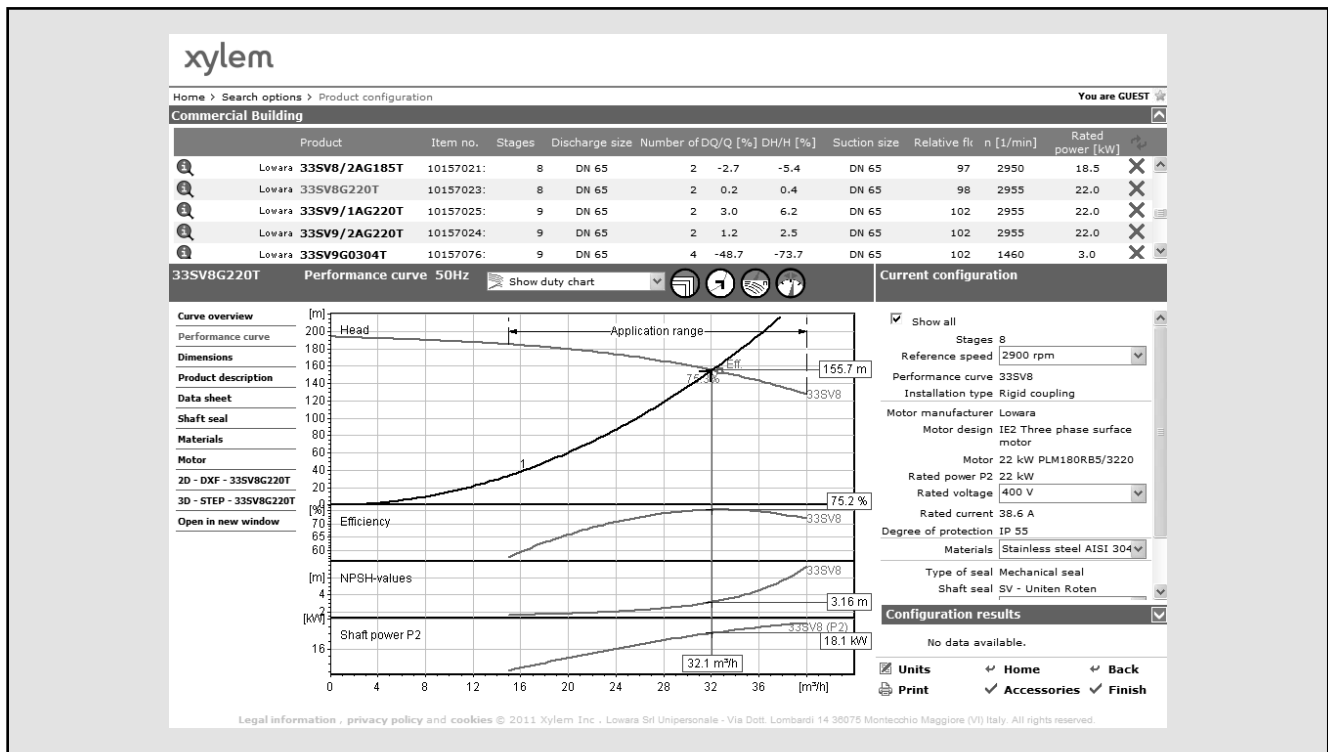
- List with search results
- Performance curves (flow, head, power, efficiency, NPSH)
- Motor data
- Dimensional drawings
- Options
- Data sheet printouts
- Document downloads incl dxf files



The search by application guides users not familiar with the product range to the right choice.

FURTHER PRODUCT SELECTION AND DOCUMENTATION

Xylect™



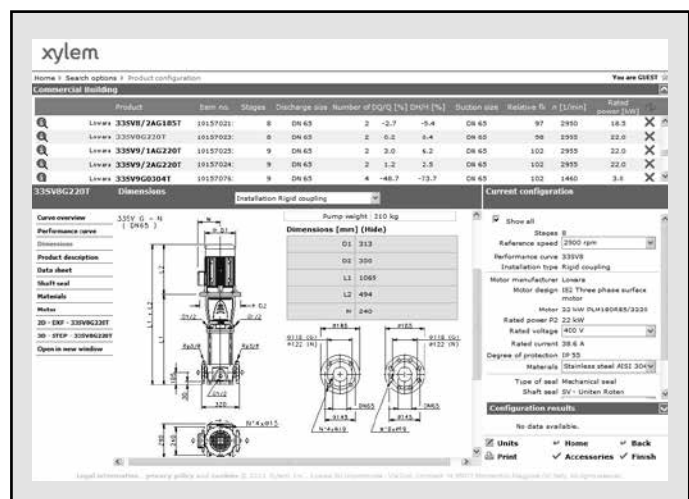
The detailed output makes it easy to select the optimal pump from the given alternatives.

The best way to work with Xylect™ is to create a personal account. This makes it possible to:

- Set own standard units
- Create and save projects
- Share projects with other Xylect™ users

Every user has a My Xylect space, where all projects are saved.

For more information about Xylect™ please contact our sales network or visit www.xylect.com.



Dimensional drawings appear on the screen and can be downloaded in dxf format.

Xylem |'zīləm|

- 1) The tissue in plants that brings water upward from the roots;
- 2) a leading global water technology company.

We're a global team unified in a common purpose: creating innovative solutions to meet our world's water needs. Developing new technologies that will improve the way water is used, conserved, and re-used in the future is central to our work. We move, treat, analyze, and return water to the environment, and we help people use water efficiently, in their homes, buildings, factories and farms. In more than 150 countries, we have strong, long-standing relationships with customers who know us for our powerful combination of leading product brands and applications expertise, backed by a legacy of innovation.

For more information on how Xylem can help you, go to xylem.com.



Legal head office
Xylem Water Solutions Italia Srl

Via Gioacchino Rossini 1/A
20020 - Lainate (MI) - Italy
Tel. (+39) 02 90358.1
Fax (+39) 02 9019990
www.xylemwatersolutions.com

For information and technical support
Xylem Service Italia Srl

Via Dottor Vittorio Lombardi 14
36075 - Montecchio Maggiore (VI) - Italy
Tel. (+39) 0444 707111
Fax (+39) 0444 491043
www.lowara.com

Xylem Water Solutions Italia Srl reserves the right to make modification without prior notice.
Lowara, Xylem are trademarks of Xylem Inc. or one of its subsidiaries
© 2015 Xylem, Inc.